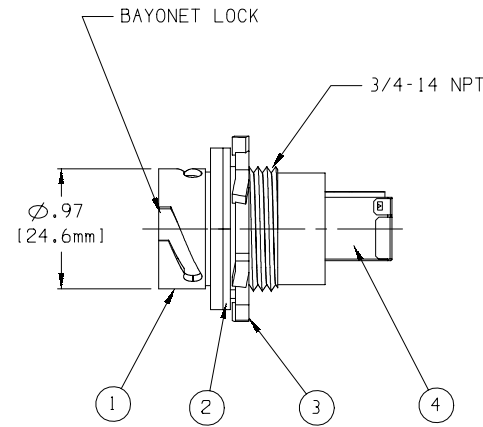
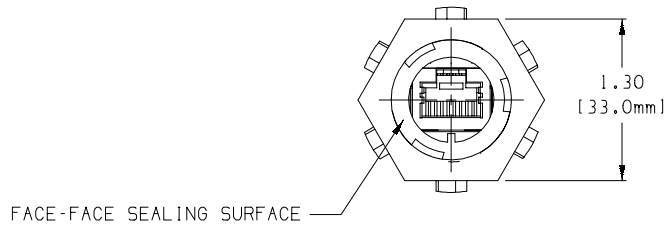
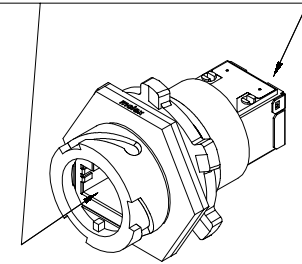


RJ-45 JACK
(SHIELDED)



PROJECT NO. E-620	1	-
DIMENSIONS:	SHT	REV
<input type="checkbox"/> mm <input checked="" type="checkbox"/> INCH	<input type="checkbox"/> mm <input checked="" type="checkbox"/> mm	<input type="checkbox"/> mm ONLY REVISE ON CAD ONLY

EC NO. RELEASED DRWN: R.STONE CHK: CH'K: APPR: APPR:	DESCRIPTION MAJOR CRITICAL SPC	GENERAL TOLERANCES: (UNLESS SPECIFIED)		SCALE 1:1	DESIGN UNITS <input type="checkbox"/> mm <input checked="" type="checkbox"/> INCH	THIRD ANGLE PROJECTION	
		mm	INCH	DRAWN BY & DATE R.STONE 5-14-02	TITLE: RECEPTACLE, RJ45, BULKHEAD CIC INDUSTRIAL ETHERNET		
		4 PLACES		CHECKED BY & DATE	APPROVED BY & DATE		
		3 PLACES	±.005	CAD FILENAME SD-84700-0001		MATERIAL NO. 847000001	DRAWING NO. SD-84700-0001
		2 PLACES	±.01	ANGULAR: ±2°		THIS DRAWING CONTAINS INFORMATION THAT IS PROPRIETARY TO MOLEX INCORPORATED AND SHOULD NOT BE USED WITHOUT WRITTEN PERMISSION.	
		1 PLACE	±.1	DRAFT WHERE APPLICABLE MUST REMAIN WITHIN DIMENSIONS		SIZE B	

MOLEX GILFORD, NH, 03246	THIS DRAWING CONTAINS INFORMATION THAT IS PROPRIETARY TO MOLEX INCORPORATED AND SHOULD NOT BE USED WITHOUT WRITTEN PERMISSION.		SIZE B
-----------------------------	---	--	-----------

ITEM	QTY.	DESCRIPTION	MATERIAL	FINISH
4	1	PCB ASSEMBLY, DUAL RECEPTACLE	PCB/MOD.JACK	
3	1	LOCKNUT	STEEL	ZINC
2	1	GASKET, PANEL	NEOPRENE	
1	1	RECEPTACLE, MOLDED	POLYESTER	BLACK