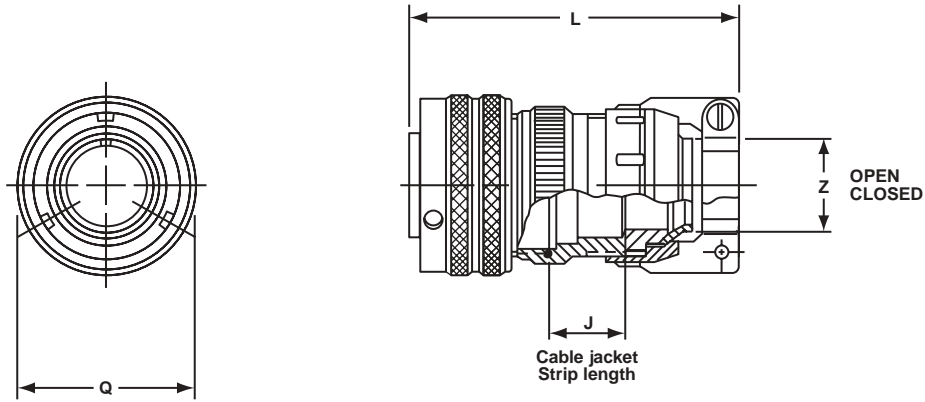


GT06CF

straight plug

- With a cable clamp and seal
- For use with jacketed cable
- Environment proof



Inches

| Shell Size | J Approx. | L Approx. | Q Max. | Z | |
|------------|-----------|-----------|--------|-------|--------|
| | | | | Open | Closed |
| 10SL | .551 | 2.752 | .898 | .312 | .094 |
| 14S | .732 | 2.898 | 1.150 | .438 | .230 |
| 16S | .732 | 2.898 | 1.260 | .531 | .315 |
| 16 | .653 | 3.216 | 1.260 | .531 | .315 |
| 18 | .705 | 3.307 | 1.437 | .625 | .378 |
| 20 | .705 | 3.311 | 1.571 | .748 | .445 |
| 22 | .744 | 3.350 | 1.697 | .748 | .445 |
| 24 | .689 | 3.484 | 1.835 | .937 | .610 |
| 28 | .921 | 3.736 | 2.102 | .937 | .610 |
| 32 | 1.016 | 4.142 | 2.366 | 1.250 | .921 |
| 36 | 1.031 | 4.390 | 2.610 | 1.378 | .921 |
| 40 | 1.614 | 4.640 | 2.854 | 1.624 | 1.177 |

Millimeters

| Shell Size | J Approx. | L Approx. | Q Max. | Z | |
|------------|-----------|-----------|--------|-------|--------|
| | | | | Open | Closed |
| 10SL | 14.0 | 69.6 | 22.8 | 7.93 | 2.38 |
| 14S | 18.6 | 73.6 | 29.2 | 11.12 | 5.84 |
| 16S | 18.6 | 73.6 | 32.0 | 13.48 | 8.00 |
| 16 | 16.6 | 81.7 | 32.0 | 13.48 | 8.00 |
| 18 | 17.9 | 84.0 | 36.5 | 15.87 | 9.60 |
| 20 | 17.9 | 84.1 | 39.9 | 19.00 | 11.30 |
| 22 | 18.9 | 85.1 | 43.1 | 19.00 | 11.30 |
| 24 | 17.5 | 88.5 | 46.6 | 23.80 | 15.50 |
| 28 | 23.4 | 94.9 | 53.4 | 23.80 | 15.50 |
| 32 | 25.8 | 105.2 | 60.1 | 31.75 | 23.40 |
| 36 | 26.2 | 111.5 | 66.3 | 35.00 | 23.40 |
| 40 | 41.0 | 111.5 | 72.5 | 41.25 | 29.90 |

All dimensions for reference only.