

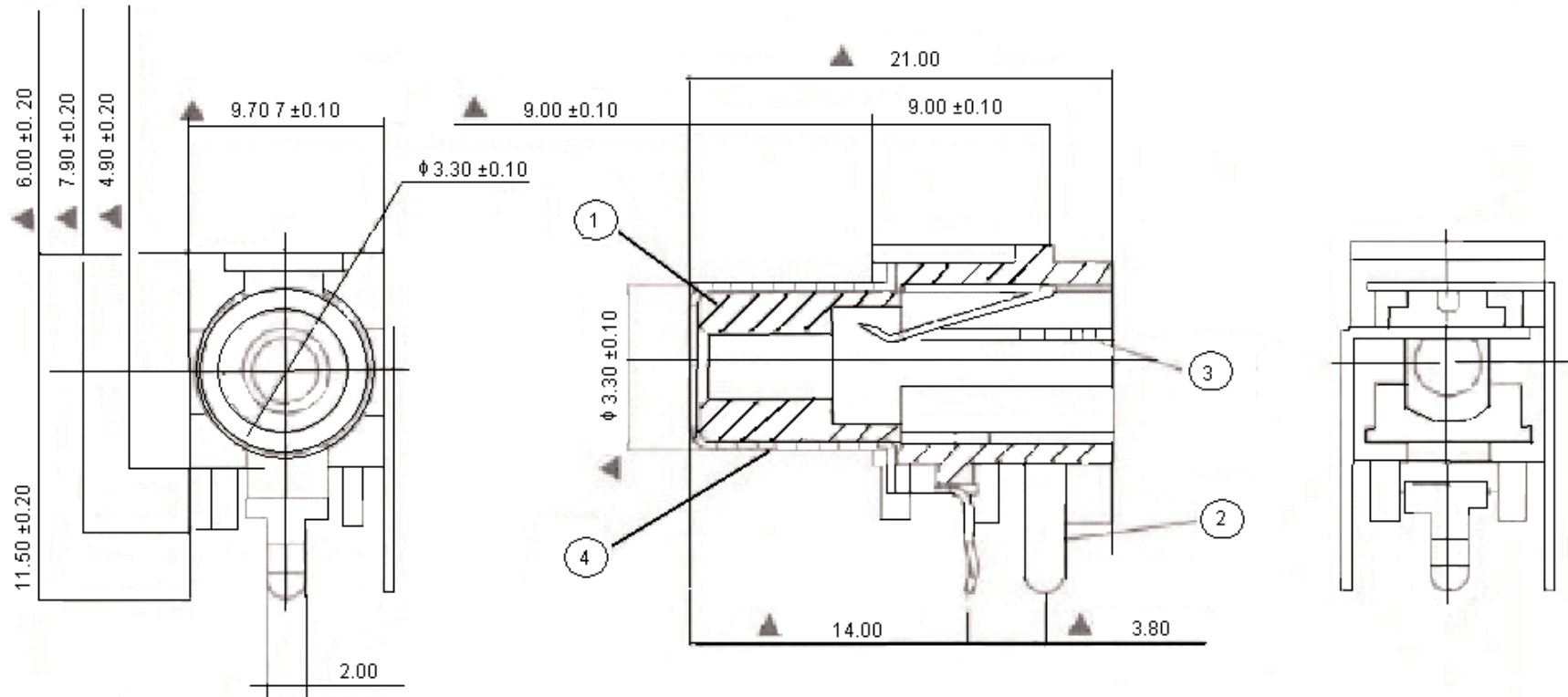
PART NO.

PSG01543

REVISIONS

ECN #	REV	DESCRIPTION	DRAWN	DATE	CHECKD	DATE	APPRVD	DATE
-	A	RELEASED	Veena	18/4/08	Suresh	18/4/08	G. C	02/5/08

Schematic	
Model No	V



Dimensions : Millimetres

This data sheet and its contents (the "Information") belong to the Premier Farnell Group (the "Group") or are licensed to it. No licence is granted for the use of it other than for information purposes in connection with the products to which it relates. No licence of any intellectual property rights is granted. The Information is subject to change without notice and replaces all data sheets previously supplied. The Information supplied is believed to be accurate but the Group assumes no responsibility for its accuracy or completeness, any error in or omission from it or for any use made of it. Users of this data sheet should check for themselves the Information and the suitability of the products for their purpose and not make any assumptions based on information included or omitted. Liability for loss or damage resulting from any reliance on the Information or use of it (including liability resulting from negligence or where the Group was aware of the possibility of such loss or damage arising) is excluded. This will not operate to limit or restrict the Group's liability for death or personal injury resulting from its negligence. SPC pro-SIGNAL is the registered trademark of the Group. © Premier Farnell plc 2008.

TOLERANCES:
UNLESS OTHERWISE SPECIFIED, DIMENSIONS ARE FOR REFERENCE PURPOSES ONLY.

DRAWN BY:	DATE:
Veena	18/04/08
CHECKED BY:	DATE:
Suresh	18/04/08
APPROVED BY:	DATE:
G.Cook	02/05/08

DRAWING TITLE:

Phono Socket - PCB White

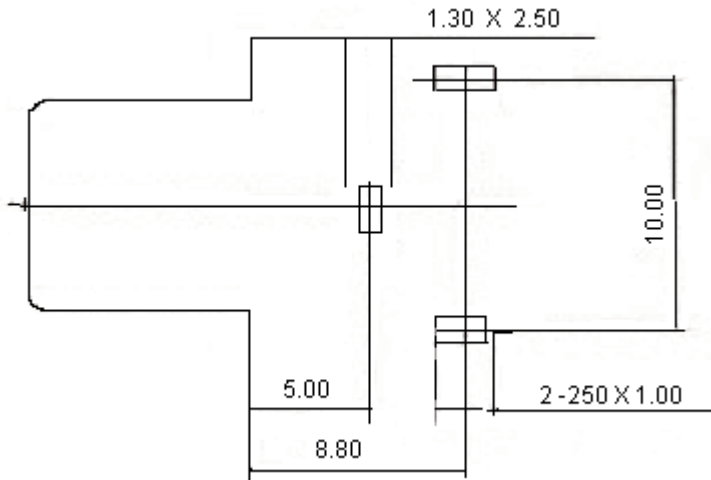
SIZE A	DWG NO.	ELECTRONIC FILE 1280787_DWG	REV A
SCALE: NTS	U.O.M.: mm	SHEET: 1 OF 2	

PART NO.

PSG01543

REVISIONS

ECN #	REV	DESCRIPTION	DRAWN	DATE	CHECKD	DATE	APPRVD	DATE
-	A	RELEASED	Veena	18/4/08	Suresh	18/4/08	G. C	02/5/08



Pin Hole Layout
Jack Bottom View

Dimensions : Millimetres

Specifications:

- Maximum contact resistance : 30mΩ.
- Minimum insulation resistance : 100MΩ. at 500V dc.
- Dielectric withstand voltage : 500V ac for one minute.

Specifications Table

Number	Description	Material	Material Thickness	Finish	Part Number
1	Plastic Body	PBT	-	Black Color	PSG01543
2	Break Terminal	Brass	0.5	Silver Plated	
3	Spring Terminal	Phosphor Bronze	0.3		
4	Barrel (Sleeve)	Brass	0.4	Nickel Plated	

2.5mm Stereo <http://www.farnell.com>

<http://www.newark.com>

<http://www.cpc.co.uk>

This data sheet and its contents (the "Information") belong to the Premier Farnell Group (the "Group") or are licensed to it. No licence is granted for the use of it other than for information purposes in connection with the products to which it relates. No licence of any intellectual property rights is granted. The Information is subject to change without notice and replaces all data sheets previously supplied. The Information supplied is believed to be accurate but the Group assumes no responsibility for its accuracy or completeness, any error in or omission from it or for any use made of it. Users of this data sheet should check for themselves the Information and the suitability of the products for their purpose and not make any assumptions based on information included or omitted. Liability for loss or damage resulting from any reliance on the Information or use of it (including liability resulting from negligence or where the Group was aware of the possibility of such loss or damage arising) is excluded. This will not operate to limit or restrict the Group's liability for death or personal injury resulting from its negligence. SPC pro-SIGNAL is the registered trademark of the Group. © Premier Farnell plc 2008.

**TOLERANCES:
UNLESS OTHERWISE SPECIFIED, DIMENSIONS ARE FOR REFERENCE PURPOSES ONLY.**

DRAWN BY:	DATE:
Veena	18/04/08
CHECKED BY:	DATE:
Suresh	18/04/08
APPROVED BY:	DATE:
G.Cook	02/05/08

DRAWING TITLE:

Phono Socket - PCB White

SIZE A	DWG NO.	ELECTRONIC FILE 1280787_DWG	REV A
SCALE: NTS		U.O.M.: mm	SHEET: 2 OF 2