

**SYSMAC
CPM2C**

Programmable Controller

OPERATION MANUAL

OMRON

CPM2C Programmable Controller


Operation Manual


Revised January 2000


Notice:

OMRON products are manufactured for use according to proper procedures by a qualified operator and only for the purposes described in this manual.

The following conventions are used to indicate and classify precautions in this manual. Always heed the information provided with them. Failure to heed precautions can result in injury to people or damage to property.

 **DANGER** Indicates an imminently hazardous situation which, if not avoided, will result in death or serious injury.

 **WARNING** Indicates a potentially hazardous situation which, if not avoided, could result in death or serious injury.

 **Caution** Indicates a potentially hazardous situation which, if not avoided, may result in minor or moderate injury, or property damage.

OMRON Product References

All OMRON products are capitalized in this manual. The word “Unit” is also capitalized when it refers to an OMRON product, regardless of whether or not it appears in the proper name of the product.

The abbreviation “Ch,” which appears in some displays and on some OMRON products, often means “word” and is abbreviated “Wd” in documentation in this sense.

The abbreviation “PC” means Programmable Controller and is not used as an abbreviation for anything else.

Visual Aids

The following headings appear in the left column of the manual to help you locate different types of information.

Note Indicates information of particular interest for efficient and convenient operation of the product.

1, 2, 3... 1. Indicates lists of one sort or another, such as procedures, checklists, etc.

© OMRON, 1999

All rights reserved. No part of this publication may be reproduced, stored in a retrieval system, or transmitted, in any form, or by any means, mechanical, electronic, photocopying, recording, or otherwise, without the prior written permission of OMRON.

No patent liability is assumed with respect to the use of the information contained herein. Moreover, because OMRON is constantly striving to improve its high-quality products, the information contained in this manual is subject to change without notice. Every precaution has been taken in the preparation of this manual. Nevertheless, OMRON assumes no responsibility for errors or omissions. Neither is any liability assumed for damages resulting from the use of the information contained in this publication.

TABLE OF CONTENTS

PRECAUTIONS	xi
1 Intended Audience	xii
2 General Precautions	xii
3 Safety Precautions	xii
4 Operating Environment Precautions	xiii
5 Application Precautions	xiv
6 EC Directives	xvi
SECTION 1	
Introduction	1
1-1 CPM2C Features and Functions	2
1-2 System Configurations	7
1-3 Structure and Operation	11
1-4 Functions Listed by Usage	18
1-5 Comparison with the CPM1A and CPM2A	20
1-6 Preparation for Operation	27
SECTION 2	
Unit Components and Specifications	29
2-1 Specifications	30
2-2 Unit Components	40
SECTION 3	
Installation and Wiring	59
3-1 Design Precautions	60
3-2 Selecting an Installation Site	61
3-3 Installing the CPM2C	62
3-4 Wiring and Connections	65
SECTION 4	
Using Programming Devices	103
4-1 SYSMAC-CPT Support Software	104
4-2 SYSMAC Support Software (SSS)	111
4-3 Using a Programming Console	114
4-4 Programming Console Operations	122
4-5 Programming Example	145
SECTION 5	
Test Runs and Error Processing	151
5-1 Initial System Checks and Test Run Procedure	152
5-2 Self-diagnostic Functions	153
5-3 Programming Console Operation Errors	156
5-4 Programming Errors	156
5-5 Troubleshooting Flowcharts	158
5-6 Maintenance Inspections	166
5-7 Battery Replacement	167
SECTION 6	
Expansion Memory Unit	169
6-1 Overview	170
6-2 Specifications and Nomenclature	171
6-3 Handling	172

TABLE OF CONTENTS

Appendices

A Standard Models	179
B Dimensions	185

Index	191
--------------------	------------

Revision History	197
-------------------------------	------------

About this Manual:

The CPM2C is a compact, high-speed Programmable Controller (PC) designed for control operations in systems requiring from 10 to 120 I/O points per PC. There are two manuals describing the setup and operation of the CPM2C: The *CPM2C Operation Manual* (this manual) and the *CPM1/CPM1A/CPM2A/CPM2C/SRM1(-V2) Programming Manual* (W353). (The *CPM1/CPM1A/CPM2A/CPM2C/SRM1(-V2) Programming Manual* is referred to as simply the *Programming Manual* in this manual.)

This manual describes the system configuration and installation of the CPM2C and provides a basic explanation of operating procedures for the Programming Consoles. It also introduces the capabilities of the SYSMAC Support Software (SSS) and SYSMAC-CPT Support Software. Read this manual first to acquaint yourself with the CPM2C.

The *Programming Manual* (W353) provides detailed descriptions of the CPM2C's programming functions. The *SYSMAC Support Software Operation Manuals: Basics and C-series PCs* (W247 and W248) provide descriptions of SSS operations for the CPM2C and other SYSMAC C-series PCs. The *SYSMAC-CPT Support Software Quick Start Guide* (W332) and *User Manual* (W333) provide descriptions of ladder diagram operations in the Windows environment. The *CX-Programmer User Manual* (W361) and the *CX-Server User Manual* (W362) provide details of operations for the WS02-CXPC1-E CX-Programmer.

Please read this manual carefully and be sure you understand the information provided before attempting to install and operate the CPM2C.

Section 1 gives a brief overview of the steps involved in developing of a CPM2C System, describes the possible system configurations, and describes the CPM2C's special features and functions.

Section 2 provides the technical specifications of the Units that go together to create a CPM2C PC and describes the main components of the Units.

Section 3 describes how to install and wire a CPM2C PC.

Section 4 describes SYSMAC and SYSMAC-CPT Support Software capabilities, how to connect the Programming Console, and how to perform the various programming operations.

Section 5 describes how to perform a test run and how to diagnose and correct the hardware and software errors that can occur during PC operation.

Section 6 describes how to use the CPM1-EMU01-V1 Expansion Memory Unit.

Appendix A provides tables of CPM2C Units and related products.

Appendix B provides the dimensions of CPM2C Units.



WARNING Failure to read and understand the information provided in this manual may result in personal injury or death, damage to the product, or product failure. Please read each section in its entirety and be sure you understand the information provided in the section and related sections before attempting any of the procedures or operations given.

PRECAUTIONS

This section provides general precautions for using the Programmable Controller (PC) and related devices.

The information contained in this section is important for the safe and reliable application of the Programmable Controller. You must read this section and understand the information contained before attempting to set up or operate a PC system.

1 Intended Audience	xii
2 General Precautions	xii
3 Safety Precautions	xii
4 Operating Environment Precautions	xiii
5 Application Precautions	xiv
6 EC Directives	xvi

1 Intended Audience

This manual is intended for the following personnel, who must also have knowledge of electrical systems (an electrical engineer or the equivalent).

- Personnel in charge of installing FA systems.
- Personnel in charge of designing FA systems.
- Personnel in charge of managing FA systems and facilities.


2 General Precautions

The user must operate the product according to the performance specifications described in the operation manuals.


Before using the product under conditions which are not described in the manual or applying the product to nuclear control systems, railroad systems, aviation systems, vehicles, combustion systems, medical equipment, amusement machines, safety equipment, and other systems, machines, and equipment that may have a serious influence on lives and property if used improperly, consult your OMRON representative.


Make sure that the ratings and performance characteristics of the product are sufficient for the systems, machines, and equipment, and be sure to provide the systems, machines, and equipment with double safety mechanisms.


This manual provides information for programming and operating the Unit. Be sure to read this manual before attempting to use the Unit and keep this manual close at hand for reference during operation.


 **WARNING** It is extremely important that a PC and all PC Units be used for the specified purpose and under the specified conditions, especially in applications that can directly or indirectly affect human life. You must consult with your OMRON representative before applying a PC System to the above-mentioned applications.


3 Safety Precautions

 **WARNING** Connect the ground terminal of the Power Supply Unit (CPM2C-PA201) to a ground or 100 Ω or less. Not doing so may result in electric shock.

 **WARNING** Do not attempt to take any Unit apart while the power is being supplied. Doing so may result in electric shock.


 **WARNING** Do not touch any of the terminals or terminal blocks while the power is being supplied. Doing so may result in electric shock.


 **WARNING** Do not attempt to disassemble, repair, or modify any Units. Any attempt to do so may result in malfunction, fire, or electric shock.


 **WARNING** Provide safety measures in external circuits (i.e., not in the Programmable Controller), including the following items, in order to ensure safety in the system if an abnormality occurs due to malfunction of the PC or another external factor affecting the PC operation. Not doing so may result in serious accidents.


- Emergency stop circuits, interlock circuits, limit circuits, and similar safety measures must be provided in external control circuits.


- The PC will turn OFF all outputs when its self-diagnosis function detects any error or when a severe failure alarm (FALS) instruction is executed. As a countermeasure for such errors, external safety measures must be provided to ensure safety in the system.
- The PC outputs may remain ON or OFF due to deposition or burning of the output relays or destruction of the output transistors. As a countermeasure for such problems, external safety measures must be provided to ensure safety in the system.
- If the 24-VDC output (service power supply) of the Power Supply Unit (CPM2C-PA201) is overloaded or shorted, the voltage may drop causing outputs to turn OFF. External safety measures must be provided to ensure safety in the system in such an event.

 **WARNING** When handling the Memory Backup Battery, never drop, disassemble, distort, short-circuit, recharge, heat to a temperature exceeding 100°C, or throw into fire. Otherwise the Battery may explode, catch fire, or leak fluid.


 **WARNING** When transferring programs to other nodes, or when making changes to I/O memory, confirm the safety of the destination node before transfer. Not doing so may result in injury.

 **Caution** Execute online edit only after confirming that no adverse effects will be caused by extending the cycle time. Otherwise, the input signals may not be readable.


 **Caution** Tighten the screws on the terminal block of the Power Supply Unit (CPM2C-PA201) to a torque of 0.74 to 0.9 N•m. Loose screws may result in burning or malfunction.

 **Caution** Do not connect the 24-VDC output (service power supply) or the Power Supply Unit (CPM2C-PA201) to an AC power supply. Connecting it to an AC power supply will damage the internal circuit.

4 Operating Environment Precautions


 **Caution** Do not operate the control system in the following places:

- Locations subject to direct sunlight.
- Locations subject to temperatures or humidity outside the range specified in the specifications.
- Locations subject to condensation as the result of severe changes in temperature.
- Locations subject to corrosive or flammable gases.
- Locations subject to dust (especially iron dust) or salts.
- Locations subject to exposure to water, oil, or chemicals.
- Locations subject to shock or vibration.

 **Caution** Take appropriate and sufficient countermeasures when installing systems in the following locations:


- Locations subject to static electricity or other forms of noise.

- Locations subject to strong electromagnetic fields.
- Locations subject to possible exposure to radioactivity.
- Locations close to power supplies.


 **Caution** The operating environment of the PC System can have a large effect on the longevity and reliability of the system. Improper operating environments can lead to malfunction, failure, and other unforeseeable problems with the PC System. Be sure that the operating environment is within the specified conditions at installation and remains within the specified conditions during the life of the system.

5 Application Precautions

Observe the following precautions when using the PC System.

 **WARNING** Always heed these precautions. Failure to abide by the following precautions could lead to serious or possibly fatal injury.

- Always connect to a ground such that the grounding resistance does not exceed 100 Ω when installing the Units. Not connecting to the correct ground may result in electric shock.
- Always turn OFF the power supply to the PC before attempting any of the following. Not turning OFF the power supply may result in malfunction or electric shock.
 - Assembling the Units.
 - Connecting or disconnecting the Expansion I/O Units or Expansion Units.
 - Connecting or wiring the cables.
 - Connecting or disconnecting the connectors.
 - Setting DIP switches.
 - Replacing the battery

 **Caution** Failure to abide by the following precautions could lead to faulty operation of the PC or the system, or could damage the PC or PC Units. Always heed these precautions.

- Fail-safe measures must be taken by the customer to ensure safety in the event of incorrect, missing, or abnormal signals caused by broken signal lines, momentary power interruptions, or other causes.
- Emergency stop circuits, interlock circuits, limit circuits, and similar safety measures must be provided in external control circuits.
- Construct a control circuit so that power supply for the I/O circuits does not come ON before power supply for the Unit. If power supply for the I/O circuits comes ON before power supply for the Unit, normal operation may be temporarily interrupted.
- If the operating mode is changed from RUN or MONITOR mode to PROGRAM mode, with the IOM Hold Bit ON, the output will hold the most recent status. In such a case, ensure that the external load does not exceed specifications. (If operation is stopped because of an operation error (including FALS instructions), the values in the internal memory of the CPU Unit will be saved, but the outputs will all turn OFF.)
- For models with only the super-capacitor installed, the contents of the READ/WRITE enable area of the DM area, HR area, AR area, and CNT data area may be damaged if the power is turned OFF for a long time. To prevent such damage, provide ladder program that will check AR 1314 in order to ensure proper operation of the system.

- The life of relays largely varies depending on switching conditions. Be sure to test operating conditions using actual Units and use the product within the specified number of switchings so as not to cause any performance problems. Using the product with performance problems may result in defective insulation between circuits or burning of the relays.
- Install the Units properly so that they will not fall off.
- Be sure that all the mounting screws, terminal screws, and cable connector screws are tightened to the torque specified in the relevant manuals. Incorrect tightening torque may result in malfunction.
- Be sure that the terminal blocks and other items with locking devices are properly locked into place. Improper locking may result in malfunction.
- Be sure that terminal blocks and connectors are connected in the specified direction with the correct polarity. Not doing so may result in malfunction.
- Use the Unit with the battery housing cover in place to prevent dust or foreign matter from entering inside the Unit. Not doing so may result in malfunction.
- Install the expansion I/O connector cover to the last Unit (Expansion Unit or Expansion I/O Unit) to prevent dust or foreign matter from entering inside the Unit. Not doing so may result in malfunction.
- Be sure to attach the labels supplied with the CPM2C or provide other protective covers when wiring in order to prevent dust or wiring cuttings from entering the Unit.
- Remove the label after the completion of wiring to ensure proper heat dissipation. Leaving the label attached may result in malfunction.
- Use round crimp terminals for wiring the Power Supply Unit (CPM2C-PA201). Do not connect bare stranded wires directly to terminals. Connection of bare stranded wires may result in burning.
- Be sure to perform wiring in accordance with the CPM2C Operation Manual. Incorrect wiring may result in burning.
- Use specified connectors and wiring materials (connector models: C500-CE241/C500-CE242/C500-CE243; terminal block models: AWG28-16 with stripped length of 7 mm; Power Supply Unit terminal block: AWG22-14 with stripped length of 7 mm).
- Do not apply voltages to the input terminals in excess of the rated input voltage. Excess voltages may result in burning.
- Do not apply voltages or connect loads to the output terminals in excess of the maximum switching capacity. Excess voltage or loads may result in burning.
- Install external breakers and take other safety measures against short-circuiting in external wiring. Insufficient safety measures against short-circuiting may result in burning.
- Always use the power supply voltage specified in the operation manuals. An incorrect voltage may result in malfunction or burning.
- Check the user program for proper execution before actually running it on the Unit. Not checking the program may result in an unexpected operation.
- Double-check all wiring and switch settings before turning ON the power supply. Incorrect wiring or switch settings may result in burning.
- Confirm that no adverse effect will occur in the system before attempting any of the following. Not doing so may result in an unexpected operation.
 - Changing the operating mode of the PC.
 - Force-setting/force-resetting any bit in memory.
 - Changing the present value of any word or any set value in memory.
- Before touching the Unit, be sure to first touch a grounded metallic object in order to discharge any static built-up. Not doing so may result in malfunction or damage.

- Do not pull on the cables or bend the cables beyond their natural limit. Doing either of these may break the cables.
- Do not apply forces exceeding 50 N to connector sections.
- Do not place objects on top of the cables. Doing so may break the cables.
- Resume operation only after transferring to the new CPU Unit the contents of the DM and HR Areas required for resuming operation. Not doing so may result in an unexpected operation.
- Install the Unit properly as specified in the operation manual. Improper installation of the Unit may result in malfunction.
- When transporting the Units, use special packing boxes. Be careful not to apply excessive vibration or shock during transportation and not to drop the product.
- Store the Units within the following temperature and humidity ranges:
Storage temperature: -20 to 75°C, storage humidity: 10% to 90% (with no icing or condensation)
- When using a thermocouple-input Temperature Sensor Unit, do not touch the cold junction compensator. Doing so may result in incorrect temperature measurement.

6 EC Directives

6-1 Applicable Directives

- EMC Directives
- Low Voltage Directive

6-2 Concepts

EMC Directives

OMRON devices that comply with EC Directives also conform to the related EMC standards so that they can be more easily built into other devices or the overall machine. The actual products have been checked for conformity to EMC standards (see the following note). Whether the products conform to the standards in the system used by the customer, however, must be checked by the customer.

EMC-related performance of the OMRON devices that comply with EC Directives will vary depending on the configuration, wiring, and other conditions of the equipment or control panel on which the OMRON devices are installed. The customer must, therefore, perform the final check to confirm that devices and the overall machine conform to EMC standards.

Note Applicable EMC (Electromagnetic Compatibility) standards are as follows:

EMS (Electromagnetic Susceptibility): EN61131-2
 EMI (Electromagnetic Interference): EN50081-2
 (Radiated emission: 10-m regulations)

Low Voltage Directive

Always ensure that devices operating at voltages of 50 to 1,000 VAC and 75 to 1,500 VDC meet the required safety standards for the PC (EN61131-2).

6-3 Conformance to EC Directives

The CPM2C PCs comply with EC Directives. To ensure that the machine or device in which the CPM2C PC is used complies with EC Directives, the PC must be installed as follows:

- 1, 2, 3...**
1. The CPM2C PC must be installed within a control panel.
 2. Reinforced insulation or double insulation must be used for the DC power supplies used for the communications and I/O power supplies.

3. CPM2C PCs complying with EC Directives also conform to the Common Emission Standard (EN50081-2). Radiated emission characteristics (10-m regulations) may vary depending on the configuration of the control panel used, other devices connected to the control panel, wiring, and other conditions. You must therefore confirm that the overall machine or equipment complies with EC Directives.

6-4 Relay Output Noise Reduction Methods

The CPM2C PCs conform to the Common Emission Standards (EN50081-2) of the EMC Directives. However, the noise generated when the PC is switched ON or OFF using the relay output may not satisfy these standards. In such a case, a noise filter must be connected to the load side or other appropriate countermeasures must be provided external to the PC.

Countermeasures taken to satisfy the standards vary depending on the devices on the load side, wiring, configuration of machines, etc. Following are examples of countermeasures for reducing the generated noise.

Countermeasures

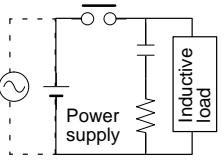
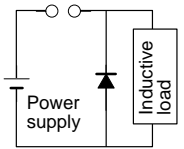
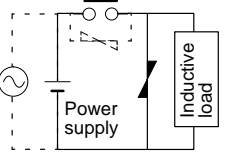
(Refer to EN50081-2 for more details.)

Countermeasures are not required if the frequency of load switching for the whole system with the PC included is less than 5 times per minute.

Countermeasures are required if the frequency of load switching for the whole system with the PC included is 5 times or more per minute.

Countermeasure Examples

When switching an inductive load, connect a surge protector, diodes, etc., in parallel with the load or contact as shown below.

Circuit	Current		Characteristic	Required element
	AC	DC		
<p>CR method</p> 	Yes	Yes	<p>If the load is a relay or solenoid, there is a time lag between the moment the circuit is opened and the moment the load is reset.</p> <p>If the supply voltage is 24 to 48 V, insert the surge protector in parallel with the load. If the supply voltage is 100 to 200 V, insert the surge protector between the contacts.</p>	<p>The capacitance of the capacitor must be 1 to 0.5 μF per contact current of 1 A and resistance of the resistor must be 0.5 to 1 Ω per contact voltage of 1 V. These values, however, vary with the load and the characteristics of the relay. Decide these values from experiments, and take into consideration that the capacitance suppresses spark discharge when the contacts are separated and the resistance limits the current that flows into the load when the circuit is closed again.</p> <p>The dielectric strength of the capacitor must be 200 to 300 V. If the circuit is an AC circuit, use a capacitor with no polarity.</p>
<p>Diode method</p> 	No	Yes	<p>The diode connected in parallel with the load changes energy accumulated by the coil into a current, which then flows into the coil so that the current will be converted into Joule heat by the resistance of the inductive load.</p> <p>This time lag, between the moment the circuit is opened and the moment the load is reset, caused by this method is longer than that caused by the CR method.</p>	<p>The reversed dielectric strength value of the diode must be at least 10 times as large as the circuit voltage value. The forward current of the diode must be the same as or larger than the load current.</p> <p>The reversed dielectric strength value of the diode may be two to three times larger than the supply voltage if the surge protector is applied to electronic circuits with low circuit voltages.</p>
<p>Varistor method</p> 	Yes	Yes	<p>The varistor method prevents the imposition of high voltage between the contacts by using the constant voltage characteristic of the varistor. There is time lag between the moment the circuit is opened and the moment the load is reset.</p> <p>If the supply voltage is 24 to 48 V, insert the varistor in parallel with the load. If the supply voltage is 100 to 200 V, insert the varistor between the contacts.</p>	---

SECTION 1

Introduction

This section describes the CPM2C's special features and functions, shows the possible system configurations, and outlines the steps required before operation. Read this section first when using the CPM2C for the first time.

Refer to the *CPM1/CPM1A/CPM2A/CPM2C/SRM1(-V2) Programming Manual (W353)* for details on programming operations.

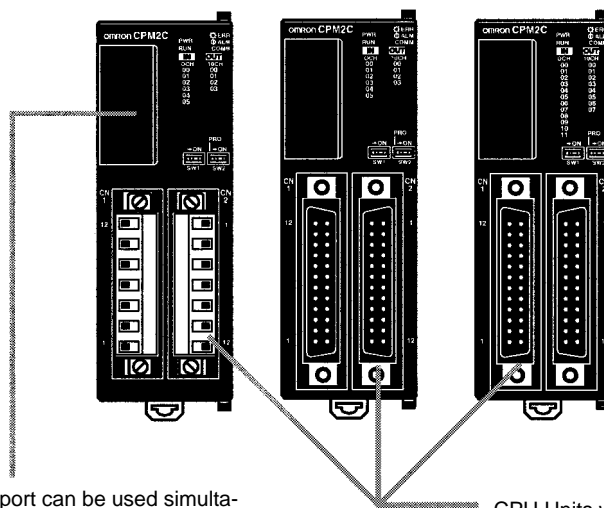
1-1	CPM2C Features and Functions	2
1-1-1	CPM2C Features	2
1-1-2	Overview of CPM2C Functions	6
1-2	System Configurations	7
1-2-1	Stand-alone CPU Units	7
1-2-2	Power Supply Unit	8
1-2-3	CPU Unit, Expansion Units, and Expansion I/O Units	8
1-3	Structure and Operation	11
1-3-1	CPU Unit Structure	11
1-3-2	Operating Modes	12
1-3-3	Operating Mode at Startup	12
1-3-4	PC Operation at Startup	13
1-3-5	Cyclic Operation and Interrupts	14
1-4	Functions Listed by Usage	18
1-5	Comparison with the CPM1A and CPM2A	20
1-6	Preparation for Operation	27

1-1 CPM2C Features and Functions

1-1-1 CPM2C Features

The CPM2C PCs incorporate a variety of features in a compact Unit, including synchronized pulse control, interrupt inputs, pulse outputs, and a clock function. The CPM2C CPU Unit is a stand-alone Unit that can handle a broad range of machine control applications and it is small enough to be incorporated as the control unit in almost any free-standing machine.

The full complement of communications functions provide communications with personal computers, other OMRON PCs, and OMRON Programmable Terminals. These communications capabilities allow the user to design a low-cost distributed production system.



The communications port can be used simultaneously as two ports: Peripheral and RS-232C. The peripheral port supports Programming Devices, Host Link, and no-protocol communications. The RS-232C port supports Host Link, no-protocol (serial), 1:1 Link, and 1:1 NT Link communications.

CPU Units with 10 I/O points (relay or transistor outputs) or 20 I/O points (transistor outputs only) are available. Expansion I/O Units can be connected to increase capacity to 140 I/O points.

Basic Functions

CPU Unit Variations

The CPM2C PCs are one-piece PCs with 10 or 20 I/O points in I/O terminals or a built-in connector. There are 3 types of outputs available (relay outputs, sinking transistor outputs, and sourcing transistor outputs). All CPM2C PCs require a 24-VDC power supply.

Expansion I/O Units

Up to 5 Expansion I/O Units can be connected to the CPU Unit to increase the PC's I/O capacity to a maximum of 140 I/O points. There are 10 different Expansion I/O Units available, including Units with 24 I/O points, 10 I/O points, 8 input points, 8 output points, 16 inputs points, and 16 output points. The maximum I/O capacity of 140 I/O points is achieved by connecting five 24-point Expansion I/O Units to a CPU Unit with 20 built-in I/O points.

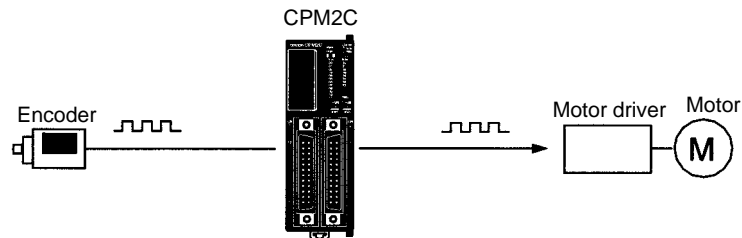
Share Programming Devices

The same Programming Devices, such as Programming Consoles and Support Software, can be used for the C200H, C200HS, C200HX/HG/HE, CQM1, CPM1, CPM1A, CPM2A, and SRM1(-V2) PCs, so existing ladder program resources can be used effectively.

Built-in Motor Control Capability

Synchronized Pulse Control (Transistor Outputs Only)

Synchronized pulse control provides an easy way to synchronize the operation of a peripheral piece of equipment with the main equipment. The output pulse frequency can be controlled as some multiple of the input pulse frequency, allowing the speed of a peripheral piece of equipment (such as a supply conveyor) to be synchronized with the speed of the main piece of equipment.



Pulses are output as a fixed multiple of the input frequency.

High-speed Counters and Interrupts

The CPM2C has a two kinds of high-speed counter inputs. The high-speed counter input has a response frequency of 20 kHz/5 kHz and the interrupt inputs (in counter mode) have a response frequency of 2 kHz.

The single high-speed counter can be used in any one of the four input modes: differential phase mode (5 kHz), pulse plus direction input mode (20 kHz), up/down pulse mode (20 kHz), or increment mode (20 kHz). Interrupts can be triggered when the count matches a set value or falls within a specified range.

The interrupt inputs (counter mode) can be used for incrementing counters or decrementing counters (2 kHz) and trigger an interrupt (executing the interrupt program) when the count matches the target value. Four interrupt inputs can be used in the 20-point CPU Units and two interrupt inputs can be used in the 10-point CPU Units.

Easy Position Control with Pulse Outputs (Transistor Outputs Only)

CPM2C PCs with transistor outputs have two outputs that can produce 10 Hz to 10 kHz pulses (single-phase outputs).

When used as single-phase pulse outputs, there can be two outputs with a frequency range of 10 Hz to 10 kHz with a fixed duty ratio or 0.1 to 999.9 Hz with a variable duty ratio (0 to 100% duty ratio).

When used as pulse plus direction or up/down pulse outputs, there can be just one output with a frequency range of 10 Hz to 10 kHz.

High-speed Input Capabilities for Machine Control

High-speed Interrupt Input Function

The 20-point CPU Units have 4 inputs that can be used as interrupt inputs and the 10-point CPU Units have 2 inputs that can be used as interrupt inputs. These inputs are shared with quick-response inputs and interrupt inputs in counter mode and have a minimum input signal width of 50 μ s and response time of 0.3 ms. When an interrupt input goes ON, the main program is stopped and the interrupt program is executed.

Quick-response Input Function

Regardless of the cycle time, the 20-point CPU Units have 4 inputs that can be used as quick-response inputs and the 10-point CPU Units have 2 inputs that can be used as quick-response inputs. These inputs are shared with interrupt inputs and interrupt inputs in counter mode; they can reliably read input signals with a signal width as short as 50 μ s.

Stabilizing Input Filter Function

The input time constant for all inputs can be set to 1 ms, 2 ms, 3 ms, 5 ms, 10 ms, 20 ms, 40 ms, or 80 ms. The effects of chattering and external noise can be reduced by increasing the input time constant.

Other Functions

Interval Timer Interrupts

The interval timer can be set between 0.5 and 319,968 ms and can be set to generate just one interrupt (one-shot mode) or periodic interrupts (scheduled interrupt mode).

- Calendar/Clock** In CPU Units with a built-in clock, the clock (accuracy within 1 minute/month) can be read from the program to show the current year, month, day, day of the week, and time. The clock can be set from a Programming Device (such as a Programming Console) or the time can be adjusted by rounding up or down to the nearest minute.
- Long-term Timer** TIML(—) is a long-term timer that accommodates set values up to 99,990 seconds (27 hours, 46 minutes, 30 seconds). When combined with the SECONDS TO HOURS conversion instruction (HMS(—)), the long-term timer provides an easy way to control equipment scheduling.

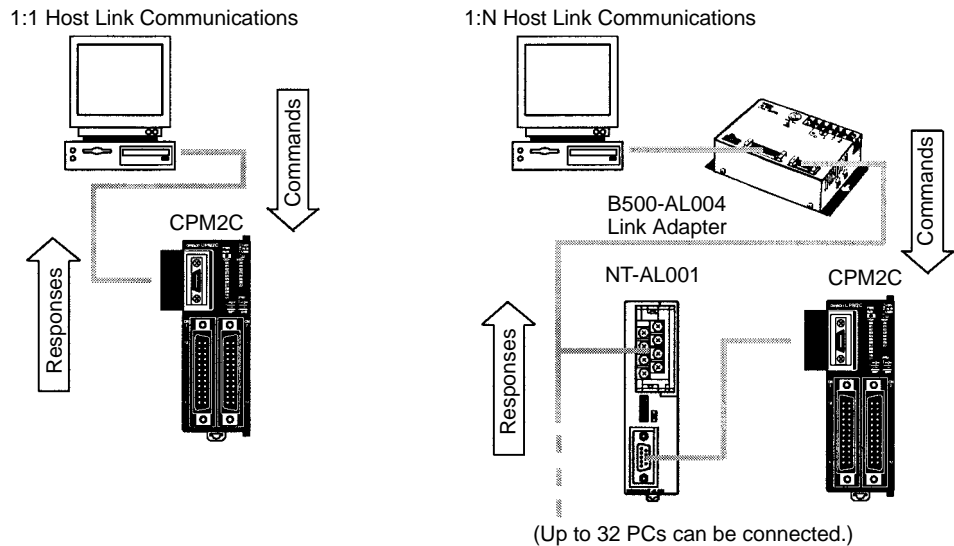
Greater Data Handling Capability with Expansion Units

- Analog I/O Supported** Up to 4 Analog I/O Units can be mounted to the CPM2C. For each Analog I/O Unit mounted to the Unit, 2 analog input points and 1 analog output point are available. By mounting 4 Analog I/O Units, a maximum of 8 analog input points and 4 analog output points can be made available. (By using a combination of the PID(—) instruction and PWM(—) instruction, time proportional control is possible.)
- The ranges supported for analog input signals are 0 to 5 V, 0 to 10 V, –10 to 10 V, 0 to 20 mA, and 4 to 20 mA, and the resolution is 1/6000 (full scale). The average processing function and power interruption detection function can be used.
 - The ranges supported for analog output signals are 1 to 5 V, 0 to 10 V, –10 to 10 V, 0 to 20 mA, and 4 to 20 mA, and the resolution is 1/6000 (full scale).
- Temperature Sensor Units** Up to 4 Temperature Sensor Units can be mounted to the CPM2C. There are 2 models of Temperature Sensor Unit: One for input from a thermocouple sensor and one for input from a platinum resistance thermometer sensor. There are 2 input points on each Temperature Sensor Unit.
- Thermocouple inputs (and measurement ranges): K (–200 to 1,300°C, 0.0 to 500.0°C), J (–100 to 850°C, 0.0 to 400.0°C).
 - Platinum resistance thermometer inputs (and measurement ranges): Pt100 (–200.0 to 650.0°C), JPt100 (–200.0 to 650.0°C).
- CompoBus/S I/O Link Units** The CPM2C can be used as a CompoBus/S Slave (with 8 built-in inputs and 8 built-in outputs) by connecting a CompoBus/S I/O Link Unit. Up to 5 CompoBus/S I/O Link Units can be connected to the CPM2C. In addition to the conventional “PC + Remote I/O” type of distributed I/O control, “PC + miniature PC” distributed CPU control is now possible. This means increased modularization, allowing greater standardization of design, improved suitability to special needs, and easier replacement of malfunctioning Units.

Complete Communications Capabilities

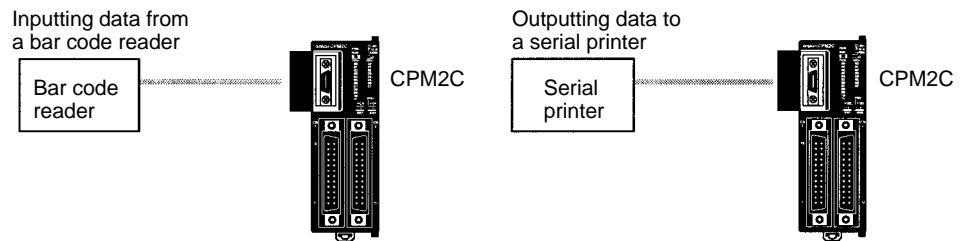
Host Link

A Host Link connection can be made through the PC's communications port used as a RS-232C or peripheral port. A personal computer or Programmable Terminal connected in Host Link mode can be used for operations such as reading/writing data in the PC's I/O memory or reading/changing the PC's operating mode.



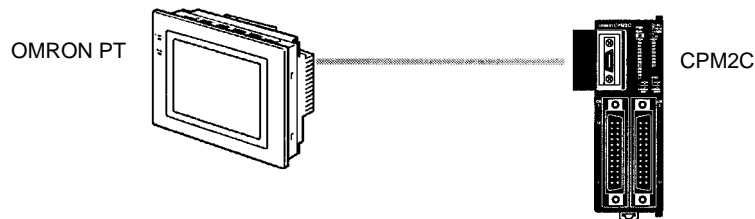
No-protocol Communications

The TXD(48) and RXD(47) instructions can be used in no-protocol mode to exchange data with standard serial devices. For example, data can be received from a bar code reader or transmitted to a serial printer. The serial devices can be connected to the communications port as a RS-232C or peripheral port.



High-speed 1:1 NT Link Communications

In a 1:1 NT Link, an OMRON Programmable Terminal (PT) can be connected directly to the CPM2C. The PT must be connected to the communications port as an RS-232C port (not as a peripheral port).



One-to-one PC Link

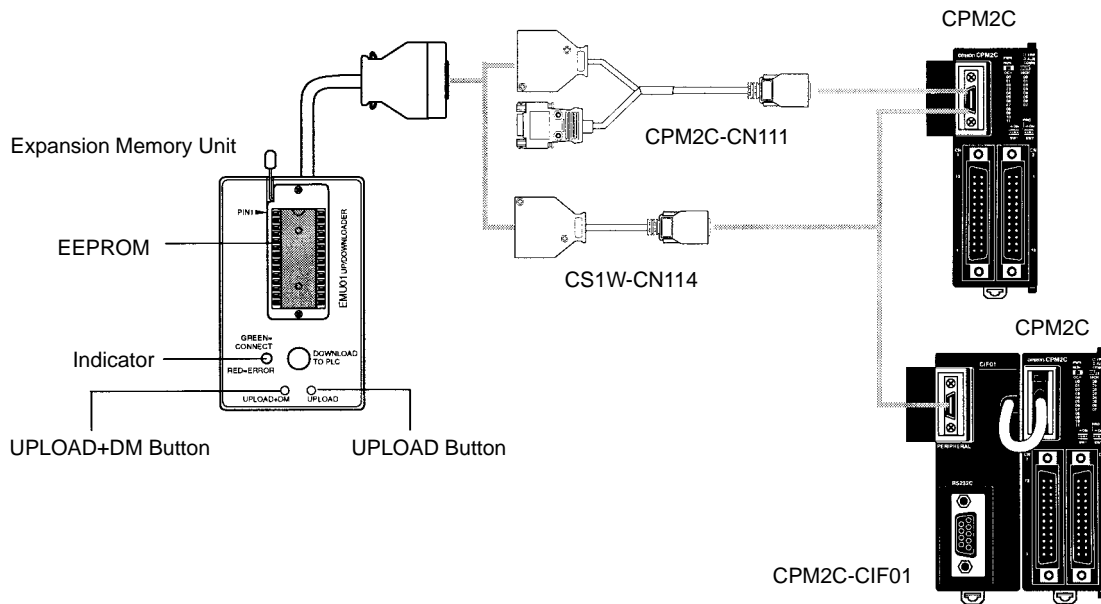
A CPM2C can be linked directly to another CPM2C, CQM1, CPM1, CPM1A, CPM2A, SRM1(-V2), or a C200HS or C200HX/HG/HE PC. The 1:1 PC Link al-

allows automatic data link connections. The PC must be connected to the communications port as an RS-232C port (not as a peripheral port).



Expansion Memory Unit

The CPM1-EMU01-V1 Expansion Memory Unit is a program loader for small-size or micro PCs. Using the CPM1-EMU01-V1, simple on-site transfer of user programs and data memory is possible with PCs.



1-1-2 Overview of CPM2C Functions

Main function	Variations/Details	
Interrupts	Interrupt inputs 2 inputs in CPU Units with 10 I/O points, 4 inputs in CPU Units with 20 I/O points Response time: 0.3 ms	
	Interval timer interrupts 1 input Set value: 0.5 to 319,968 ms Precision: 0.1 ms	Scheduled interrupts
		One-shot interrupt
High-speed counters	High-speed counter 1 input, see note 1. Differential phase mode (5 kHz) Pulse plus direction input mode (20 kHz) Up/down input mode (20 kHz) Increment mode (20 kHz)	No interrupt
		Count-check interrupt (An interrupt can be generated when the count equals the set value or the count lies within a preset range.)
	Interrupt inputs (counter mode) 2 inputs in CPU Units with 10 I/O points, 4 inputs in CPU Units with 20 I/O points Incrementing counter (2 kHz) Decrementing counter (2 kHz)	No interrupt
	Count-up interrupt	

Main function	Variations/Details
Pulse outputs	2 outputs: Single-phase pulse output without acceleration/deceleration (See note 2.) 10 Hz to 10 kHz 2 outputs: Variable duty ratio pulse output (See note 2.) 0.1 to 999.9 Hz, duty ratio 0 to 100% 1 output: Pulse output with trapezoidal acceleration/deceleration (See note 2.) Pulse plus direction output, up/down pulse output, 10 Hz to 10 kHz
Synchronized pulse control	1 point, see notes 1 and 2. Input frequency range: 10 to 500 Hz, 20 Hz to 1 kHz, or 300 Hz to 20 kHz Output frequency range: 10 Hz to 10 kHz
Quick-response input	2 inputs in CPU Units with 10 I/O points, 4 inputs in CPU Units with 20 I/O points Minimum input signal width: 50 μ s
Input time constant	Determines the input time constant for all inputs. (Settings: 1, 2, 3, 5, 10, 20, 40, or 80 ms)
Calendar/Clock	Shows the current year, month, day of the week, day of the month, hour, minute, and second.
Expansion Unit functions	Analog I/O functions using CPM2C-MAD11 Analog I/O Unit Two analog inputs: Input range of 0 to 5 V, 1 to 5 V, 0 to 10 V, -10 to 10 V, 0 to 20 mA, or 4 to 20 mA One analog output: Output range of 1 to 5 V, 0 to 10 V, -10 to 10 V, 0 to 20 mA, or 4 to 20 mA
	Temperature sensing functions using CPM2C-TS001/101 Temperature Sensor Unit Thermocouple input (measurement range): K (-200 to 1,300°C) K (0.0 to 500.0°C) J (-100 to 850°C) J (0.0 to 400.0°C) Platinum resistance thermometer (measurement range): Pt100 (-200.0 to 650.0°C) JPt100 (-200.0 to 650.0°C)
	CompoBus/S Slave functions using CPM2C-SRT21 CompoBus/S I/O Link Unit Data exchange with the Master Unit via 8 inputs and 8 outputs.

- Note**
1. This input is shared by the high-speed counter and synchronized pulse control functions.
 2. This output is shared by the pulse output and synchronized pulse control functions. These functions can be used with transistor outputs only.

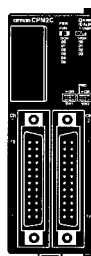
1-2 System Configurations

1-2-1 Stand-alone CPU Units

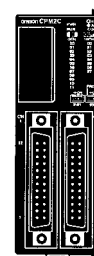
CPU Unit with 10 I/O Points
(relay outputs)



CPU Unit with 10 I/O Points
(transistor outputs)



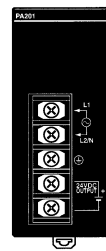
CPU Unit with 20 I/O Points
(transistor outputs)



CPU Unit		Inputs	Outputs	Clock	Model
10 I/O points (6 inputs, 4 outputs)	I/O terminal block	6 inputs (24 VDC)	4 relay outputs	No	CPM2C-10CDR-D
				Yes	CPM2C-10C1DR-D
	I/O connector	6 inputs (24 VDC)	4 transistor outputs (sinking)	No	CPM2C-10CDTC-D
				Yes	CPM2C-10C1DTC-D
			4 transistor outputs (sourcing)	No	CPM2C-10CDT1C-D
				Yes	CPM2C-10C1DT1C-D
20 I/O points (12 inputs, 8 outputs)	I/O connector	12 inputs (24 VDC)	8 transistor outputs (sinking)	No	CPM2C-20CDTC-D
				Yes	CPM2C-20C1DTC-D
		8 transistor outputs (sourcing)	No	CPM2C-20CDT1C-D	
			Yes	CPM2C-20C1DT1C-D	

1-2-2 Power Supply Unit

AC Power Supply Unit

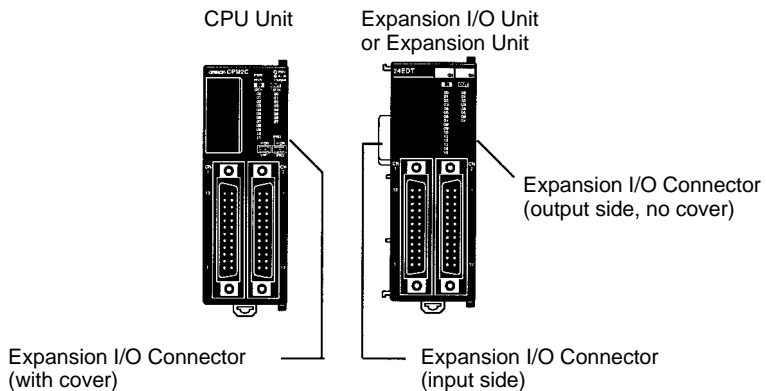


Name	Ratings	Model
AC Power Supply Unit	100 to 240 VAC input 24 VDC, 600 mA output	CPM2C-PA201

1-2-3 CPU Unit, Expansion Units, and Expansion I/O Units

A series of up to 5 Expansion I/O Units or Expansion Units can be connected to the expansion I/O connector on the CPU Unit.

There are four types of Units available: Expansion I/O Units, an Analog I/O Unit, Temperature Sensor Units, and a CompoBus/S I/O Link Unit.



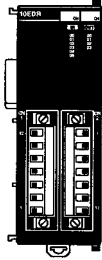
A PC with 140 I/O points (the maximum) can be assembled by connecting five Expansion I/O Units to a CPU Unit with 20 I/O points.

$$\text{CPM2C-20CDTC-D (12 inputs, 8 outputs)} \times 1 \text{ Unit} + \text{CPM2C-24EDTC (16 inputs, 8 outputs)} \times 5 \text{ Units} = 92 \text{ inputs, 48 outputs}$$

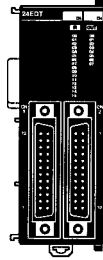
Note Be sure that the power supply requirements of the CPU Unit, Expansion Units, and Expansion I/O Units do not exceed the available capacity. Only three Expansion I/O Units or Expansion Units can be connected when the NT-AL001 Adapter is connected to the communications port (as a RS-232C port).

Expansion I/O Units

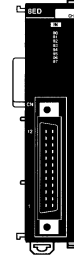
Expansion I/O Unit with 10 relay output points



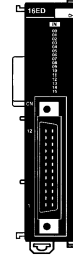
Expansion I/O Unit with 24 transistor output points



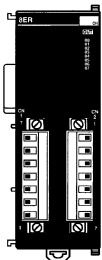
Expansion I/O Unit with 8 DC input points



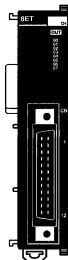
Expansion I/O Unit with 16 DC input points



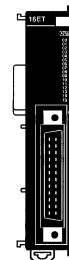
Expansion I/O Unit with 8 relay output points



Expansion I/O Unit with 8 transistor output points



Expansion I/O Unit with 16 transistor output points

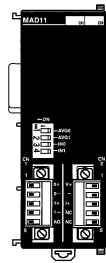


Unit		Inputs	Outputs	Model
10 I/O points	I/O terminals	6 inputs (24 VDC)	4 relay outputs	CPM2C-10EDR
6 inputs, 4 outputs	I/O connector	16 inputs (24 VDC)	8 transistor outputs (sinking)	CPM2C-24EDTC
24 I/O points			8 transistor outputs (sourcing)	CPM2C-24EDT1C
16 inputs, 8 outputs				
8 input points	I/O connector	8 inputs (24 VDC)	---	CPM2C-8EDC
16 input points	I/O connector	16 inputs (24 VDC)	---	CPM2C-16EDC
8 output points	I/O terminals	---	8 relay outputs	CPM2C-8ER
	I/O connector	---	8 transistor outputs (sinking)	CPM2C-8ETC
			8 transistor outputs (sourcing)	CPM2C-8ET1C
16 output points	I/O connector	---	16 transistor outputs (sinking)	CPM2C-16ETC
			16 transistor outputs (sourcing)	CPM2C-16ET1C

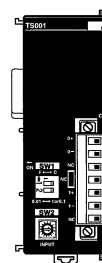
Note Be sure that the power supply requirements of the CPU Unit, Expansion Units, and Expansion I/O Units do not exceed the available capacity. Only three Expansion I/O Units and Expansion Units can be connected when the NT-AL001 Adapter is connected to the communications port (as a RS-232C port).

Expansion Units

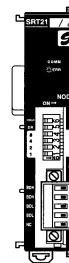
CPM2C-MAD11
Analog I/O Unit



CPM2C-TS001
Temperature Sensor Unit



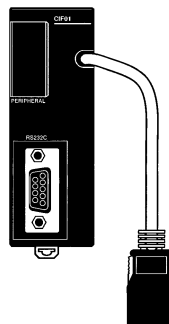
CPM2C-SRT21
CompoBus/S I/O Link Unit



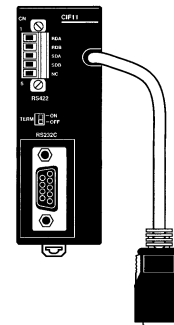
Unit		Max. number of Units	Inputs	Outputs	Model
Analog I/O Unit	2 analog inputs 1 analog output	4	2 points, 2 words allocated	1 point, 1 word allocated	CPM2C-MAD11
Temperature Sensor Unit	2 thermocouple inputs	4	2 points, 2 words allocated	---	CPM2C-TS001
	2 platinum resistance thermometer inputs		2 points, 2 words allocated	---	CPM2C-TS101
CompoBus/S I/O Link Unit	8 input points and 8 output points for the built-in outputs and inputs of the Master Unit	5	8 points, 1 word allocated (Inputs from the Master)	8 points, 1 word allocated (Outputs to the Master)	CPM2C-SRT21

Adapter Units

Peripheral/RS-232C Adapter Unit



RS-422/232C Adapter Unit



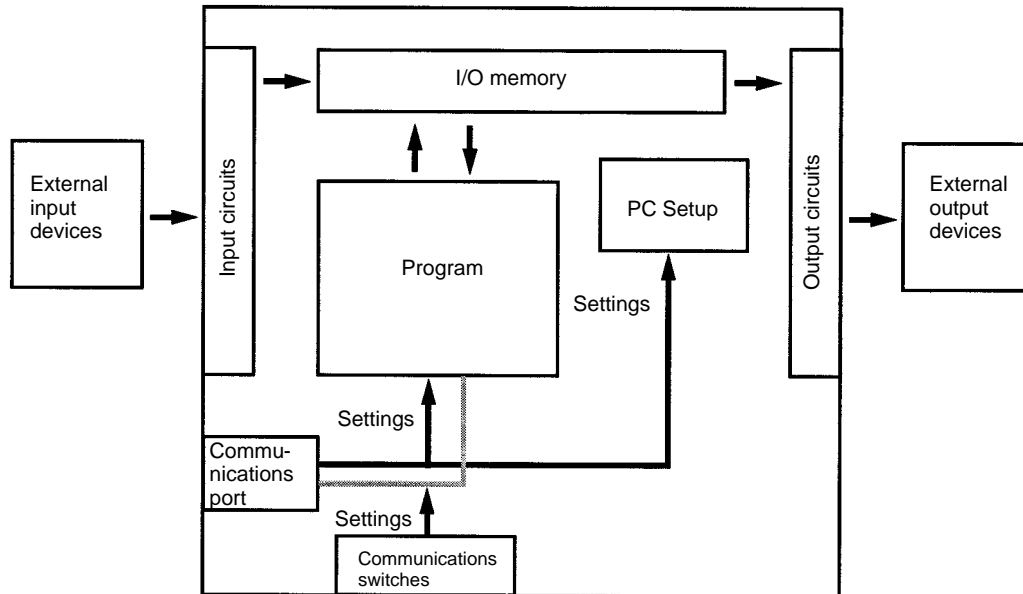
Unit	Conversion	Model
Peripheral/RS-232C Adapter Unit	CPU Unit's communications port → Peripheral port + RS-232C port	CPM2C-CIF01
RS-422/RS-232C Adapter Unit	CPU Unit's communications port → RS422 port + RS-232C port	CPM2C-CIF11

- Note**
1. The CPM2C-CIF01 cannot be used with any PC model other than the CPM2C. A CPM2C-CIF11 or another CPM2C-CIF01 cannot be connected onto a CPM2C-CIF01.
 2. Although a CPM2C-CN111 can be connected to a CPM2C-CIF01, it is not possible to use the peripheral port and the RS-232C port on the CPM2C-CN111 simultaneously. If an attempt is made to use both ports simultaneously, communications will not be performed properly and incorrect operation may result.

1-3 Structure and Operation

1-3-1 CPU Unit Structure

The following diagram shows the internal structure of the CPU Unit.



I/O Memory

The program reads and writes data in this memory area during execution. Part of the I/O memory contains the bits that reflect the status of the PC's inputs and outputs. Parts of the I/O memory are cleared when the power is turned ON and other parts are retained.

Note Refer to *Section 3 Memory Areas* in the *Programming Manual (W353)* for more details on I/O memory.

Program

This is the program written by the user. The CPM2C executes the program cyclically. (Refer to *1-3-5 Cyclic Operation and Interrupts* for details.)

The program can be divided broadly into two parts: the "main program" that is executed cyclically and the "interrupt programs" that are executed only when the corresponding interrupt is generated.

PC Setup

The PC Setup contains various startup and operating parameters. The PC Setup parameters can be changed from a Programming Device only; they cannot be changed from the program.

Some parameters are accessed only when PC's power supply is turned ON and others are accessed regularly while the power is ON. It will be necessary to turn the power OFF and then ON again to enable a new setting if the parameter is accessed only when the power is turned ON.

Note Refer to *Section 1 PC Setup* in the *Programming Manual (W353)* for more details.

Communications Switches

The Communications Switches determine whether the peripheral port and RS-232C port connected through the communications port operate with the standard communications settings or the communications settings in the PC Setup.

1-3-2 Operating Modes

CPM2C CPU Units have 3 operating modes: PROGRAM, MONITOR, and RUN.

PROGRAM Mode

The program cannot be executed in PROGRAM mode. This mode is used to perform the following operations in preparation for program execution.

- Changing initial/operating parameters such as those in the PC Setup
- Writing, transferring, or checking the program
- Checking wiring by force-setting and force-resetting I/O bits



Caution

The PC continues to refresh I/O bits even if the PC is in PROGRAM mode, so devices connected to output points on the CPU Unit, Expansion Units, or Expansion I/O Units may operate unexpectedly if the corresponding output bit is turned ON by changing the contents of I/O memory.

MONITOR Mode

The program is executed in MONITOR mode and the following operations can be performed from a Programming Device. In general, MONITOR mode is used to debug the program, test operation, and make adjustments.

- Online editing
- Monitoring I/O memory during operation
- Force-setting/force-resetting I/O bits, changing set values, and changing present values during operation

RUN Mode

The program is executed at normal speed in RUN mode. Operations such as online editing, force-setting/force-resetting I/O bits, and changing set values/present values cannot be performed in RUN mode, but the status of I/O bits can be monitored.

1-3-3 Operating Mode at Startup

The operating mode of the CPM2C when the power is turned ON depends upon the PC Setup settings and the Programming Console's mode switch setting if a Programming Console is connected.

PC Setup setting			Operating mode
Word	Bits	Setting	
DM 6600	08 to 15	00	See note.
		01	Startup mode is the same as the operating mode before power was interrupted.
		02	Startup mode is determined by bits 00 to 07.
	00 to 07	00	PROGRAM mode
		01	MONITOR mode
		02	RUN mode

Note The startup mode depends upon the setting of Communications Switch 2 and the Programming Device connected to the communications port (peripheral port).

Programming Device	Switch 2 OFF	Switch 2 ON
None	PROGRAM mode	RUN mode (see note 2)
Programming Console	Operating mode set on the Programming Console's mode switch	PROGRAM mode (see note 1)
Other device	PROGRAM mode (see note 1)	PROGRAM mode

Note 1. The CPM2C will not be able to communicate with the Programming Device in these cases.

2. When the power is turned ON, the CPM2C will start in the RUN mode only when the RS-232C cable is connected to the communications port with switch 2 set to ON.

1-3-4 PC Operation at Startup

Time Required for Initialization

The time required for startup initialization depends on several factors, such as the operating conditions (including power supply voltage, system configuration, and ambient temperature) and the program contents.

Power OFF Operation

Minimum Power Supply Voltage

The PC will stop and all outputs will be turned OFF if the power supply voltage falls below 85% of the rated value.

Momentary Power Interruption

A power interruption will not be detected and CPU Unit operation will continue if the power interruption lasts less than 2 ms.

A power interruption may or may not be detected for power interruptions somewhat longer than 2 ms.

When a power interruption is detected, the CPU Unit will stop operating and all outputs will be turned OFF.

Automatic Reset

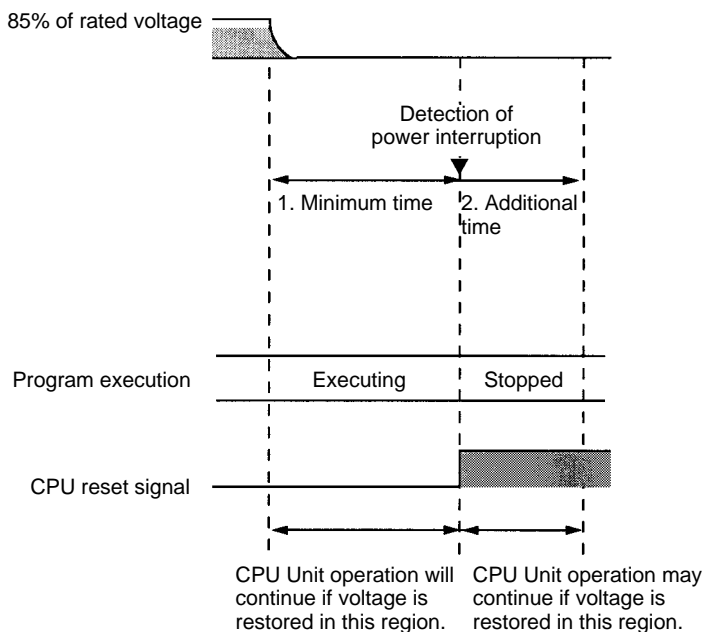
Operation will restart automatically when the power supply voltage is restored to more than 85% of the rated voltage.

Timing Chart of Power OFF Operation

The power interruption detection time is the time required for a power interruption to be detected after the power supply voltage drops below 85% of the rated value.

1, 2, 3...

1. Minimum power interruption detection time
Power interruptions that are shorter than 2 ms will not be detected.
2. Undetermined additional time
Power interruptions only slightly longer than the minimum power interruption time may not be detected.



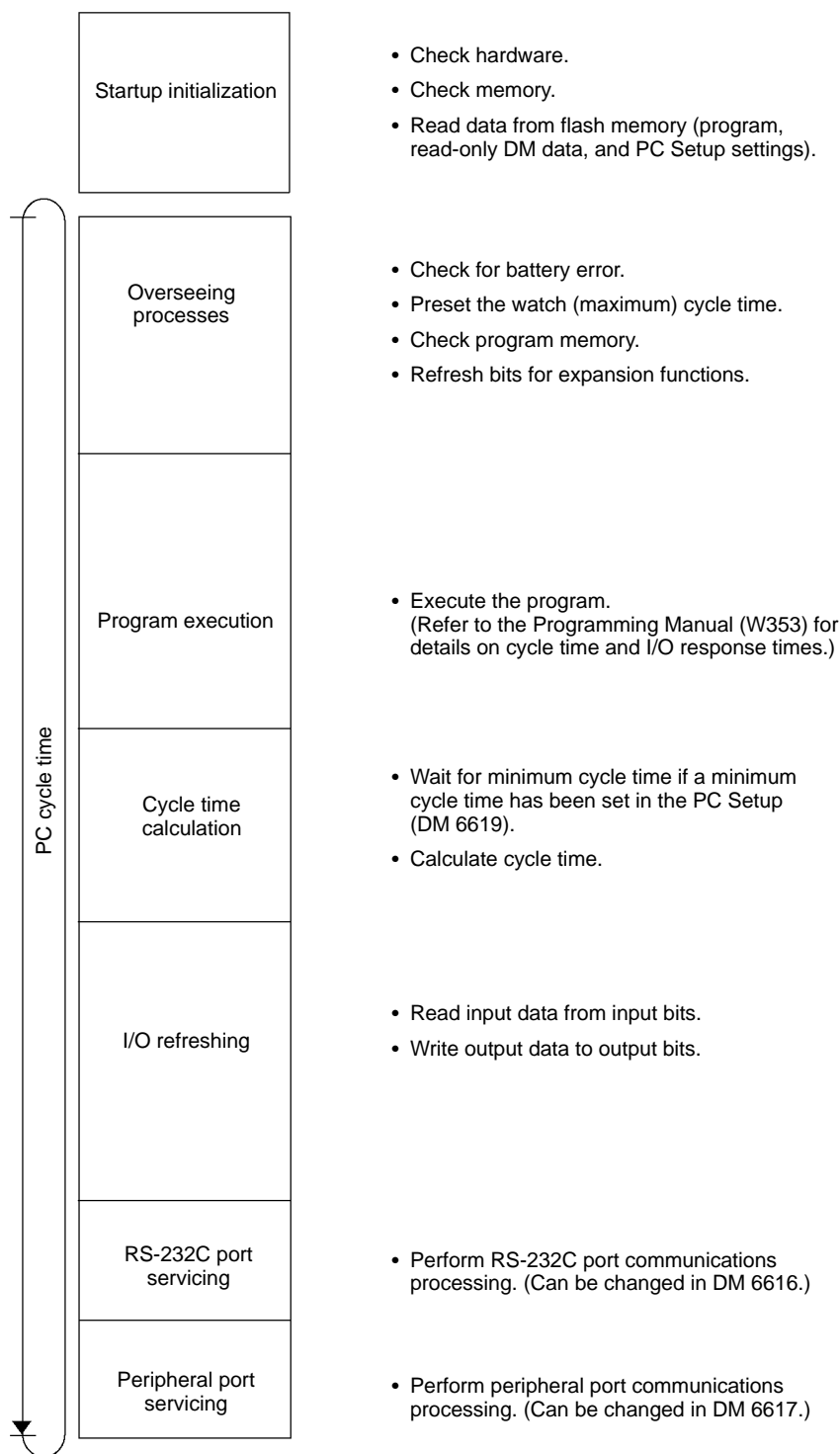
Note If the power supply voltage fluctuates around 85% of the PC's rated voltage, PC operation may stop and restart repeatedly. When repeated stopping and starting

will cause problems with the controlled system, set up a protective circuit such as a circuit that shuts OFF the power supply to sensitive equipment until the power supply voltage returns to the rated value.

1-3-5 Cyclic Operation and Interrupts

Basic CPU Operation

Initialization processing is performed when the power is turned ON. If there are no initialization errors, the overseeing processes, program execution, I/O refreshing, and communications port servicing are performed repeatedly (cyclically).



Program Execution in Cyclic Operation

The cycle time can be read from a Programming Device.

AR 14 contains the maximum cycle time and AR 15 contains the present cycle time in multiples of 0.1 ms.

The cycle time will vary slightly depending on the processing being performed in each cycle, so the calculated cycle time will not always match the actual cycle time.

The following diagram shows the cyclic operation of the CPM2C when the program is being executed normally.

Normally, the results of program execution are transferred to I/O memory just after program execution (during I/O refreshing), but IORF(97) can be used to refresh a specified range of I/O words during program execution. The specified range of I/O words will be refreshed when IORF(97) is executed.

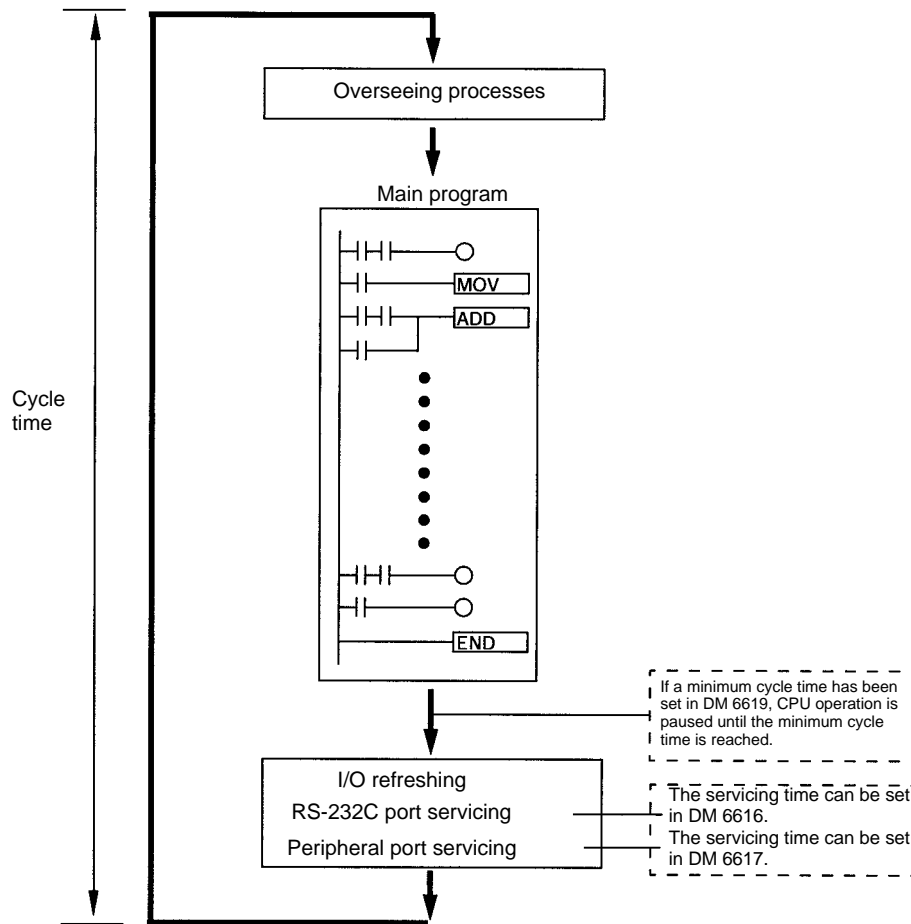
The cycle time is the sum of the time required for program execution, I/O refreshing, and communications port servicing.

A minimum cycle time (1 to 9,999 ms) can be set in the PC Setup (DM 6619). When a minimum cycle time has been set, CPU operation is paused after program execution until the minimum cycle time is reached. CPU operation will not be paused if the actual cycle time is longer than the minimum cycle time set in DM 6619.

Note A fatal error will occur and PC operation will stop if a maximum cycle time has been set in the PC Setup (DM 6618) and the actual cycle time exceeds that setting.

The default settings for RS-232C and peripheral port servicing are 5% each of the cycle time, but these settings can be changed (between 0% and 99%) in the PC Setup. The RS-232C port's setting is in DM 6616 and the peripheral port's setting is in DM 6617.

Refer to Section 7 PC Operations and Processing Time in the Programming Manual (W353) for more details and precautions on the cycle time.



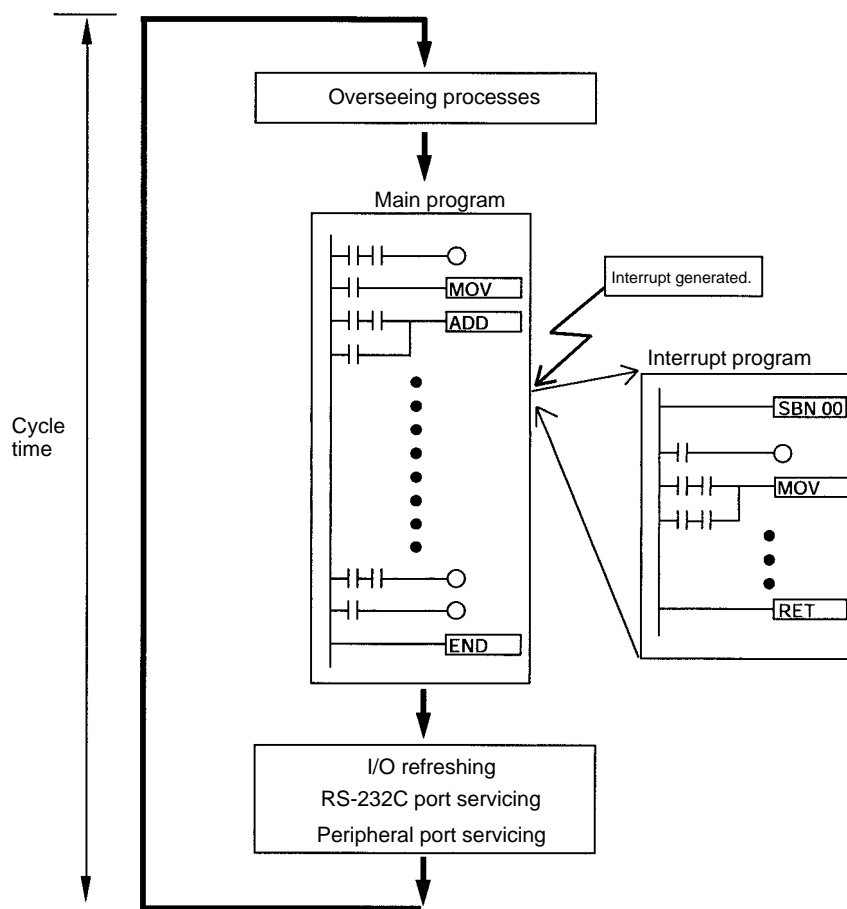
Interrupt Program Execution

When an interrupt is generated during execution of the main program, main program execution is interrupted immediately and the interrupt program is executed. The following diagram shows the cyclic operation of the CPM2C when an interrupt program is executed.

Normally, the results of interrupt program execution are transferred to I/O memory just after program execution (during I/O refreshing), but IORF(97) can be used to refresh a specified range of I/O words during execution of the interrupt program. The specified range of I/O words will be refreshed when IORF(97) is executed.

The normal cycle time is extended by the time required for execution of the interrupt program.

Refer to Section 7 PC Operations and Processing Time in the Programming Manual (W353) for more details and precautions on the cycle time.

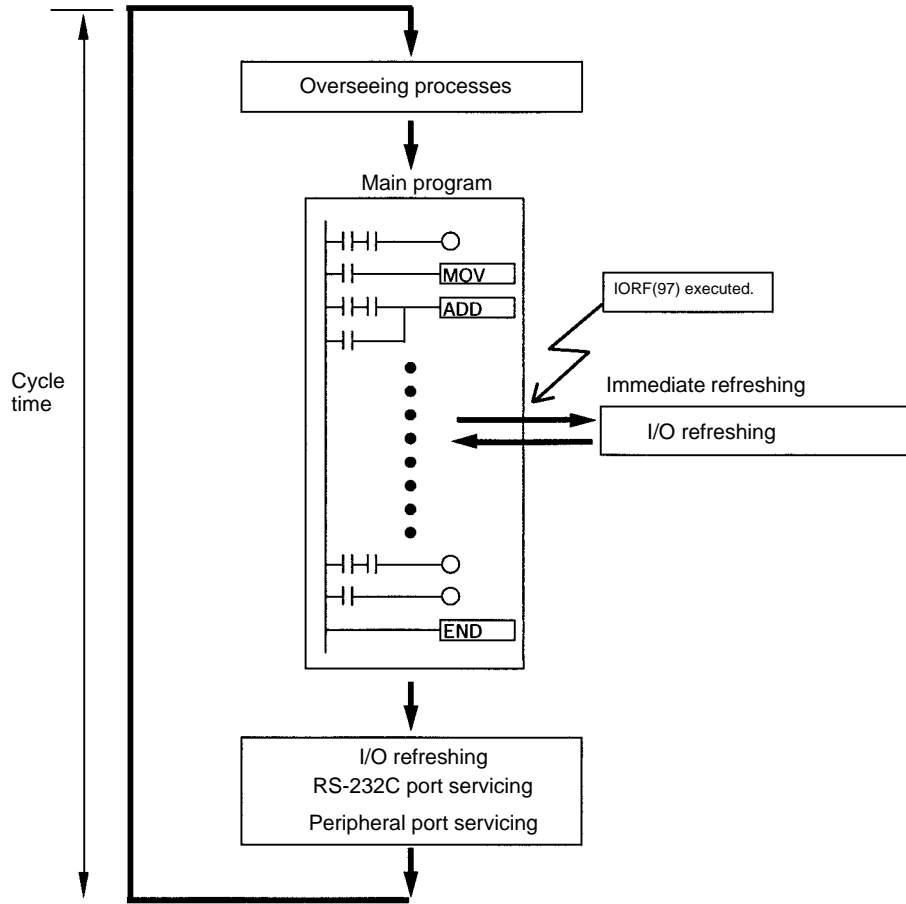


⚠ Caution Although IORF(97) can be used in interrupt subroutines, you must be careful of the interval between IORF(97) executions. If IORF(97) is executed too frequently, a fatal system error may occur (FALS 9F), stopping operation. The interval between executions of IORF(97) should be at least 1.3 ms + total execution time of the interrupt subroutine.

Immediate Refreshing

IORF(97) can be executed in the program to refresh a specified range of I/O words. The specified I/O words will be refreshed when IORF(97) is executed. IORF(97) can be used to refresh I/O from the main program or the interrupt program.

When IORF(97) is used, the cycle time is extended by the time required to refresh the specified I/O words.



1-4 Functions Listed by Usage

Machine Control Functions

Usage		Function	Refer to
Receive high-speed count inputs (For example, calculating length or position with an encoder).	Max. count frequency of 2 kHz (single-phase)	Use interrupt input (counter mode) to read the present value without interrupts.	W353
	Max. count frequency of 5 kHz (differential phase) or 20 kHz (single-phase)	Use high-speed counter to read the present value without interrupts.	
Generate a pulse output based on a multiple of an input pulse to synchronize control of a peripheral process with the main process. The multiple for the peripheral process (such as tool feed rate) can be changed during operation by calculating the multiple from another input value (such as an encoder) in the peripheral process. This method can be used to change the process for different products or models without stopping the equipment.		Pulse synchronization	
Reliably receive input pulses with an ON-time shorter than the cycle time (such as inputs from a photomicrosensor).		Quick-response input function	

Usage		Function	Refer to
Interrupt functions	Execute a special process very quickly when an input goes ON. (For example, operating a cutter when an interrupt input is received from a Proximity Switch or Photoelectric Switch.)	Interrupt input (interrupt input mode)	W353
	Count input ON pulses and execute a special process very quickly when the count reaches the preset value. (For example, stopping the supply feed when a preset number of workpieces have passed through the system.)	Interrupt input (counter mode)	
	Execute a special process at a preset count value. (For example, cutting material very precisely at a given length.)	High-speed counter interrupt generated when the count matches the set value.	
	Execute a special process when the count is within a preset range. (For example, sorting material very quickly when it is within a given length range.)	High-speed counter interrupt generated when the count is within the set range.	
	Execute a special process when a timer times out. (For example, stopping a conveyor at very precise time (independent of the cycle time) after the workpiece is detected.)	Interval timer interrupt (One-shot mode)	
	Repeat a special process at regular intervals. (For example, the speed of a sheet feeder can be monitored by measuring the input signal from an encoder at regular intervals and calculating the speed.)	Interval timer interrupt (Scheduled interrupt mode)	
Perform simple positioning by outputting pulses to a motor driver that accepts pulse-train inputs.		Pulse output function	
Receive an analog input and output an analog output.		Analog I/O Unit (Connect the Analog I/O Unit to the CPU Unit.)	
Receive temperature sensor input directly at the PC.		Temperature Sensor Unit (Connect the Temperature Sensor Unit to the CPU Unit.)	
Reduce required wiring, space, and PC load by controlling equipment with a few low-capacity PCs dispersed near the equipment rather than a single, large, centralized PC. (Create a remote I/O link with a CompoBus/S Master and CompoBus/S Slaves.)		CompoBus/S I/O Link Unit (Connect the CompoBus/S I/O Link Unit to the CPU Unit.)	

Basic Functions

Usage	Function	Refer to
Set the cycle time to a fixed interval.	Set a minimum (fixed) cycle time in the PC Setup.	W353
Stop PC operation when the cycle time exceeds a maximum setting.	Set a maximum (watch) cycle time in the PC Setup.	
Keep all outputs ON when PC operation stops.	Turn ON the IOM Hold Bit (SR 25212).	
Retain the contents of I/O memory when starting operation.	Turn ON the IOM Hold Bit (SR 25212).	
Retain the contents of I/O memory when the PC is turned ON.	Turn ON the IOM Hold Bit (SR 25212) and set the PC Setup (DM 6601) so that the status of the IOM Hold Bit is maintained at startup.	
Eliminate effects from chattering and external noise.	Set a longer input time constant in the PC Setup.	

Maintenance Functions

Usage	Function	Refer to
Record data with time-stamp.	Clock/calendar function	W353
Establish user-defined errors for desired input conditions. (Fatal and non-fatal errors can be defined.)	FAL(06) defines non-fatal errors. (PC operation continues.) FALS(07) defines fatal errors. (PC operation stops.)	
Read the number of power interruptions.	The number of power interruptions is stored in AR 23.	
Set the startup operating mode.	Set the startup operating mode in the PC Setup (DM 6600).	

Communications Functions

Usage	Function	Refer to
Read/write I/O memory data and change the operating mode from a host computer.	Host Link communications (Set the communications mode to Host Link in the PC Setup.)	W353
Connect to a serial device such as a bar code reader or serial printer.	No-protocol communications (Set the communications mode to no-protocol in the PC Setup.)	
Make a high-speed connection with an OMRON Programmable Terminal.	1:1 NT Link (Set the communications mode to 1:1 NT Link in the PC Setup.)	
Make a PC-PC data link connection with another CPM2C, or a CPM1, CPM1A, CPM2A, SRM1, CQM1, C200HS, or C200HX/HG/HE PC.	1:1 PC Link (Set the communications mode to 1:1 PC Link in the PC Setup.)	
Connect a Programming Console.	Connect the Programming Console to the peripheral port via the communications port. (Turn OFF Communications Switch 2.)	Page 114
Connect a personal computer running SYSMAC Support Software (SSS) or SYSMAC-CPT Support Software.	The computer can be connected to the peripheral port or RS-232C port via the communications port. (Turn OFF Communications Switch 2.)	Page 108
Monitor equipment with a Programmable Terminal and program the PC with a Programming Device.	The RS-232C port and peripheral port can be used simultaneously via the communications port.	W353 Page 108, 114

1-5 Comparison with the CPM1A and CPM2A

Item		CPM2C	CPM2A	CPM1A
Instruction set	Basic instructions	14	Same as CPM2C.	Same as CPM2C.
	Special instructions	105 instructions, 185 variations	Same as CPM2C.	79 instructions, 139 variations
Instruction execution times	Basic instructions	LD: 0.64 μs	Same as CPM2C.	LD: 1.72 μs
	Special instructions	MOV(21): 7.8 μs	Same as CPM2C.	MOV(21): 16.3 μs
Program capacity		4,096 words	Same as CPM2C.	2,048 words
Maximum number of I/O points	Stand-alone CPU Unit	10 or 20 points	30, 40, or 60 points	10, 20, 30, or 40 points
	CPU Unit with Expansion I/O Units	130 or 140 points max.	90, 100, or 120 points max.	90 or 100 points max.
Expansion Units and Expansion I/O Units	Maximum number of Units	A maximum of 5 Units can be connected to any of the CPU Units.	A maximum of 3 Units can be connected to any of the CPU Units.	A maximum of 3 Units can be connected to the 30-point and 40-point CPU Units.
	Available models	Expansion I/O Units, Analog I/O Unit, Temperature Sensor Unit, and CompoBus/S I/O Link Unit	Same as CPM2C.	Same as CPM2C.

Item		CPM2C	CPM2A	CPM1A
I/O memory	Input bits	IR 00000 to IR 00915	Same as CPM2C.	Same as CPM2C.
	Output bits	IR 01000 to IR 01915	Same as CPM2C.	Same as CPM2C.
	Work bits	928 bits: IR 02000 to IR 04915, IR 20000 to IR 22715	Same as CPM2C.	512 bits: IR 20000 to IR 23115
	SR (Special Relay) area	448 bits: SR 22800 to SR 25515	Same as CPM2C.	384 bits: SR 23200 to SR 25515
	TR (Temporary Relay) area	8 bits: TR0 to TR7	Same as CPM2C.	Same as CPM2C.
	HR (Holding Relay) area	320 bits: HR 0000 to HR 1915		Same as CPM2C.
	AR (Auxiliary Relay) area	384 bits: AR 0000 to AR 2315	Same as CPM2C.	256 bits: AR 0000 to AR 1515
	LR (Link Relay) area	256 bits: LR 0000 to LR 1515	Same as CPM2C.	Same as CPM2C.
	Timer/Counter area	256 bits: TIM/CNT 000 to TIM/CNT 255	Same as CPM2C.	128 bits: TIM/CNT 0 to TIM/CNT 127
	DM (Data Memory) area	Read/write area	2,048 words (DM 0000 to DM 2047)	Same as CPM2C.
Read-only area		456 words (DM 6144 to DM 6599)	Same as CPM2C.	Same as CPM2C.
PC Setup		56 words (DM 6600 to DM 6655)	Same as CPM2C.	Same as CPM2C.
Memory backup	Program area, read-only DM area (including PC Setup)	Flash memory backup	Same as CPM2C.	Same as CPM2C.
	Read/write DM area, HR area, AR area, and counters	CPU Unit with clock: Internal battery backup (2-year lifetime at 25°C, replaceable) CPU Unit without clock: Capacitor backup (10-day backup at 25°C) or optional battery backup (2 years at 25°C, replaceable)	Internal battery backup (5-year lifetime at 25°C, replaceable)	Capacitor backup (20-day backup at 25°C)
Interrupt inputs (interrupt input mode)		4 (20-point CPU Unit), 2 (10-point CPU Unit)	4	4
Interrupt inputs (counter mode)	Counter mode	Incrementing counter Decrementing counter	Same as CPM2C.	Decrementing counter
	Counter upper limit	2 kHz	Same as CPM2C.	1 kHz
	SR 244 to SR 247	Contains counter PV.	Same as CPM2C.	Contains counter PV-1.
	Method(s) to read counter PV	Read SR 244 to SR 247. Execute PRV(62).	Same as CPM2C.	Read SR 244 to SR 247. (Counter PV - 1)
	Method to change counter PV	Execute INI(61).	Same as CPM2C.	Not supported.
Interval timer	One-shot mode	Yes	Same as CPM2C.	Same as CPM2C.
	Scheduled interrupt mode	Yes	Same as CPM2C.	Same as CPM2C.

Item		CPM2C/CPM2A	CPM1A
Quick-response inputs	Setting the quick-response function	PC Setup	PC Setup and INT(89) (Unmask interrupt input.)
	INT(89) (Mask)	Not supported (ignored)	Supported.
	INT(89) (Read mask)	Reads mask status.	Reads result of mask setting.
	INT(89) (Clear)	Not supported (ignored)	Supported.
	Minimum pulse width	50 μ s min.	200 μ s min.
High-speed counter	Count mode	Differential-phase (up/down) mode Pulse plus direction mode Up/down pulse mode Increment mode	Differential-phase (up/down) mode Increment mode
	Max. counter frequency	5 kHz in differential-phase (up/down) mode 20 kHz in pulse plus direction mode, up/down pulse mode, and increment mode	2.5 kHz in differential-phase (up/down) mode, 5 kHz in increment mode
	Counter PV range	-8,388,608 to 8,388,607 in differential-phase (up/down) mode, pulse plus direction mode, and up/down pulse mode 0 to 16,777,215 in increment mode	-32,768 to 32,767 in differential-phase (up/down) mode 0 to 65,535 in increment mode
	Check when registering target value match table	Same direction, same SV not possible	Same direction, same SV possible
	Method used to reference the target value match interrupt table	Comparison of all values in the table, regardless of order of appearance in table	Comparison in order of appearance in table
	Reading range-comparison results	Check AR 1100 to AR 1107 or execute PRV(62).	Check AR 1100 to AR 1107.
	Reading status	Check AR 1108 (comparison in progress), check AR 1109 (high-speed counter PV overflow/underflow), or execute PRV(62).	---
	Pulse synchronization	Supported.	Not supported.
Pulse output control	Trapezoidal acceleration/deceleration	Supported with ACC(—). The initial frequency can be set.	Not supported.
	PWM(—) output	Supported.	Not supported.
	Number of simultaneous pulse outputs	2 max.	1 max.
	Maximum frequency	10 kHz max.	2 kHz max.
	Minimum frequency	10 Hz	20 Hz
	Pulse output quantity	-16,777,215 to 16,777,215	0 to 16,777,215
	Direction control	Supported.	Not supported.
	Positioning to absolute positions	Supported.	Not supported.
	Bit status while pulses are being output	No effect	Turned ON/OFF by pulse output
	Reading PV	Read SR 228 through SR 231 or execute PRV(62).	Not supported.
	Resetting PV	Supported.	Not supported.
	Status outputs	Accelerating/decelerating PV overflow/underflow Pulse quantity set Pulse output completed Pulse output status	Pulse output status

Item		CPM2C	CPM2A	CPM1A
Analog controls		None	2	2
Clock function		Internal or none	Internal	None
	Words containing time info.	AR 17 to AR 21	AR 17 to AR 21	---
Analog I/O		Analog I/O Units can be connected.	Same as CPM2C.	Same as CPM2C.
Temperature monitoring		The CPU Unit can receive temperature sensor input from either thermocouples or platinum resistance thermometers.	Same as CPM2C.	Same as CPM2C.
CompoBus/S communications		A CompoBus/S I/O Link Unit can be connected to provide CompoBus/S Slave functions.	Same as CPM2C.	Same as CPM2C.
Communications switch		This switch determines whether communications are governed by the standard settings or PC Setup settings. Also sets the Programming Device connection.	This switch determines whether communications are governed by the standard settings or PC Setup settings.	None
Battery	Battery	CPU Unit with clock: Internal lithium battery backup CPU Unit without clock: Capacitor backup or optional lithium battery backup	Lithium	None (capacitor backup only)
	Battery replacement	Possible	Possible	---
	Life expectancy/ backup time	CPU Unit with clock: 2-year lifetime at 25°C CPU Unit without clock (capacitor): 10-day backup at 25°C CPU Unit without clock (lithium battery): 5-year lifetime at 25°C	5-year lifetime at 25°C	20-day backup at 25°C
	Battery error detection	Supported.	Same as CPM2C.	---

Item		CPM2C	CPM2A	CPM1A
Communications (in CPU Unit)	Peripheral port (via communications port)	Programming Console (Set with Communications Switch.) Peripheral bus (Set with Communications Switch.) Host Link (with Slave-initiated communications) No-protocol	Programming Console (auto-detect) Peripheral bus (auto-detect) Host Link (with Slave-initiated communications) No-protocol	Programming Console (auto-detect) Peripheral bus (auto-detect) Host Link 1:1 PC Lnk 1:1 NT Link
	RS-232C port (via communications port)	Peripheral bus (Set with Communications Switch.) Host Link No-protocol 1:1 PC Lnk 1:1 NT Link	Peripheral bus (auto-detect) Host Link No-protocol 1:1 PC Lnk 1:1 NT Link	None
Input time constant		Can be set to 1, 2, 3, 5, 10, 20, 40, or 80 ms. (Default: 10 ms)	Same as CPM2C.	Can be set to 1, 2, 4, 8, 16, 32, 64, or 128 ms. (Default: 8 ms)

Note An optional battery (CPM2C-BAT01) can be mounted to CPU Units without clocks.


Differences in Instruction Sets

Instructions added to the CPM2C

Mnemonic	Name
TXD(48)	TRANSMIT
RXD(47)	RECEIVE
SCL(66)	SCALING
SCL2(—)	SIGNED BINARY TO BCD SCALING
SCL3(—)	BCD TO SIGNED BINARY SCALING
SRCH(—)	DATA SEARCH
MAX(—)	FIND MAXIMUM
MIN(—)	FIND MINIMUM
SUM(—)	SUM CALCULATION
FCS(—)	FCS CALCULATE
HEX(—)	ASCII-TO-HEXADECIMAL
AVG(—)	AVERAGE VALUE
PWM(—)	PULSE WITH VARIABLE DUTY RATIO
PID(—)	PID CONTROL
ZCP(—)	AREA RANGE COMPARE
ZCPL(—)	DOUBLE AREA RANGE COMPARE
NEG(—)	2'S COMPLEMENT
ACC(—)	ACCELERATION CONTROL
STUP(—)	CHANGE RS-232C SETUP
SYNC(—)	SYNCHRONIZED PULSE CONTROL
BINL(58)	DOUBLE BCD TO DOUBLE BINARY
BCDL(59)	DOUBLE BINARY TO DOUBLE BCD
TMHH(—)	VERY HIGH-SPEED TIMER
TIML(—)	LONG TIMER
SEC(—)	HOURS-TO-SECONDS
HMS(—)	SECONDS-TO-HOURS

Instructions with Changed Specifications

Mnemonic	Name	CPM2C	CPM1A
INI(61)	MODE CONTROL	Supports the interrupt input (counter mode) PV change operation. Supports the pulse output PV change operation. Supports the pulse synchronization control stop operation.	Does not support these operations.
PRV(62)	HIGH-SPEED COUNTER PV READ	Supports the interrupt input (counter mode) PV read operation. Supports the pulse output PV read operation.	Does not support these operations.
CTBL(63)	COMPARISON TABLE LOAD	The count is compared with all of the target values in the target value comparison table.	The count is compared with each target value in the order that they appear in the target value comparison table.
PULS(65)	SET PULSES	Supports absolute pulse specification, but the coordinate system must be set to absolute coordinates.	Does not support absolute pulse specification.
INT(89)	INTERRUPT CONTROL	Supports a count-up interrupt for incrementing counters.	Does not support this interrupt function.

 **Caution** Before using a CPM1A program containing one or more of the instructions in the table above, check the program to be sure that it will operate properly and edit the program if necessary. The CPM2C may not operate properly if a CPM1A program with these instructions is transferred and executed unchanged.

Added Function Code Allocations

The following three instructions are allocated function codes that were not used in the CPM1A.

Instruction	CPM2C	CPM1A
RXD(47)	RECEIVE	Not allocated. (NOP(00))
TXD(48)	TRANSMIT	
SCL(66)	SCALING	

Differences in I/O Memory

SR Area Differences

The following table shows differences in the SR area. (PV is the abbreviation for present value.)

Function	CPM2C	CPM1A
Pulse output 0 PV	SR 228 to SR 229	Not supported.
Pulse output 1 PV	SR 230 to SR 231	
Pulse output 0 PV Reset Bit	SR 25204	
Pulse output 1 PV Reset Bit	SR 25205	
RS-232C Port Reset Bit	SR 25209	
Battery Error Flag	SR 25308	
Changing RS-232C Port Setup Flag	SR 25312	

AR Area Differences

The following table shows differences in the AR area.

Function	CPM2C	CPM1A
Clock/calendar data	AR 17 to AR 21	Not supported.
RS-232C Communications Error Code	AR 0800 to AR 0803	
RS-232C Error Flag	AR 0804	
RS-232C Transmission Enabled Flag	AR 0805	
RS-232C Reception Completed Flag	AR 0806	
RS-232C Reception Overflow Flag	AR 0807	
Peripheral Port Reception Completed Flag	AR 0814	
Peripheral Port Reception Overflow Flag	AR 0815	
RS-232C Reception Counter	AR 09	
High-speed Counter Comparison Flag	AR 1108	
High-speed Counter Overflow/Underflow Flag	AR 1109	
Pulse Output 0 Output Condition	AR 1111	
Pulse Output 0 PV Overflow/Underflow Flag	AR 1112	
Pulse Output 0 Pulse Quantity Set Flag	AR 1113	
Pulse Output 0 Output Completed Flag	AR 1114	
Pulse Output 1 PV Overflow/Underflow Flag	AR 1212	
Pulse Output 1 Pulse Quantity Set Flag	AR 1213	
Pulse Output 1 Output Completed Flag	AR 1214	
Pulse Output 1 Output Status	AR 1215	
Power OFF Counter	AR 23 (See note.)	AR 10

Note CPM1A programs that use AR 10 (the Power OFF Counter) cannot be used in the CPM2C without editing the program. In the CPM2C, the Power OFF Counter is in AR 23.

DM Area Differences

The following table shows differences in the DM area other than the PC Setup.

Function	CPM2C	CPM1A
Error Log Area	DM 2000 to DM 2021	DM 1000 to DM 1021

Note CPM1A programs that use the Error Log Area cannot be used in the CPM2C without editing the program to change the location of the Error Log Area.

The following table shows differences in the PC Setup.

Function	CPM2C	CPM1A
RS-232C Port Servicing Time Setting	DM 6616 bits 00 to 07	Not supported
RS-232C Port Servicing Time Enable	DM 6616 bits 08 to 15	
Pulse Output 0 Coordinate System	DM 6629 bits 00 to 03	
Pulse Output 1 Coordinate System	DM 6629 bits 04 to 07	
RS-232C Communications Settings Selector	DM 6645 bits 00 to 03	
RS-232C Port CTS Control Settings	DM 6645 bits 04 to 07	
RS-232C Port Link Words for 1:1 PC Link	DM 6645 bits 08 to 11	
RS-232C Port Communications Mode	DM 6645 bits 12 to 15	
RS-232C Port Baud Rate	DM 6646 bits 00 to 07	
RS-232C Port Frame Format	DM 6646 bits 08 to 15	
RS-232C Port Transmission Delay	DM 6647	
RS-232C Port Host Link Node Number	DM 6648 bits 00 to 07	
RS-232C Port No-protocol Start Code Enable	DM 6648 bits 08 to 11	
RS-232C Port No-protocol End Code Enable	DM 6648 bits 12 to 15	
RS-232C Port No-protocol Start Code Setting	DM 6649 bits 00 to 07	
RS-232C Port No-protocol End Code Setting or Number of Bytes Received	DM 6649 bits 08 to 15	
Peripheral Port No-protocol Start Code Enable	DM 6653 bits 08 to 11	
Peripheral Port No-protocol End Code Enable	DM 6653 bits 12 to 15	
Peripheral Port No-protocol Start Code Setting	DM 6654 bits 00 to 07	
Peripheral Port No-protocol End Code Setting or Number of Bytes Received	DM 6654 bits 08 to 15	
Battery Error Detect Setting	DM 6655 bits 12 to 15	

1-6 Preparation for Operation

Follow the steps listed below when setting up a CPM2C system.

- 1, 2, 3...**
1. System Design
 - Select a CPM2C CPU Unit, Expansion Units, and Expansion I/O Units with the specifications required in the controlled system.
 - Design external fail-safe circuits such as interlock circuits and limit circuits. Refer to *2-1 Specifications* and *3-1 Design Precautions* for details.
 2. Installation
 - Connect the Expansion Units and Expansion I/O Units.
 - Install the CPU Unit. (DIN-track installation)
 Refer to *3-3 Installing the CPM2C* and *3-4 Wiring and Connections* for details.
 3. Wiring
 - Wire the power supply and I/O devices.
 - Connect communications devices if necessary.
 - Connect the Programming Console.
 Refer to *3-4 Wiring and Connections*, *4-3 Using a Programming Console*, for details.
 4. Initial Settings
 - Set the Communications Switches on the front of the CPU Unit, if necessary. (The switches must be set when a device other than the Programming Console is connected or the standard communications settings are not used.)
 - Connect the Programming Console, set the mode switch to PROGRAM mode, and turn ON the PC.

- Check the CPU Unit's LED indicators and the Programming Console's display.
- Clear the PC's memory. (All Clear)
- Make PC Setup settings.

Refer to 3-3 *Installing the CPM2C* and 4-3-4 *Preparation for Operation* for details.

5. Create Ladder Program

- Create a ladder program to control the system.

Refer to *Section 4 Using Programming Devices* and the *Programming Manual* for details.

6. Write Ladder Program in PC

- Write the ladder program in the PC with the Programming Console or transfer the program to the PC from the Support Software.

Refer to *Section 4 Using Programming Devices*, to the *SYSMAC Support Software Operation Manuals* and to the *CPT User Manual* for details.

7. Test Run

- Check I/O wiring in PROGRAM mode.
- Check and debug program execution in MONITOR mode.

Refer to *Section 5 Test Runs and Error Processing* for details.

SECTION 2

Unit Components and Specifications

This section describes the main components of the Units that go together to create a CPM2C PC and provides the technical specifications of the Units.

2-1	Specifications	30
2-1-1	General Specifications	30
2-1-2	Characteristics	30
2-1-3	AC Power Supply Unit Specifications	33
2-1-4	I/O Specifications	34
2-2	Unit Components	40
2-2-1	CPU Unit Components	40
2-2-2	Expansion I/O Units	45
2-2-3	CPM2C-MAD11 Analog I/O Unit	51
2-2-4	CPM2C-TS001/TS101 Temperature Sensor Units	52
2-2-5	CPM2C-SRT21 CompoBus/S I/O Link Unit	53
2-2-6	CPM2C-CIF01 Peripheral/RS-232C Adapter Unit	54
2-2-7	CPM2C-CIF11 RS-422/RS-232C Adapter Unit	55
2-2-8	AC Power Supply Unit	58

2-1 Specifications

2-1-1 General Specifications

Item	CPU Units with 10 I/O points		CPU Units with 20 I/O points transistor outputs	Expansion I/O Units and Expansion Units
	Relay outputs	Transistor outputs		
Supply voltage	24 VDC			
Operating voltage range	20.4 to 26.4 VDC			
Power consumption	4 W		CPM2C-10EDR: 1 W CPM2C-8ER: 2 W CPM2C-24EDTC: 1 W CPM2C-24EDT1C: 1 W CPM2C-8/16EDC: 1 W CPM2C-8ETC: 1 W CPM2C-8ET1C: 1 W CPM2C-16ETC: 1 W CPM2C-16ET1C: 1 W CPM2C-MAD11: 3.5 W CPM2C-TS001: 1.5 W CPM2C-TS101: 1.5 W CPM2C-SRT21: 1 W	
Inrush current	25 A max.			
Insulation resistance	20 MΩ min. (at 500 VDC) between insulated circuits			
Dielectric strength	1,500 VAC for 1 min (between insulated circuits)			
Noise immunity	Conforms to IEC61000-4-4; 2 kV (power lines)			
Vibration resistance	10 to 57 Hz, 0.075-mm double amplitude, 57 to 150 Hz, acceleration: 9.8 m/s ² in X, Y, and Z directions for 80 minutes each (Time coefficient; 8 minutes × coefficient factor 10 = total time 80 minutes)			
Shock resistance	147 m/s ² three times each in X, Y, and Z directions			
Ambient temperature	Operating: 0 to 55°C Storage: -20 to 75°C (except for the battery)			
Humidity	10% to 90% (with no condensation)			
Atmosphere	Must be free from corrosive gas			
Power interrupt time	2 ms min.			

2-1-2 Characteristics

Item	CPU Unit Specification		
	10 I/O points (Relay outputs)	10 I/O points (Transistor outputs)	20 I/O points (Transistor outputs)
Control method	Stored program method		
I/O control method	Cyclic scan with direct output (Immediate refreshing can be performed with IORF(97).)		
Programming language	Ladder diagram		
Instruction length	1 step per instruction, 1 to 5 words per instruction		
Instructions	Basic instructions: 14 Special instructions: 105 instructions, 185 variations		
Execution time	Basic instructions: 0.64 μs (LD instruction) Special instructions: 7.8 μs (MOV instruction)		
Program capacity	4,096 words		
Max. I/O capacity	CPU Unit only	10 points	20 points
	With Expansion I/O Units and Expansion Units	130 points max.	140 points max.

Item	CPU Unit Specification		
	10 I/O points (Relay outputs)	10 I/O points (Transistor outputs)	20 I/O points (Transistor outputs)
Input bits	IR 00000 to IR 00915 (Words not used for input bits can be used for work bits.)		
Output bits	IR 01000 to IR 01915 (Words not used for output bits can be used for work bits.)		
Work bits	928 bits: IR 02000 to IR 04915 and IR 20000 to IR 22715		
Special bits (SR area)	448 bits: SR 22800 to SR 25515		
Temporary bits (TR area)	8 bits (TR0 to TR7)		
Holding bits (HR area)	320 bits: HR 0000 to HR 1915 (Words HR 00 to HR 19)		
Auxiliary bits (AR area)	384 bits: AR 0000 to AR 2315 (Words AR 00 to AR 23)		
Link bits (LR area)	256 bits: LR 0000 to LR 1515 (Words LR 00 to LR 15)		
Timers/Counters	256 timers/counters (TIM/CNT 000 to TIM/CNT 255) 1-ms timers: TMHH(—) 10-ms timers: TIMH(15) 100-ms timers: TIM 1-s/10-s timers: TIML(—) Decrementing counters: CNT Reversible counters: CNTR(12)		
Data memory	Read/Write: 2,048 words (DM 0000 to DM 2047)* Read-only: 456 words (DM 6144 to DM 6599) PC Setup: 56 words (DM 6600 to DM 6655) *The Error Log is contained in DM 2000 to DM 2021.		
Interrupt processing	2 interrupts	2 interrupts	4 interrupts
	Shared by the external interrupt inputs (counter mode) and the quick-response inputs.		
Interval timer interrupts	1 (Scheduled Interrupt Mode or Single Interrupt Mode)		
High-speed counter	One high-speed counter: 20 kHz single-phase or 5 kHz two-phase (linear count method) Counter interrupt: 1 (set value comparison or set-value range comparison)		
Interrupt Inputs (Counter mode)	2 inputs	2 inputs	4 inputs
	Shared by the external interrupt inputs and the quick-response inputs.		
Pulse output	Two points with no acceleration/deceleration, 10 Hz to 10 kHz each, and no direction control. One point with trapezoid acceleration/deceleration, 10 Hz to 10 kHz, and direction control. Two points with variable duty-ratio outputs. (Pulse outputs can be used with transistor outputs only, they cannot be used with relay outputs.)		
Synchronized pulse control	One point: A pulse output can be created by combining the high-speed counter with pulse outputs and multiplying the frequency of the input pulses from the high-speed counter by a fixed factor. (This output is possible with transistor outputs only, it cannot be used with relay outputs.)		
Quick-response inputs	2 inputs	2 inputs	4 inputs
	Shared by the external interrupt inputs and the interrupt inputs (counter mode). Min. input pulse width: 50 μs max.		
Input time constant (ON response time = OFF response time)	Can be set for all input points. (1 ms, 2 ms, 3 ms, 5 ms, 10 ms, 20 ms, 40 ms, or 80 ms)		
Clock function	Shows the year, month, day of the week, day, hour, minute, and second. (Battery backup) The following CPU Units have a built-in clock: CPM2C-10C1DR-D, CPM2C-10C1DTC-D, CPM2C-10C1DT1C-D, CPM2C-20C1DTC-D, and CPM2C-20C1DT1C-D.		
Communications functions	A CPM2C-CN111, CS1W-CN114, or CS1W-CN118 Connecting Cable is required to connect to the CPM2C's communications port. The communications port can be used as both a peripheral and RS-232C port. Peripheral port: Supports Host Link, peripheral bus, no-protocol, or Programming Console connections. RS-232C port: Supports Host Link, no-protocol, 1:1 Slave Unit Link, 1:1 Master Unit Link, or 1:1 NT Link connections.		

Item	CPU Unit Specification		
	10 I/O points (Relay outputs)	10 I/O points (Transistor outputs)	20 I/O points (Transistor outputs)
Functions provided by Expansion Units	Analog I/O Unit: Provides 2 analog inputs and 1 analog output. Temperature Sensor Unit: Provides up to 8 thermocouple or platinum resistance thermometer inputs. CompoBus/S I/O Link Unit: Provides 8 inputs and 8 outputs as a CompoBus/S Slave.		
Memory protection (See notes 1 and 2.)	HR area, AR area, program contents, read/write DM area contents, and counter values maintained during power interruptions.		
Memory backup (See notes 1 and 2.)	Flash memory: Program, read-only DM area, and PC Setup Memory backup: The read/write DM area, HR area, AR area, and counter values are backed up. CPU Unit with clock (battery): 2-year lifetime at 25°C CPU Unit without clock (capacitor): 10-day backup at 25°C CPU Unit without clock (lithium battery): 5-year lifetime at 25°C		
Self-diagnostic functions	CPU Unit failure (watchdog timer), I/O bus error, battery error, and memory failure		
Program checks	No END instruction, programming errors (checked when operation is started)		

- Note**
1. The DM area, HR area, AR area, and counter values are backed up. If the backup battery or capacitor is discharged, the contents of these areas will be lost and the data values will revert to the defaults.
 2. The contents of the program area, read-only DM area (DM 6144 to DM 6599), and PC Setup (DM 6600 to DM 6655) are stored in flash memory. The contents of these areas will be read from flash memory the next time the power is turned ON, even if the backup battery or capacitor is discharged.
- When data has been changed in any of these areas, write the new values to flash memory by switching the CPM2C to MONITOR or RUN mode, or by turning the power OFF and then ON again.

2-1-3 AC Power Supply Unit Specifications

Item		Specification	
Rating		24 VDC, 600 mA	
Efficiency		75% min. (at rated output)	
Input conditions	Rated voltage	100 to 240 VAC	
	Frequency	47 to 63 Hz	
	Allowable voltage range	85 to 264 VAC	
	Current	100 V	0.4 A
		200 V	0.2 A
	Leakage current	100 V	0.5 mA max. (at rated output)
		200 V	1 mA max. (at rated output)
	Inrush current	100 V	15 A (at 25°C cold start)
200 V		30 A (at 25°C cold start)	
Output characteristics	Output voltage accuracy	10%/–15% (including input, load, and temperature fluctuations)	
	Minimum output current	30 mA	
	Ripple noise voltage	2% (p-p) max.	
	Input fluctuation	0.75% max.	
	Load fluctuation	4% max.	
	Temperature fluctuation	0.05%/°C max.	
	Startup time	300 ms max. (at input voltage of 100 VAC or 200 VAC and the rated output)	
	Output hold time	10 ms (at input voltage of 100 VAC or 200 VAC and the rated output)	
Overcurrent protection		Self-resetting, operates at 105% to 350% of the rated current, suspended and independent operation	
Overvoltage protection		None	
Ambient operating temperature		0 to 55°C	
Ambient storage temperature		–20 to 75°C	
Ambient operating humidity		10% to 90% (no condensation)	
Dielectric strength		2,000 V for 1 min between all inputs and GR Leakage current: 10 mA 3,000 V for 1 min between all inputs and all outputs Leakage current: 10 mA 1,000 V for 1 min between all outputs and GR Leakage current: 10 mA	
Insulation resistance		100 MΩ min. at 500 VDC between all outputs and any input, and between all outputs and GR	
Vibration resistance		10 to 57 Hz, amplitude, 57 to 150 Hz, acceleration: 9.8 m/s ² in X, Y, and Z directions for 80 minutes according (Time coefficient: 8 minutes × coefficient factor 10 = total time 80 min.)	
Shock resistance		147 m/s ² 3 times each in X, Y, and Z directions	
Noise terminal voltage		FCC class A	

2-1-4 I/O Specifications

CPU Unit Input Specifications

Item	Inputs	Specification
Input voltage	All	24 VDC +10%/-15%
Input impedance	IN00000 to IN00001	2.7 kΩ
	IN00002 to IN00006	3.9 kΩ (IN00002 to IN00004 for CPU Units with 10 I/O points)
	IN00007 and up	4.7 kΩ (IN00005 for CPU Units with 10 I/O points)
Input current	IN00000 to IN00001	8 mA typical
	IN00002 to IN00006	6 mA typical (IN00002 to IN00004 for CPU Units with 10 I/O points)
	IN00007 and up	5 mA typical (IN00005 for CPU Units with 10 I/O points)
ON voltage/current	IN00000 to IN00001	17 VDC min., 5 mA
	IN00002 and up	14.4 VDC min., 3.5 mA
OFF voltage/current	All	5.0 VDC max., 1.1 mA
ON delay	All	1 to 80 ms max. Default: 10 ms (See note.)
OFF delay	All	1 to 80 ms max. Default: 10 ms (See note.)
Circuit configuration	IN00000 to IN00001	
	IN00002 to IN00006 (IN00002 to IN00004 for CPU Units with 10 I/O points)	
	IN00007 and up (IN00005 for CPU Units with 10 I/O points)	

Note The input time constant can be set to 1, 2, 3, 5, 10, 20, 40, or 80 ms in the PC Setup.

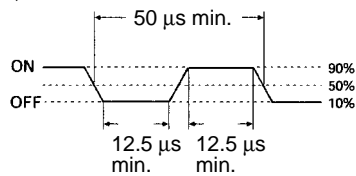
High-speed Counter Inputs

The following CPU Unit input bits can be used as high-speed counter inputs. The maximum count frequency is 5 kHz in differential phase mode and 20 kHz in the other modes.

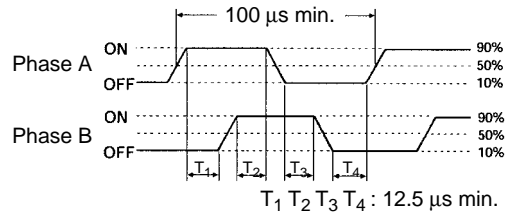
Input	Function			
	Differential phase mode	Pulse plus direction input mode	Up/down input mode	Increment mode
IN00000	A-phase pulse input	Pulse input	Increment pulse input	Increment pulse input
IN00001	B-phase pulse input	Direction input	Decrement pulse input	Normal input
IN00002	Z-phase pulse input or hardware reset input (IN00002 can be used as a normal input when it is not used as a high-speed counter input.)			

The minimum pulse widths for inputs IN00000 (A-phase input) and IN00001 (B-phase input) are as follows:

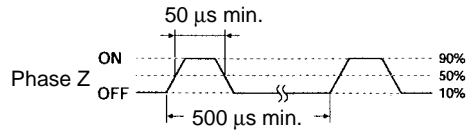
Pulse plus direction input mode, Up/down input mode, Increment mode



Differential phase mode



The minimum pulse width for input IN00002 (Z-phase input) is as follows:

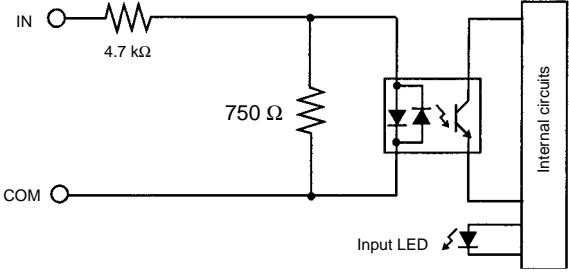


Interrupt Inputs

CPM2C PCs are equipped with inputs that can be used as interrupt inputs (interrupt input mode or counter mode) and quick-response inputs. The minimum pulse width for these inputs is 50 μs.

In CPU Units with 10 I/O points, inputs IN00003 and IN00004 can be used as interrupt inputs. In CPU Units with 20 I/O points, inputs IN00003 through IN00006 can be used as interrupt inputs.

Expansion I/O Unit Input Specifications

Item	Specification
Input voltage	24 VDC +10%/−15%
Input impedance	4.7 kΩ
Input current	5 mA typical
ON voltage/current	14.4 VDC min., 3.5 mA
OFF voltage/current	5.0 VDC max., 1.1 mA
ON delay	1 to 80 ms max. Default: 10 ms (See note.)
OFF delay	1 to 80 ms max. Default: 10 ms (See note.)
Circuit configuration	

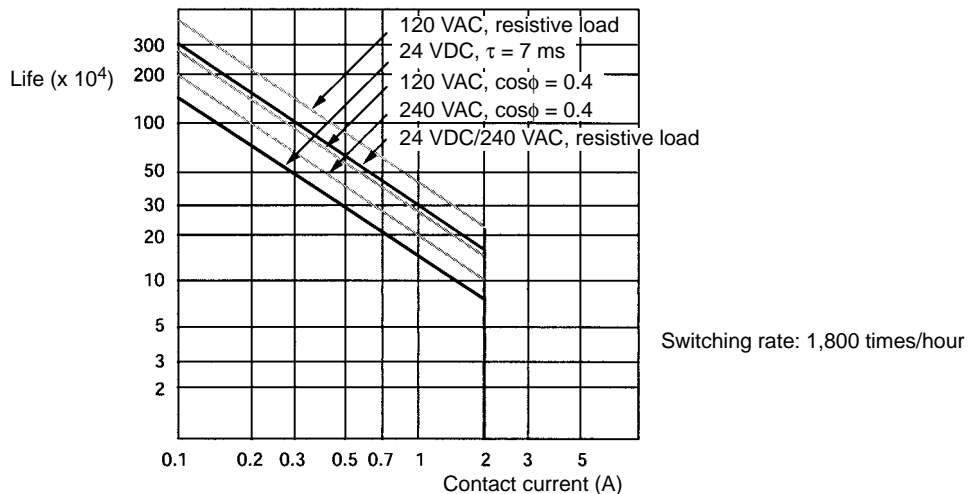
Note The input time constant can be set to 1, 2, 3, 5, 10, 20, 40, or 80 ms in the PC Setup.

CPU Unit and Expansion I/O Unit Output Specifications

Relay Outputs

Item	Specification
Max. switching capacity	2 A, 250 VAC ($\cos\phi = 1$) 2 A, 24 VDC (4 A/common)
Min. switching capacity	10 mA, 5 VDC
Service life of relay (See note.)	Electrical: 150,000 operations (24-VDC resistive load) 100,000 operations (240-VAC inductive load, $\cos\phi = 0.4$) Mechanical: 20,000,000 operations
ON delay	15 ms max.
OFF delay	15 ms max.
Circuit configuration	

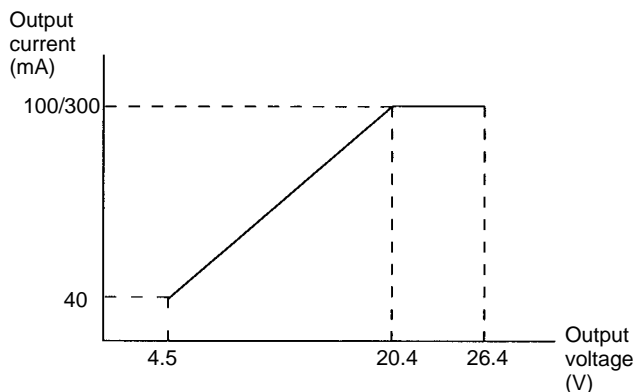
Note The service life of relay output contacts shown in the table assumes the worst conditions. The following graph shows the results of OMRON's service life tests at a switching rate of 1,800 times/hour.



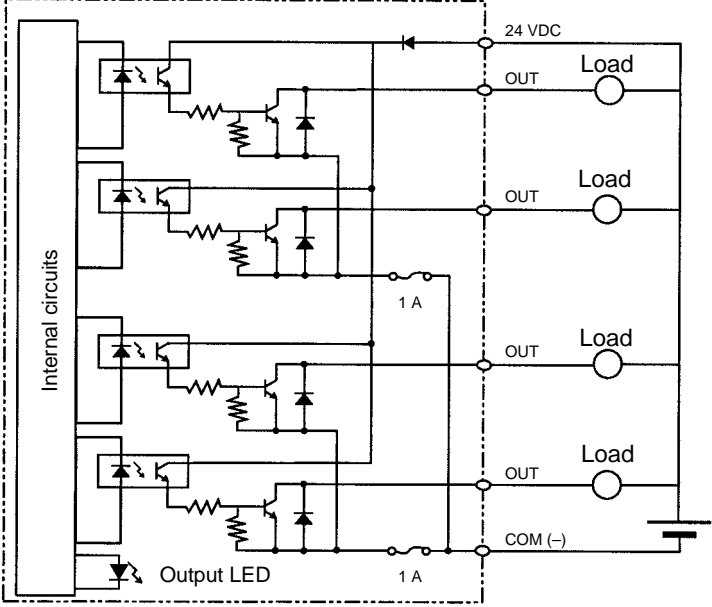
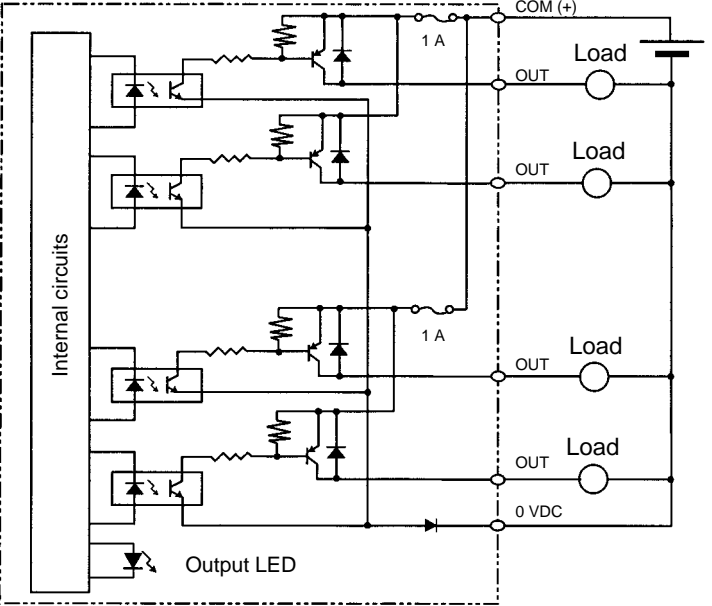
Transistor Outputs (Sinking or Sourcing)

Item	Specification
Max. switching capacity (See note)	OUT01□00 to OUT01□07: 40 mA/4.5 VDC to 300 mA/20.4 VDC, 300 mA (20.4 VDC to 26.4 VDC) OUT01□08 to OUT01□15: 40 mA/4.5 VDC to 100 mA/20.4 VDC, 100 mA (20.4 VDC to 26.4 VDC) When using OUT01000 or OUT01001 as a pulse output, connect a dummy resistor as required to bring the load current between 10 and 150 mA. If the load current is below 10 mA, the ON/OFF response time will be longer and high-speed pulses will not be output. The transistor will heat if used at 150 mA or higher, possibly damaging elements.
Min. switching capacity	0.5 mA
Max. inrush current	0.9 A for 10 ms (charging and discharging waveform)
Leakage current	0.1 mA max.
Residual voltage	0.8 V max.
ON delay	OUT01000 and OUT01001: 20 μs max. OUT01002 and up: 0.1 ms max.
OFF delay	OUT01000 and OUT01001: 40 μs max. 10 to 300 mA 0.1 ms max. 0.5 to 10 mA OUT01002 and up: 1 ms max.
Fuse	1 fuse for each 2outputs (cannot be replaced by user)

Note The following graph shows the maximum switching capacity.



Caution Do not apply voltage in excess of the maximum switching capacity to an output terminal. It may result in damage to the product or fire.

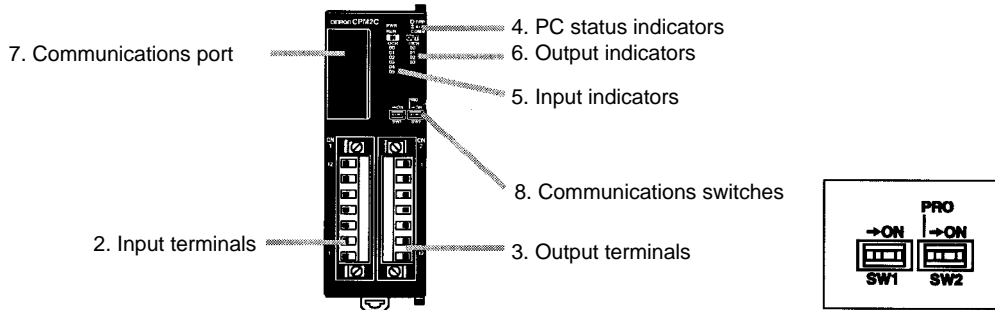
Item	Specification
Circuit configuration	<p>Sinking Outputs</p>  <p>Sourcing Outputs</p> 

2-2 Unit Components

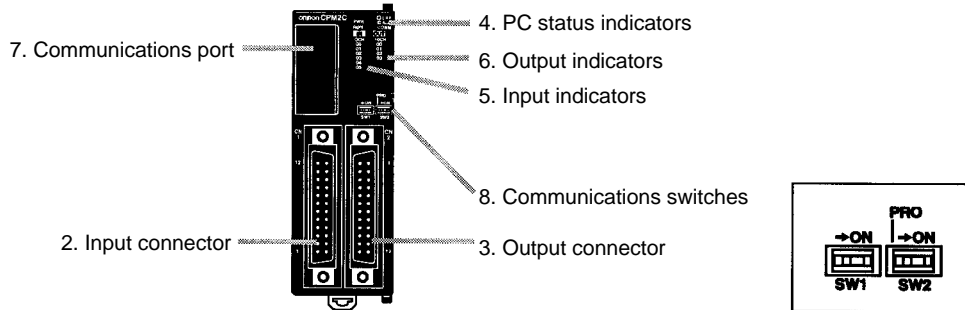
2-2-1 CPU Unit Components

CPU Unit Component Names

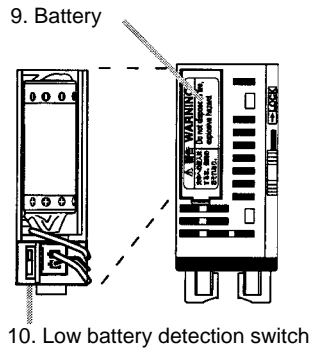
Front View: CPU Unit with Relay Outputs



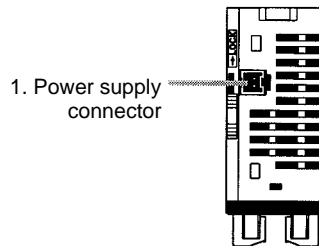
Front View: CPU Unit with Transistor Outputs



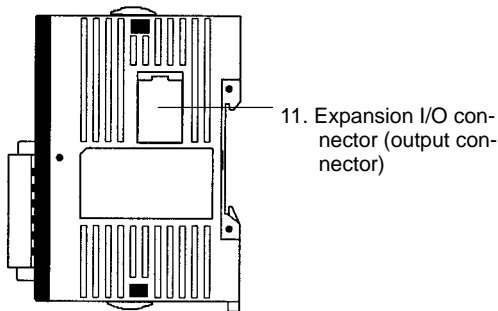
Top View



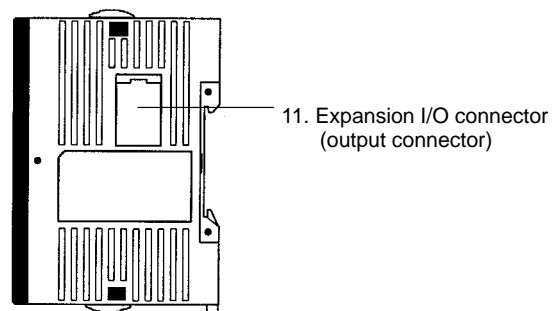
Bottom View



Right Side: CPU Unit with Relay Outputs



Right Side: CPU Unit with Transistor Outputs



CPU Unit Component Descriptions

- 1, 2, 3... 1. Power Supply Connector
Connect the power supply (24 VDC) to this connector.
2. Input Terminals/Connector
Connects the CPU Unit to external input devices.
3. Output Terminals/Connector
Connects the CPU Unit to external output devices.
4. PC Status Indicators
These indicators show the operating status of the PC, as shown in the following table.

Indicator	Status	Meaning
PWR (green)	ON	Power is being supplied to the PC.
	OFF	Power isn't being supplied to the PC.
RUN (green)	ON	The PC is operating in RUN or MONITOR mode.
	OFF	The PC is in PROGRAM mode or a fatal error has occurred.
COMM (yellow)	Flashing	Data is being transferred via the communications port (peripheral or RS-232C).
	OFF	Data isn't being transferred via communications port.
ERR/ALARM (red)	ON	A fatal error has occurred. (PC operation stops.)
	Flashing	A non-fatal error has occurred. (PC operation continues.)
	OFF	Indicates normal operation.
PRO (green)	ON	The CPU Unit is set for Programming Console connection.
	OFF	The CPU Unit is not set for Programming Console connection.

5. Input Indicators
The input indicators are lit when the corresponding input terminal is ON. The status of an input indicator will reflect the status of the input even when that input is being used for a high-speed counter.
- Note** a) When interrupt inputs are used in interrupt input mode, the indicator may not light even when the interrupt condition is met if the input is not ON long enough.
- b) Input indicators will reflect the status of the corresponding inputs even when the PC is stopped, but the corresponding input bits will not be refreshed.
6. Output Indicators
The output indicators are lit when the corresponding output terminal is ON. The indicators are lit during I/O refreshing. The status of an output indicator will also reflect the status of the corresponding output when the output is being used as a pulse output.
7. Communications Port
Connects the PC to a Programming Device (including Programming Consoles), host computer, or standard external device. Use a proper Connecting Cable (CPM2C-CN111, CS1W-CN114, or CS1W-CN118).
- Note** a) A C200H-PRO27-E Programming Console can be connected directly to the PC with a CS1W-CN224/CN624 Connecting Cable.
- b) Use a CPM2C-CN111 or CS1W-CN114 Connecting Cable to connect to the communications port as a peripheral port. The communications port can be used simultaneously as both a peripheral port and RS-232C port by using the CPM2C-CN111 Connecting Cable.

- c) Use a CPM2C-CN111 or CS1W-CN118 Connecting Cable to connect to the communications port as a RS-232C port. The communications port can be used simultaneously as both a peripheral port and RS-232C port by using the CPM2C-CN111 Connecting Cable

8. Communications Switches

The Communications Switches control the communications settings for the communications port (peripheral port and RS-232C port). (The standard settings are 1 start bit, 7 data bits, 2 stop bits, even parity, and 9,600 bps baud rate.)

Switch settings		Peripheral port communications	RS-232C port communications
SW1	SW2		
OFF	OFF	Programming Console connection	The settings in the PC Setup (DM 6645 to DM 6649) are used.
OFF	ON	Other Programming Device: The settings in the PC Setup (DM 6650 to DM 6654) are used.	
ON	OFF	Programming Console connection	The standard settings are used.
ON	ON	Other Programming Device: The standard settings are used.	

Be sure that Communications Switch 2 is OFF when connecting a Programming Console. The green PRO indicator on the front of the CPU Unit will be lit.

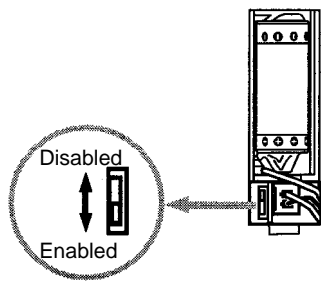
9. Battery

This battery backs up memory in CPU Units with an internal clock. The battery is connected when the Unit is shipped.

Note A battery is not included in CPU Units without an internal clock, but a CPM2C-BAT01 Battery can be purchased separately and connected to backup memory.

10. Low Battery Detection Switch

This switch enables or disables the detection of a low-battery error. When a battery is not connected, disable low-battery detection by sliding the switch back (toward the battery).



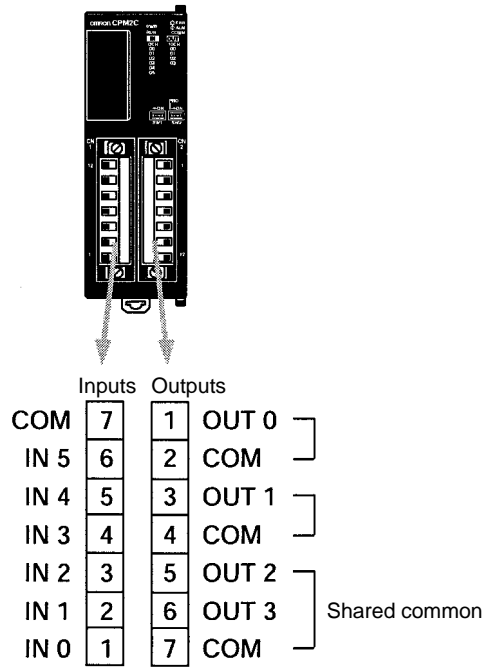
Switch position	Low-battery detection
Forward (away from battery)	Error detection enabled
Back (toward battery)	Error detection disabled

11. Expansion I/O Connector

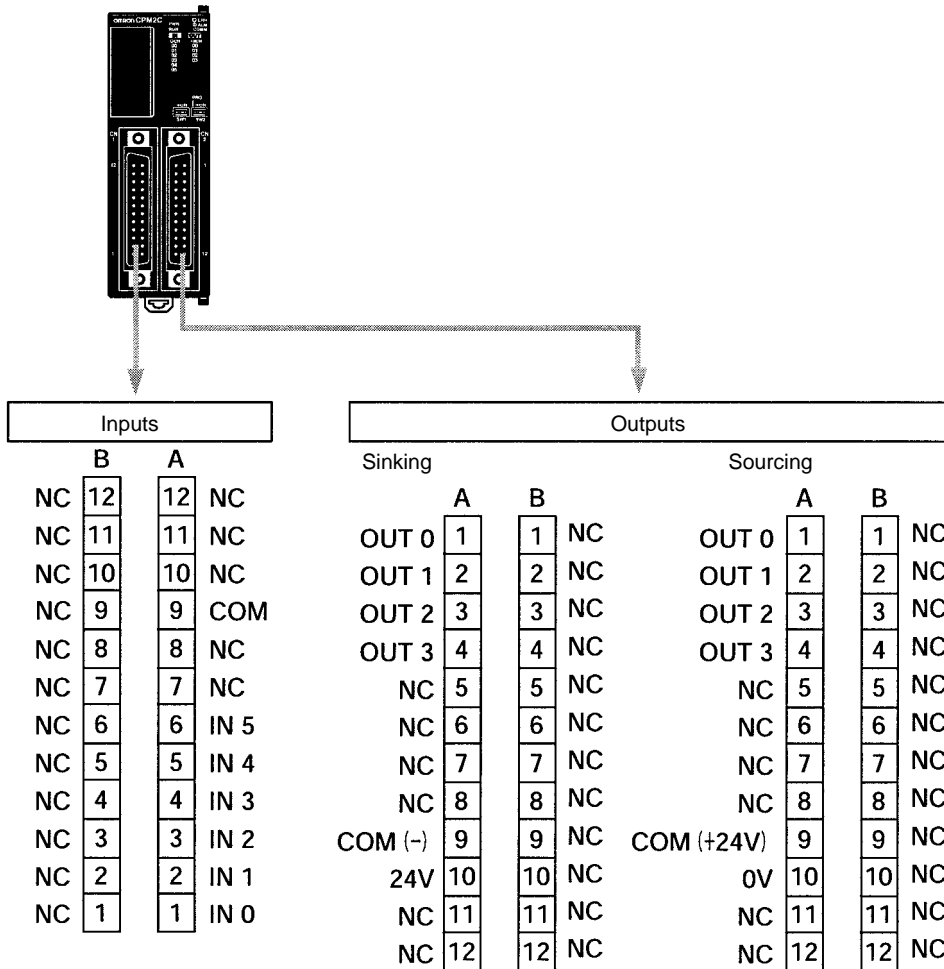
Connects the PC's CPU Unit to an Expansion I/O Unit or Expansion Unit. Up to 5 Expansion I/O Units and Expansion Units can be connected to a CPU Unit. A cover for the expansion I/O connector is included with the CPU Unit.

I/O Terminal and Connector Pin Allocation

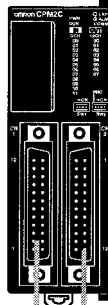
CPU Unit with 10 I/O Points and Relay Outputs



CPU Unit with 10 I/O Points and Transistor Outputs



CPU Unit with 20 I/O Points



Inputs			
	B	A	
NC	12	12	NC
NC	11	11	NC
NC	10	10	NC
COM	9	9	COM
NC	8	8	IN 7
NC	7	7	IN 6
NC	6	6	IN 5
NC	5	5	IN 4
IN 11	4	4	IN 3
IN 10	3	3	IN 2
IN 9	2	2	IN 1
IN 8	1	1	IN 0

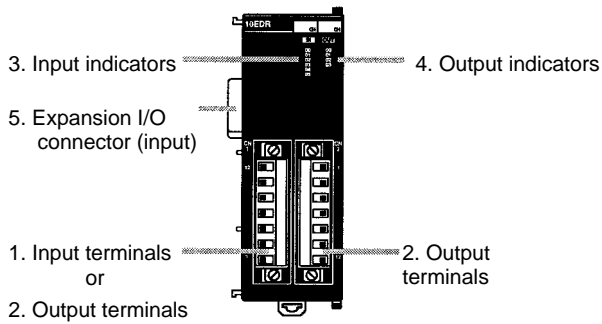
Outputs							
Sinking			Sourcing				
	A	B		A	B		
OUT 0	1	1	NC	OUT 0	1	1	NC
OUT 1	2	2	NC	OUT 1	2	2	NC
OUT 2	3	3	NC	OUT 2	3	3	NC
OUT 3	4	4	NC	OUT 3	4	4	NC
OUT 4	5	5	NC	OUT 4	5	5	NC
OUT 5	6	6	NC	OUT 5	6	6	NC
OUT 6	7	7	NC	OUT 6	7	7	NC
OUT 7	8	8	NC	OUT 7	8	8	NC
COM (-)	9	9	NC	COM (+24V)	9	9	NC
24V	10	10	NC	0V	10	10	NC
NC	11	11	NC	NC	11	11	NC
NC	12	12	NC	NC	12	12	NC

2-2-2 Expansion I/O Units

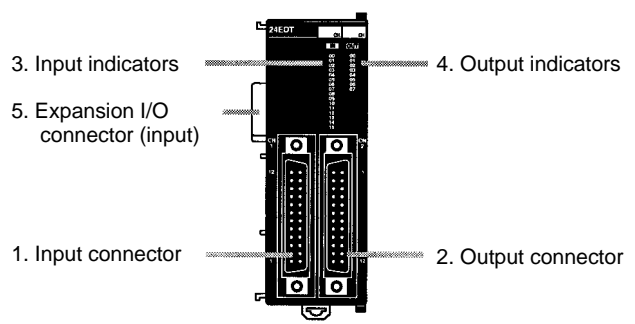
Expansion I/O Unit Components

Front View

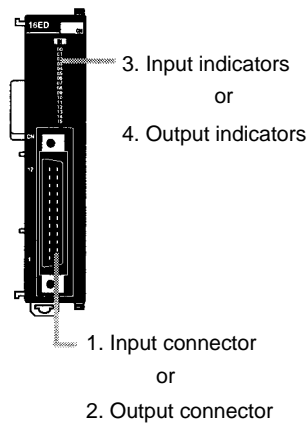
Expansion I/O Units with Relay Outputs



Expansion I/O Units with Transistor Outputs

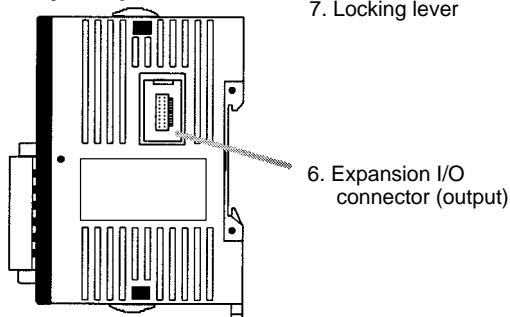


Expansion I/O Units with Transistor Outputs Only and Expansion I/O Units with Inputs Only

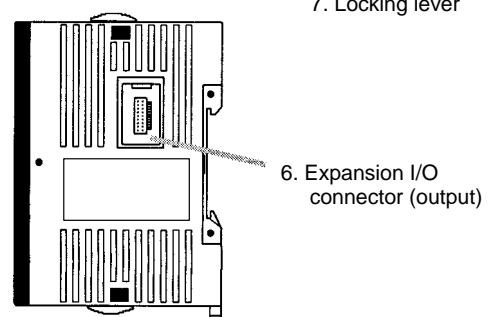


Right Side

Expansion I/O Units with Relay Outputs



Expansion I/O Units with Transistor Outputs and Expansion I/O Units with Inputs Only



1, 2, 3...

- 1. Input Terminals/Connector
Connects the CPU Unit to external input devices.
- 2. Output Terminals/Connector
Connects the CPU Unit to external output devices.

3. Input Indicators

The input indicators are lit when the corresponding input terminal is ON.

Note Input indicators will reflect the status of the corresponding inputs even when the PC is stopped, but the corresponding input bits will not be refreshed.

4. Output Indicators

The output indicators are lit when the corresponding output terminal is ON.

5. Expansion I/O Connector (Input)

Connects the Expansion I/O Unit to the CPU Unit or the previous Expansion Unit or Expansion I/O Unit.

Note The indicators are lit during I/O refreshing. The status of an output indicator will also reflect the status of the corresponding output when the output is being used as a pulse output.

6. Expansion I/O Connector (Output)

Connects the Expansion I/O Unit to the next Expansion I/O Unit or Expansion Unit, if necessary. Up to 5 Expansion I/O Units and Expansion Units can be connected to a CPU Unit. Only 10 words, however, can be allocated for input and output.

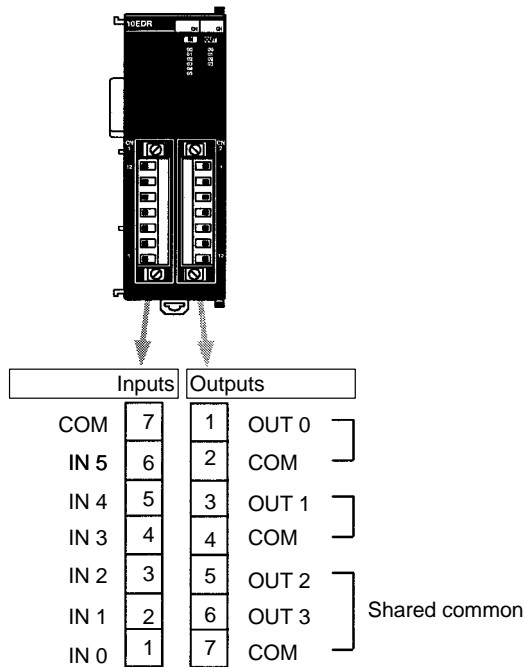
A cover for the expansion I/O connector is not included with the Expansion I/O Unit. Use the cover included with the CPU Unit to cover the unused expansion I/O connector on the last Expansion I/O Unit or Expansion Unit in the PC.

7. Locking Lever

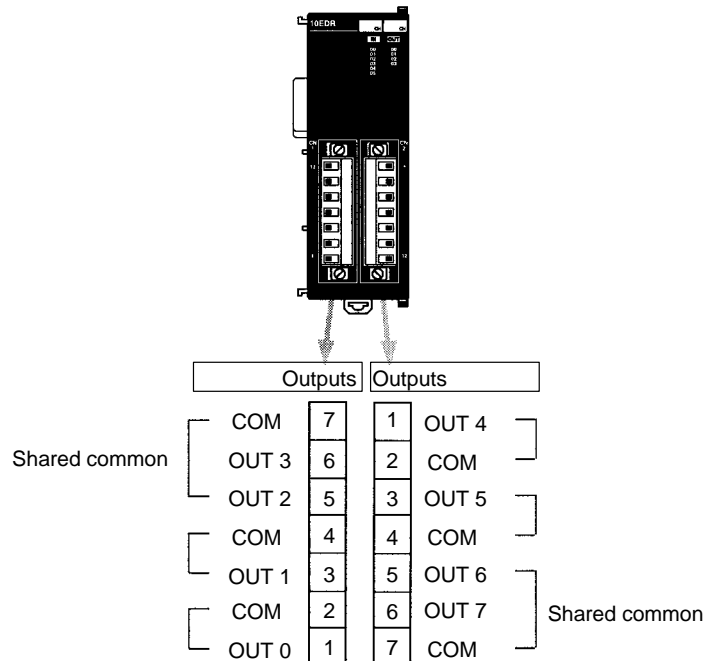
Used for securing Expansion I/O Units.

I/O Terminal and Connector Pin Allocation

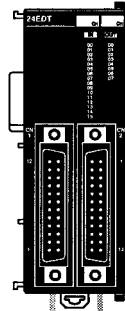
CPM2C-10EDR Expansion I/O Unit
 Relay Outputs, 10 I/O Points



CPM2C-8ER Expansion I/O Unit
 Relay Outputs, 8 Output Points



CPM2C-24EDTC/24EDT1C Expansion I/O Unit
 Transistor Outputs, 24 I/O Points



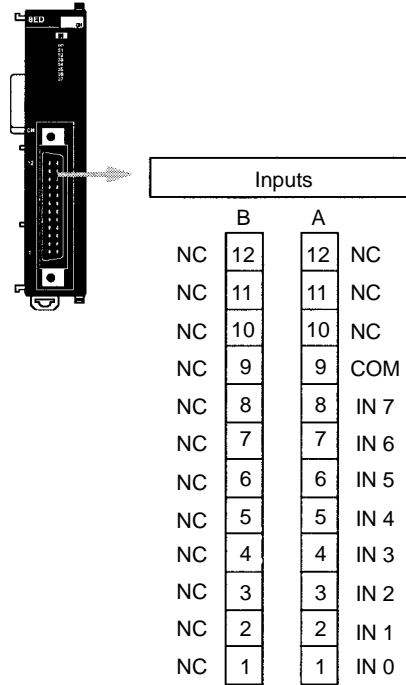
Inputs

	B	A	
NC	12	12	NC
NC	11	11	NC
NC	10	10	NC
COM	9	9	COM
IN 15	8	8	IN 7
IN 14	7	7	IN 6
IN 13	6	6	IN 5
IN 12	5	5	IN 4
IN 11	4	4	IN 3
IN 10	3	3	IN 2
IN 9	2	2	IN 1
IN 8	1	1	IN 0

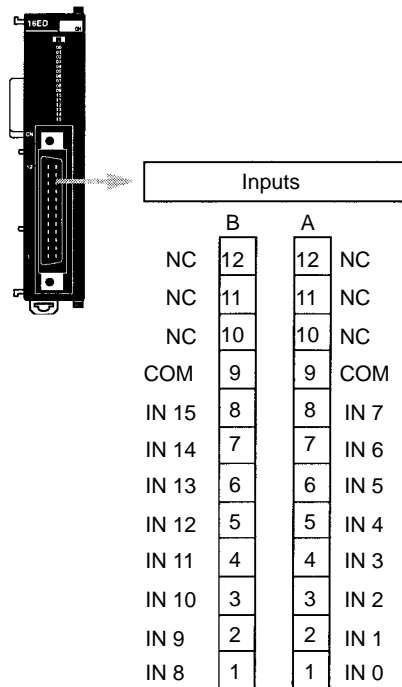
Outputs

Sinking				Sourcing			
	A	B		A	B		
OUT 0	1	1	NC	OUT 0	1	1	NC
OUT 1	2	2	NC	OUT 1	2	2	NC
OUT 2	3	3	NC	OUT 2	3	3	NC
OUT 3	4	4	NC	OUT 3	4	4	NC
OUT 4	5	5	NC	OUT 4	5	5	NC
OUT 5	6	6	NC	OUT 5	6	6	NC
OUT 6	7	7	NC	OUT 6	7	7	NC
OUT 7	8	8	NC	OUT 7	8	8	NC
COM (-)	9	9	NC	COM (+24V)	9	9	NC
24V	10	10	NC	0V	10	10	NC
NC	11	11	NC	NC	11	11	NC
NC	12	12	NC	NC	12	12	NC

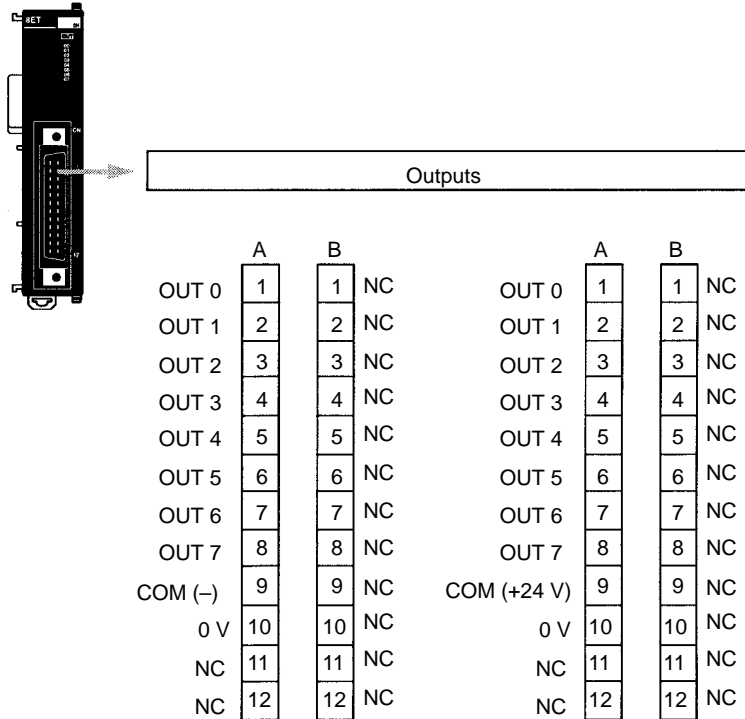
**CPM2C-8EDC Expansion I/O Unit
DC Inputs, 8 Input Points**



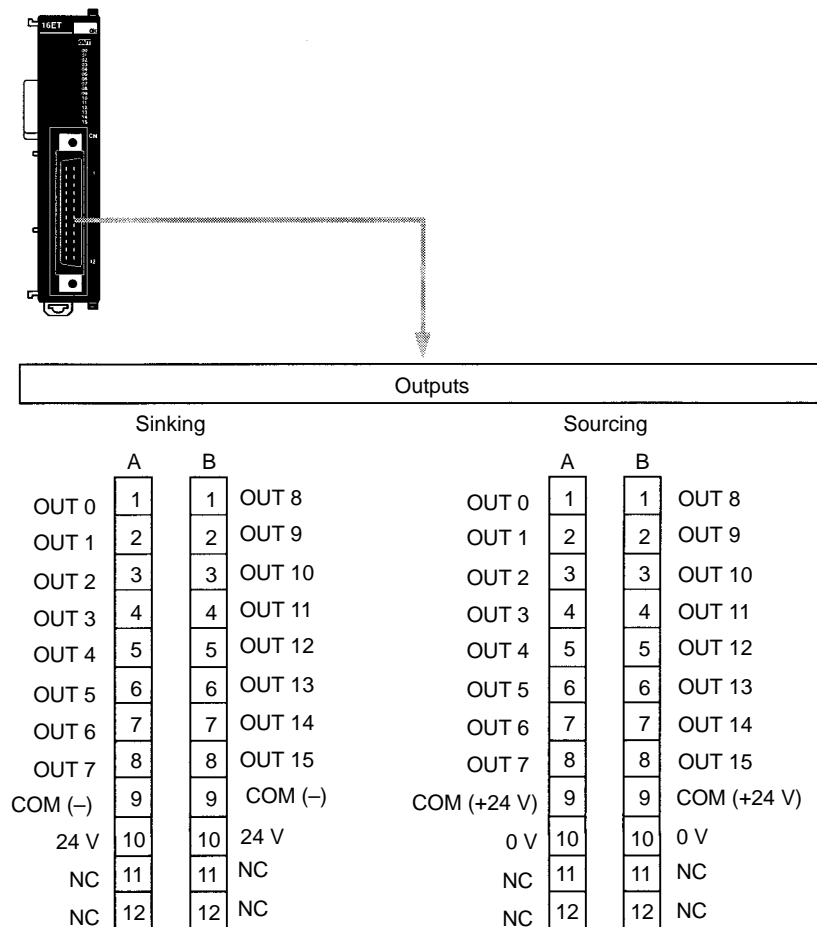
**CPM2C-16EDC Expansion I/O Unit
DC Inputs, 16 Input Points**



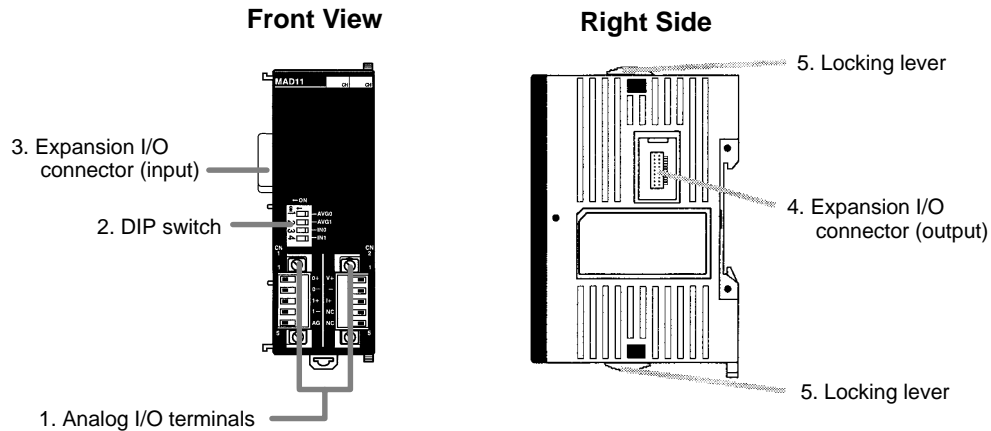
**CPM2C-8ETC/8ET1C Expansion I/O Units
Transistor Outputs, 8 Output Points**



**CPM2C-16ETC/16ET1C Expansion I/O Unit
Transistor Outputs, 16 Output Points**



2-2-3 CPM2C-MAD11 Analog I/O Unit

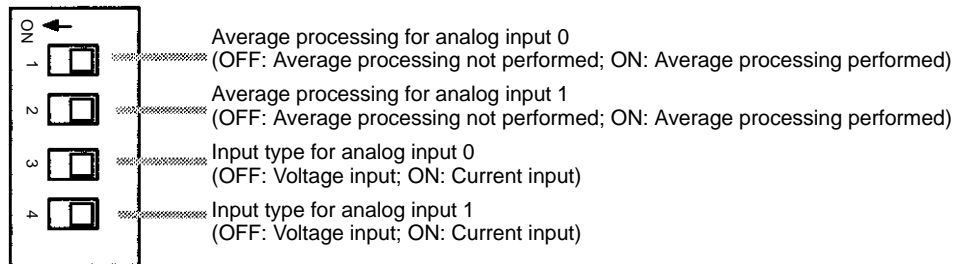


1, 2, 3... 1. Analog I/O Terminals

Connect the CPU Unit to analog input and analog output devices.

2. DIP Switch

Used to switch between voltage and current input, and to perform average processing.



3. Expansion I/O Connector (Input)

Connects the Analog I/O Unit to the CPU Unit or previous Expansion Unit or Expansion I/O Unit.

4. Expansion I/O Connector (Output)

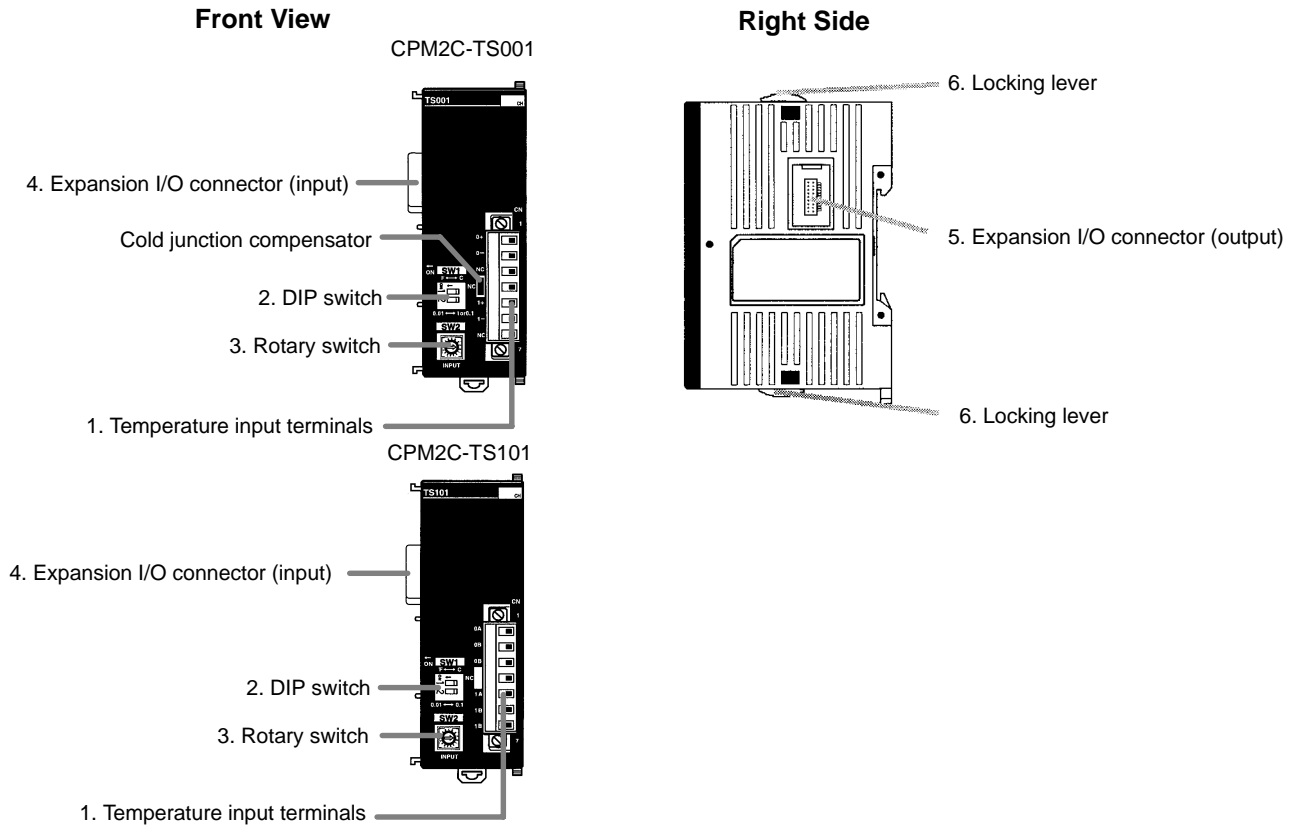
Connects the Analog I/O Unit to the next Expansion I/O Unit or Expansion Unit, if necessary. Up to 5 Expansion I/O Units and Expansion Units can be connected to a CPU Unit. Only 10 words, however, can be allocated for input and output respectively.

A cover for the expansion I/O connector is not included with the Expansion Unit. Use the cover included with the CPU Unit to cover the unused expansion I/O connector on the last Expansion I/O Unit or Expansion Unit in the PC.

5. Locking Lever

Used for securing Expansion Units.

2-2-4 CPM2C-TS001/TS101 Temperature Sensor Units



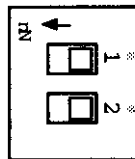
1, 2, 3...

1. Temperature Input Terminals

Connect to a thermocouple or a platinum resistance thermometer.

2. DIP Switch

Sets the temperature unit (°C or °F) and the number of decimal places used.



Temperature unit for temperature input 0
OFF: °C; ON: °F

Number of decimal places used
OFF: Normal (0 or 1); ON: 2

3. Rotary Switch

Sets the temperature range.



CPM2C-TS001

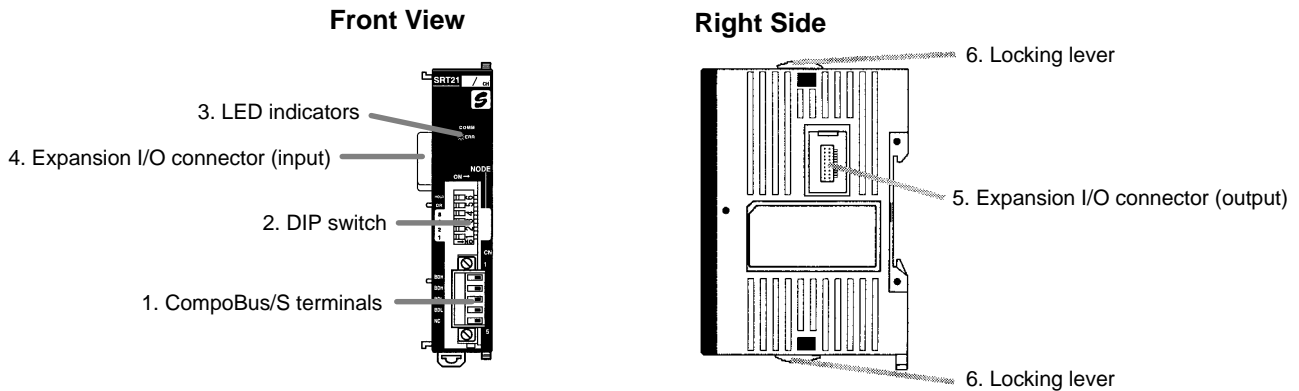
Set value	Thermocouple	Range (°C)	Range (°F)
0	K	-200 to 1,300	-300 to 2,300
1		0.0 to 500.0	0.0 to 900.0
2	J	-100 to 850	-100 to 1,500
3		0.0 to 400.0	0.0 to 750.0
4 to F	---	Setting not possible	

CPM2C-TS101

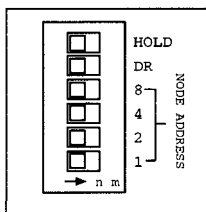
Set value	Platinum resistance thermometer	Range (°C)	Range (°F)
0	Pt100	-200.0 to 650.0	-300.0 to 1,200.0
1	JPt100	-200.0 to 650.0	-300.0 to 1,200.0
2 to F	---	Setting not possible	

4. Expansion I/O Connector (Input)
Connects the Temperature Sensor Unit to the CPU Unit or the previous Expansion I/O Unit or Expansion Unit.
5. Expansion I/O Connector (Output)
Connects the Temperature Sensor Unit to the next Expansion I/O Unit or Expansion Unit, if necessary. Up to 5 Expansion I/O Units and Expansion Units can be connected to a CPU Unit. Only 10 words, however, can be allocated for input and output.
A cover for the expansion I/O connector is not included with the Expansion Unit. Use the cover included with the CPU Unit to cover the unused expansion I/O connector on the last Expansion I/O Unit or Expansion Unit in the PC.
6. Locking Lever
Used for securing Expansion Units.

2-2-5 CPM2C-SRT21 CompoBus/S I/O Link Unit



- 1, 2, 3...**
1. CompoBus/S Terminals
Include the CompoBus/S communications data high/low terminal, and NC terminals. Power is supplied to the Unit internally.
 2. DIP Switch
The DIP switch sets the Unit's node address, sets the communications mode, and determines whether or not the outputs will be cleared in the event of a communications error.



Pin(s)	Function																
1 to 4 (labeled 1, 2, 4, and 8)	These pins set the Unit's node address using the DIP switch pins as binary digits. (1 = ON) <table style="width: 100%; border: none;"> <tr> <td style="width: 25%;">0: 0000</td> <td style="width: 25%;">1: 0001</td> <td style="width: 25%;">2: 0010</td> <td style="width: 25%;">3: 0011</td> </tr> <tr> <td>4: 0100</td> <td>5: 0101</td> <td>6: 0110</td> <td>7: 0111</td> </tr> <tr> <td>8: 1000</td> <td>9: 1001</td> <td>10: 1010</td> <td>11: 1011</td> </tr> <tr> <td>12: 1100</td> <td>13: 1101</td> <td>14: 1110</td> <td>15: 1111</td> </tr> </table>	0: 0000	1: 0001	2: 0010	3: 0011	4: 0100	5: 0101	6: 0110	7: 0111	8: 1000	9: 1001	10: 1010	11: 1011	12: 1100	13: 1101	14: 1110	15: 1111
0: 0000	1: 0001	2: 0010	3: 0011														
4: 0100	5: 0101	6: 0110	7: 0111														
8: 1000	9: 1001	10: 1010	11: 1011														
12: 1100	13: 1101	14: 1110	15: 1111														
DR	ON: Long-distance Communications Mode OFF: High-speed Communications Mode (See note.)																
HOLD	ON: Retain inputs when a communications error occurs. OFF: Clear inputs when a communications error occurs.																

Note The Long-distance Communications Mode can be used only when connected to one of the following Master Units: C200HW-SRM21-V1, CQM1-SRM21-V1, or SRM1-C0□-V2.

3. LED Indicators

These indicators show the status of CompoBus/S communications.

Indicator	Status	Meaning
COMM (yellow)	ON	Communications in progress.
	OFF	Communications error or stopped.
ERR (red)	ON	A communications error has occurred.
	OFF	Indicates normal or no communications.

4. Expansion I/O Connector (Input)

Connects the CompoBus/S I/O Link Unit to the CPU Unit or the previous Expansion I/O Unit or Expansion Unit.

5. Expansion I/O Connector (Output)

Connects the CompoBus/S I/O Link Unit to the next Expansion I/O Unit or Expansion Unit, if necessary. Up to 5 Expansion I/O Units and Expansion Units can be connected to a CPU Unit. Only 10 words, however, can be allocated for input and output respectively.

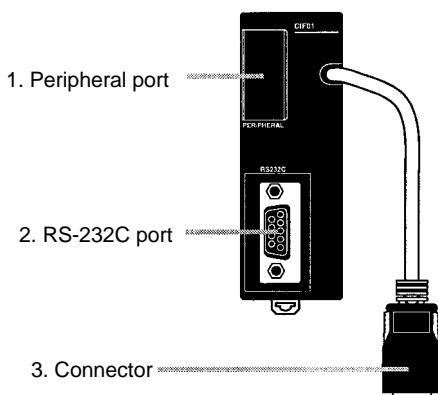
A cover for the expansion I/O connector is not included with the Expansion Unit. Use the cover included with the CPU Unit to cover the unused expansion I/O connector on the last Expansion I/O Unit or Expansion Unit in the PC.

6. Locking Lever

Used for securing Expansion Units.

2-2-6 CPM2C-CIF01 Peripheral/RS-232C Adapter Unit

Front View



Do not use the CPM2C-CIF01 with any PC other than the CPM2C. Do not connect another CPM2C-CIF01 or the CPM2C-CIF11 to the CPM2C-CIF01. The CPM2C-CN111 can be connected to the CPM2C-CIF01, but the peripheral port and the RS-232C port of the CPM2C-CN111 cannot be used simultaneously. If an attempt to use these ports simultaneously is made, communications will not be performed properly, and this may result in malfunction of equipment.

1, 2, 3... 1. Peripheral Port

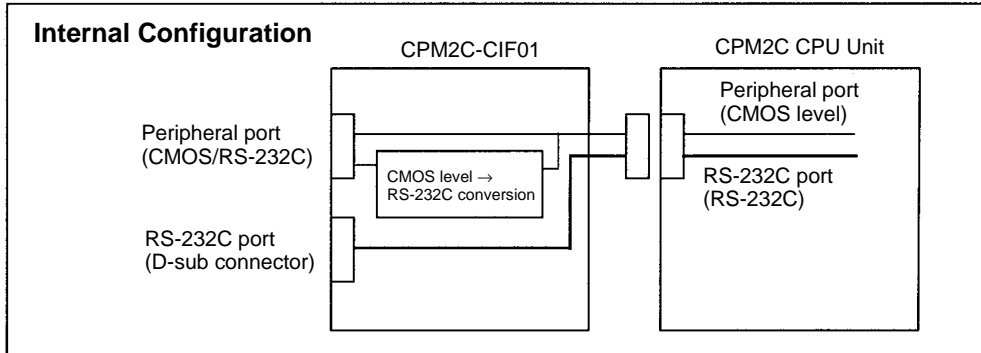
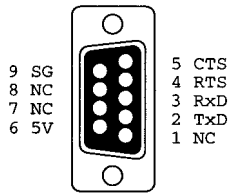
Used to connect to Programming Devices (including Programming Consoles), host computers, or general-purpose external devices. Use a special connecting cable (CS1W-CN114, CS1W-CN118) for connections.

- Note**
- a) The C200H-PRO27 Programming Console can be connected directly to the CPM2C's CPU Unit using a special connecting cable (CS1W-CN224/624).
 - b) Use the CS1W-CN114 when using the port as a peripheral port.
 - c) Use the CS1W-CN118 when using the port as a RS-232C port.

2. RS-232C Port

Used to connect to the RS-232C interface of a personal computer or Programmable Terminal (operator interface).

Connector Pin Allocation

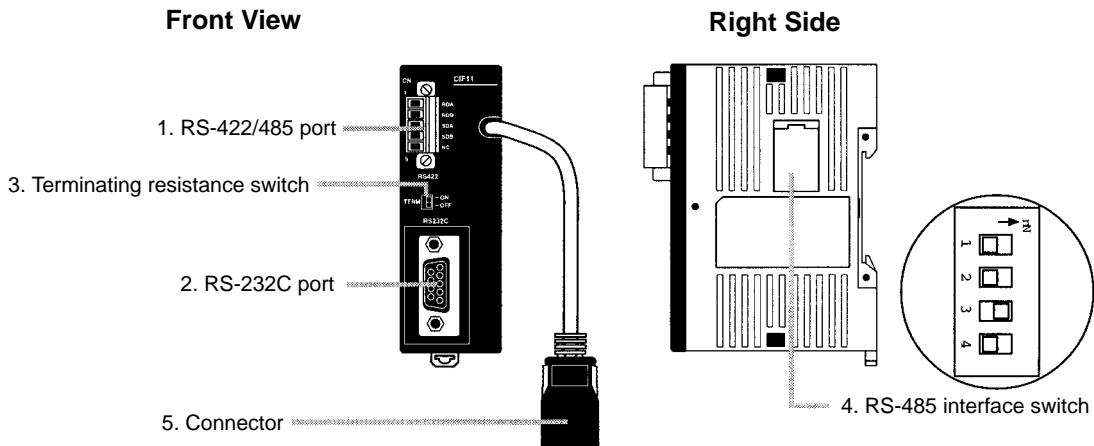


Peripheral port on CPM2C-CIF01	Signal conversion	Outputs signals from the CPU Unit's CMOS interface without conversion, or converts CMOS level (CPU Unit side) to RS-232C (connected device side).
	Function	Host Link, peripheral bus, no-protocol, or Programming Console connections.
RS-232C port on CPM2C-CIF01	Signal conversion	Outputs signals from the CPU Unit's CMOS interface without conversion.
	Function	Host Link, no-protocol, 1:1 Link, or 1:1 NT Link connections.

3. Connector

Connects to the communications port on the CPU Unit.

2-2-7 CPM2C-CIF11 RS-422/RS-232C Adapter Unit

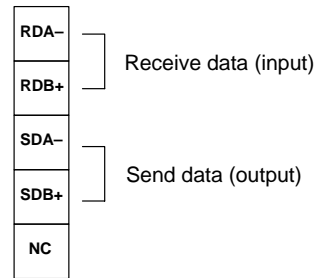


Note Do not use the CPM2C-CIF11 with any PC other than the CPM2C.

1, 2, 3... 1. RS422/485 Port

Used to connect to host computers, or standard external devices.

Terminal Arrangement

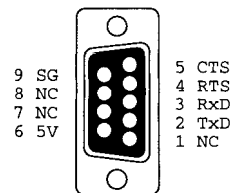


Note The maximum line length is 500 m.

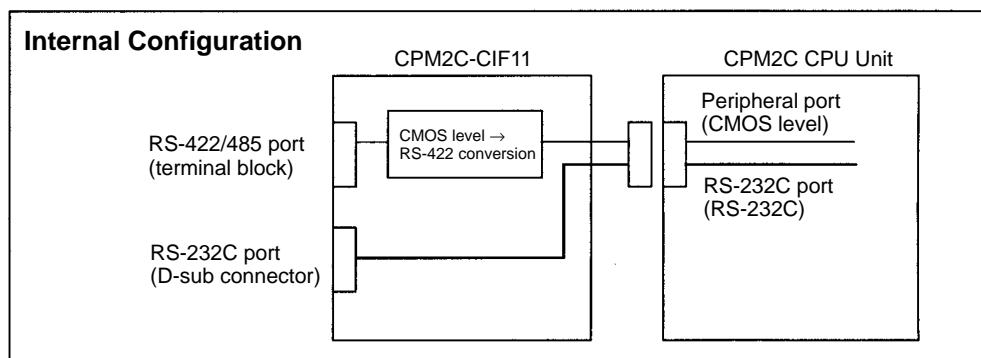
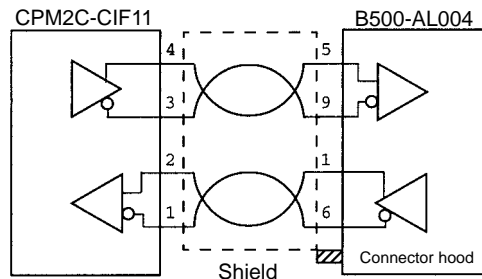
2. RS-232C Port

Used to connect to the RS-232C interface of a personal computer or Programmable Terminal (operator interface).

Connector Pin Arrangement



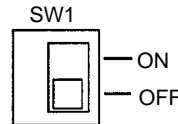
RS-422/485 Connection Example



RS-422/485 port on CPM2C-CIF11	Signal conversion	Converts CMOS level (CPU Unit side) to RS-422 (connected device side). RS-422 (externally connected device) insulated using DC/DC converter or photocoupler.
	Function	Host Link, peripheral bus, or no-protocol connections.
RS-232C port on CPM2C-CIF11	Signal conversion	Outputs signals from the CPU Unit's CMOS interface without conversion.
	Function	Host Link, no-protocol, 1:1 Link, or 1:1 NT Link connections.

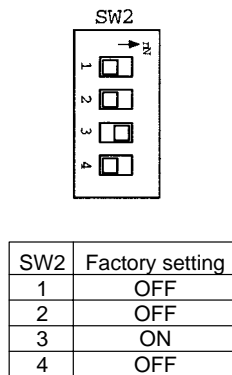
3. Terminating Resistance Switch

Set this switch to ON only for double-ended connection to a Host Link network. This switch is factory-set to OFF.



4. RS-485 Interface Switch

Used to switch to the RS-485 interface, and to enable or disable RS/CS control when performing RS-485 communications.

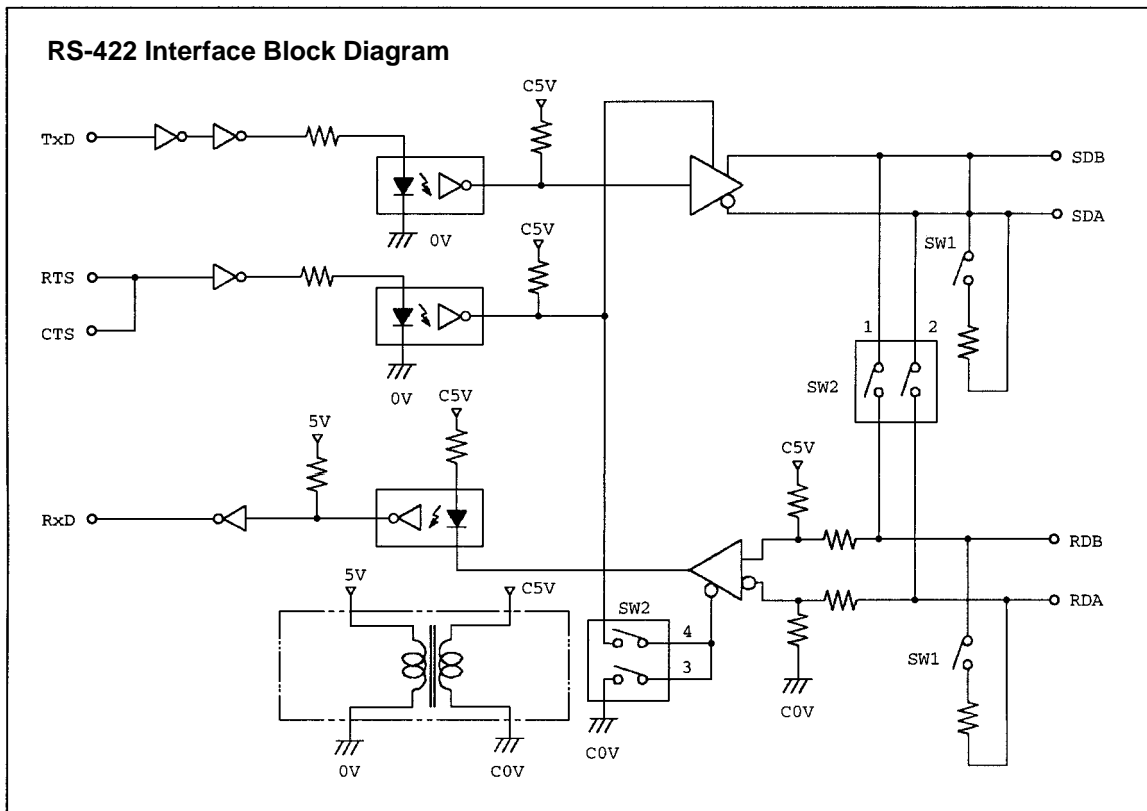


SW2	Status			
SW2-1 SW2-2	SW2-1			
	OFF ON			
	SW2-2	OFF	4-wire communications	Setting not possible
		ON	Setting not possible	2-wire communications
SW2-3 SW2-4	SW2-3			
	OFF ON			
	SW2-4	OFF	Setting not possible	Data can be received at any time
		ON	RS control possible for CPU Unit	Setting not possible

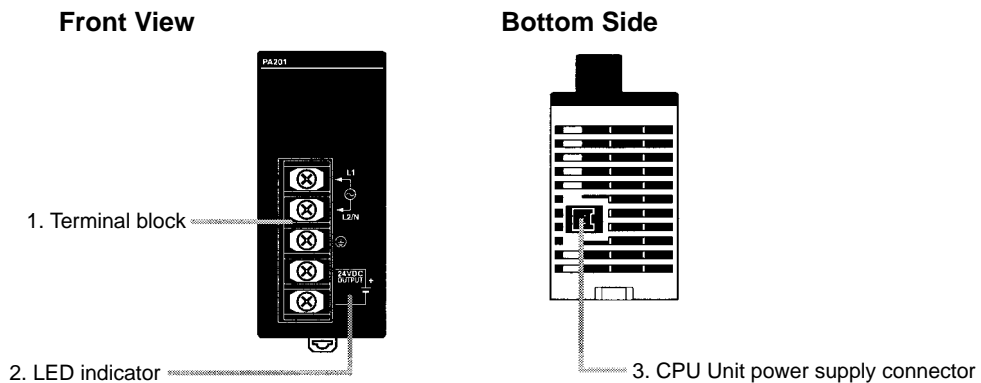
Note Do not set both SW2-3 and SW2-4 to ON. Doing so may result in damage to internal circuitry. Set SW2-3 to OFF and SW2-4 to OFF when performing RS-485 2-wire communications.

5. Connector

Connects to the communications port on the CPU Unit.



2-2-8 AC Power Supply Unit



- 1, 2, 3...**
1. Terminal Block
Terminals for AC power supply input and service power supply (24 VDC).
 2. LED Indicator
Lights when power is supplied.
 3. CPU Unit Power Supply Connector
Use the connecting cable provided as an accessory to connect this connector to the power supply connector on the CPU Unit (24 VDC).

Note The ratings for the CPM2C-PA201 AC Power Supply Unit are 100 to 240 VAC input; 24 VDC/600 mA output. The maximum current that can be supplied via the CPU Unit power supply connector and the service power supply terminals on the terminal block is 600 mA.

SECTION 3

Installation and Wiring

This section provides information on installing and wiring a CPM2C PC. Be sure to follow the directions and precautions in this section when installing the CPM2C in a panel or cabinet, wiring the power supply, or wiring I/O.

3-1	Design Precautions	60
3-1-1	Power Supply Wiring	60
3-1-2	Power Supply Voltage	60
3-1-3	Interlock and Limit Circuits	60
3-2	Selecting an Installation Site	61
3-2-1	Installation Site Conditions	61
3-2-2	Panel/Cabinet Installation	61
3-3	Installing the CPM2C	62
3-3-1	Connecting Units	62
3-3-2	CPM2C Installation	64
3-4	Wiring and Connections	65
3-4-1	General Precautions for Wiring	65
3-4-2	Power Supply Wiring	66
3-4-3	Using the AC Power Supply Unit	67
3-4-4	Removing and Wiring I/O Terminal Blocks	69
3-4-5	Removing and Wiring I/O Connectors	70
3-4-6	Using I/O Terminals and Relay Terminals	74
3-4-7	Connecting Input Devices	75
3-4-8	Connecting Output Devices	82
3-4-9	RS-422 Port Connection	94
3-4-10	Programming Device Connections	94
3-4-11	No-Protocol Communications	98
3-4-12	OMRON PT Connections	99
3-4-13	One-to-one PC Link Connections	100
3-4-14	CompoBus/S I/O Link Connections	100

3-1 Design Precautions

Observe the following precautions when designing a system incorporating a CPM2C PC.

3-1-1 Power Supply Wiring

Separate the power supply wiring from the control system, CPM2C system, and DC I/O system wiring. Separate the control circuits that supply power to the main Unit from the main circuits using dedicated circuit protectors and fuses.

3-1-2 Power Supply Voltage

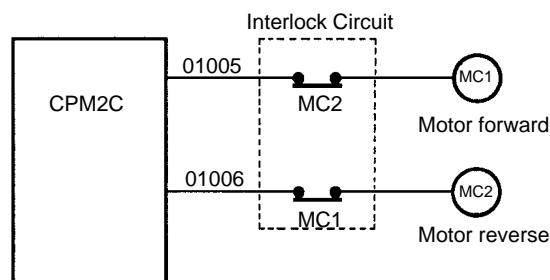
⚠ Caution Use the power supply voltages indicated in *Section 2 Unit Specifications and Components*. Failure to adhere to the specifications may result in fire. If the power supply voltage falls below 85% of the rated voltage, the CPM2C will stop and all outputs will be turned OFF. If low voltage affects the equipment, etc., provide a protection circuit which shuts OFF the output until the supply voltage returns to the rated value. In places where power supply conditions are poor, take steps to ensure that power is supplied at the rated voltage. Be sure to adhere to safety precautions, such as providing breakers to prevent short circuits in external wiring. When conducting any of the following operations, turn OFF the power to the PC. Electrocutation, product damage and malfunction may result.

- Connecting or disconnecting Expansion I/O Units, Expansion Units, and CPU Units.
- Assembling Units.
- Connecting cables and wiring.
- Connecting or disconnecting connectors.
- Replacing the battery.

3-1-3 Interlock and Limit Circuits

⚠ WARNING Emergency stop circuits, interlock circuits, limit circuits, and similar safety measures must be provided in external control circuits (i.e., not in the Programmable Controller) to ensure safety in the system if an abnormality occurs due to malfunction of the PC or another external factor affecting the PC operation. Not providing proper safety measures may result in serious accidents.

The following diagram shows an example of an interlock circuit.



In the interlock circuit above, MC1 and MC2 can't be ON at the same time even if CPM2C outputs 01005 and 01006 are both ON (an incorrect PC operation).

3-2 Selecting an Installation Site

The CPM2C is resistant to harsh conditions and highly reliable, but installing the PC in a favorable site will maximize its reliability and operating lifetime.

Caution Be sure to install the CPM2C correctly, as outlined in this manual. Failure to do so may result in Unit malfunction.

3-2-1 Installation Site Conditions

Note Do not install the CPM2C under any of the following conditions.

- Locations subject to direct sunlight.
- Locations subject to a temperature below 0°C or over 55°C.
- Locations subject to a humidity below 10% or over 90%.
- Locations subject to condensation as the result of severe changes in temperature.
- Locations subject to corrosive or flammable gases.
- Locations subject to dust (especially iron dust) or salts.
- Locations subject to shock or vibration.
- Locations subject to exposure to water, oil, or chemicals.

Be sure that the conditions at the installation site conform to the CPM2C's general specifications. Refer to *2-1-1 General Specifications* for details.

Note Provide proper shielding when installing in the following locations:

- Locations subject to static electricity or other sources of noise.
- Locations subject to strong electromagnetic fields.
- Locations subject to possible exposure to radiation.
- Locations near to power supply lines.

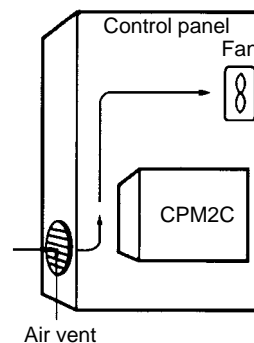
3-2-2 Panel/Cabinet Installation

Consider PC operation, maintenance, and surrounding conditions when installing the CPM2C in a panel or cabinet.

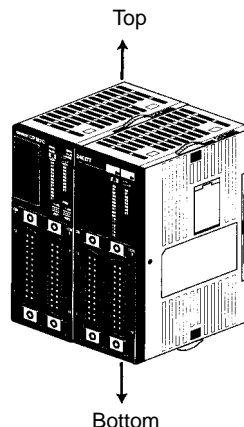
Overheating

The operating temperature range for the CPM2C is 0 to 55°C. Be sure that there is adequate ventilation for cooling.

- Allow enough space for air circulation.
- Do not install the CPM2C above equipment that generates a large amount of heat, such as heaters, transformers, or large resistors.
- Install a cooling fan or system when the ambient temperature exceeds 55°C.



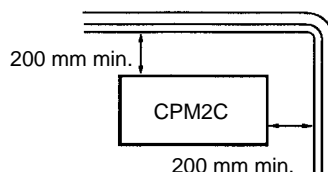
- Orient the CPM2C as shown below when installing it.



Electrical Noise

Power lines and high-voltage equipment can cause electrical noise in the PC.

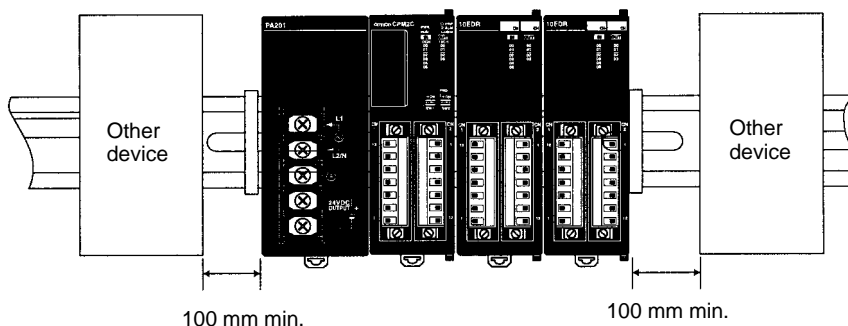
- Do not install the CPM2C in a panel or cabinet with high-voltage equipment.
- Allow at least 200 mm between the CPM2C and nearby power lines.



Accessibility

Ensure that the CPM2C can be accessed for normal operation and maintenance.

- Provide a clear path to the CPM2C for operation and maintenance. High-voltage equipment or power lines could be dangerous if they are in the way during routine operations.
- The PC will be easiest to access if the panel or cabinet is installed about 1 to 1.6 m above the floor.
- Separate the CPM2C by at least 100 mm from other devices.



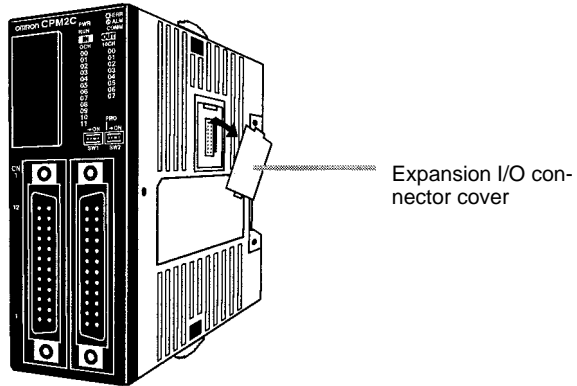
3-3 Installing the CPM2C

This section describes how to install the CPM2C and connect Expansion Units and Expansion I/O Units. Refer to *Appendix B* for diagrams showing the dimensions of the Units.

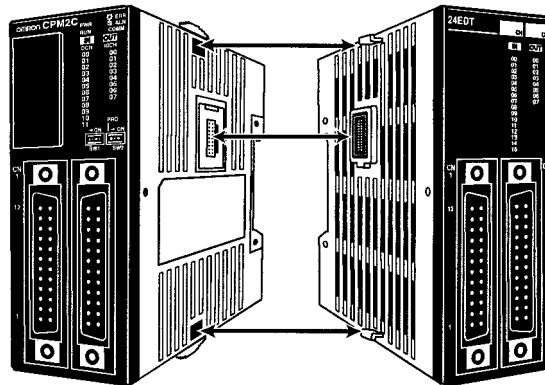
3-3-1 Connecting Units

Up to 5 Expansion I/O Units and Expansion Units can be connected to a CPM2C CPU Unit. Use the following procedure when connecting an Expansion I/O Unit or Expansion Unit.

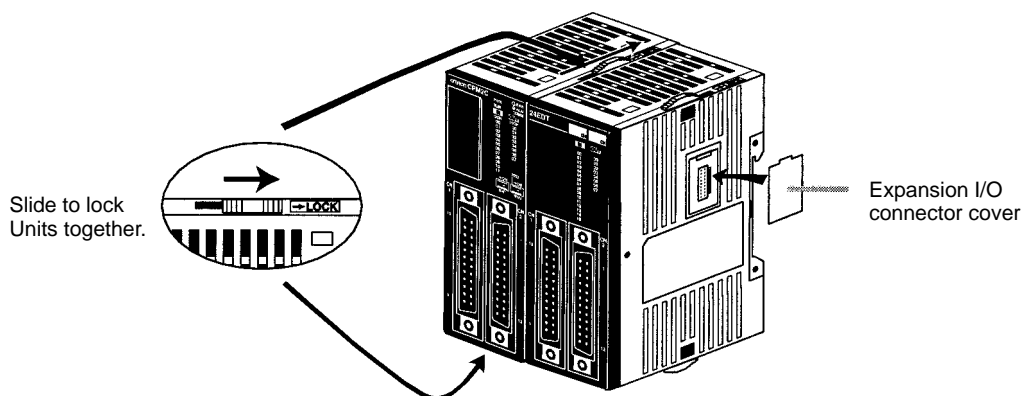
- 1, 2, 3... 1. Remove the cover from the CPU Unit's or the last Expansion I/O Unit's or Expansion Unit's expansion I/O connector. If the cover is difficult to remove, use a flat-blade screwdriver to pry the cover from the expansion I/O connector.



2. Align the Unit and CPU Unit (or previous Expansion I/O Unit or Expansion Unit) so that the catches (top and bottom) on the connectors fit together. Press the Units together to connect them.

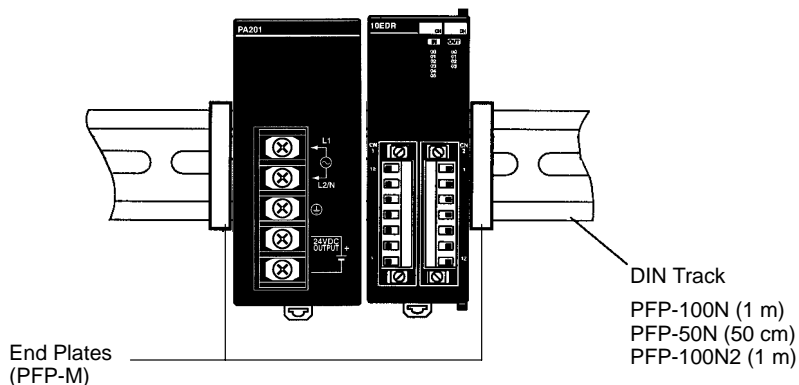


3. Lock the Units together by closing the locks (top and bottom) on the CPU Unit (or previous Expansion I/O Unit or Expansion Unit). Place the cover (included with the CPU Unit) on the last Unit's expansion I/O connector.



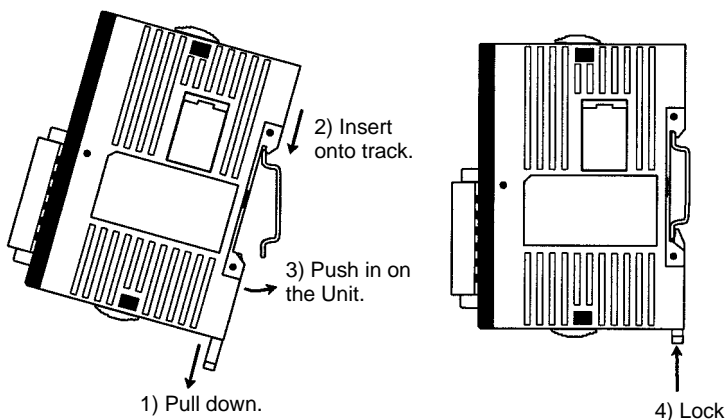
3-3-2 CPM2C Installation

The CPM2C can be installed on a 35-mm DIN track.



Installation

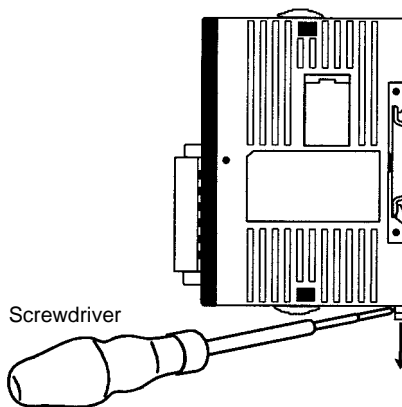
Lower the CPM2C so that the notch on the back of the PC catches the top of the DIN Track. Push the PC forward until the lock snaps into place.



Caution Be sure that the DIN Track is installed horizontally. Installing the Track vertically will inhibit the airflow that cools the CPM2C and could cause overheating.

Removal

Pry the lock down with a flat-blade screwdriver and pivot the PC upward to remove it.

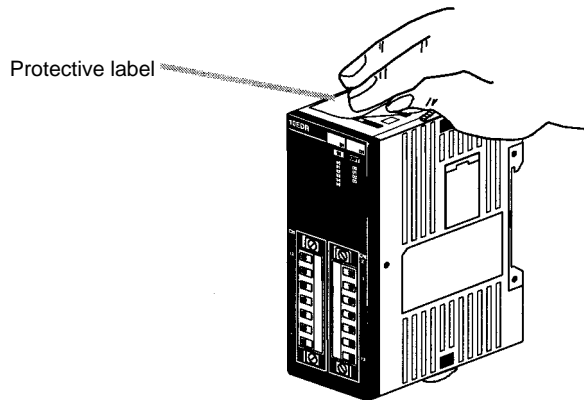


3-4 Wiring and Connections

This section provides basic information on wiring the Power Supply Unit and Expansion I/O Units, and on connecting Programming Devices.

3-4-1 General Precautions for Wiring

Caution Leave the protective label in place while wiring. The Unit may malfunction if strands of wire get inside the Unit. After completing wiring be sure to remove the label to avoid overheating.

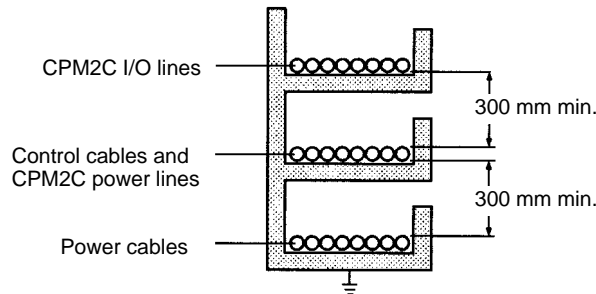


I/O Line Noise

Do not run CPM2C I/O lines in the same duct or conduit as power lines.

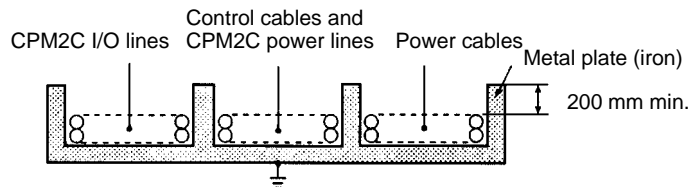
Hanging Ducts

Leave at least 300 mm between the power cables and the I/O or control wiring, as shown in the following diagram.



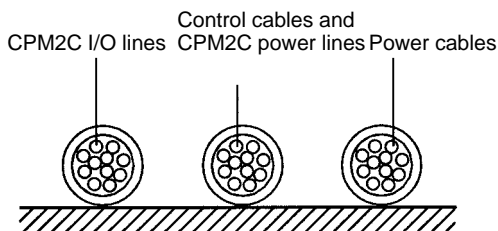
Floor Ducts

Leave at least 200 mm between the wiring and the top of the duct, as shown in the following diagram.



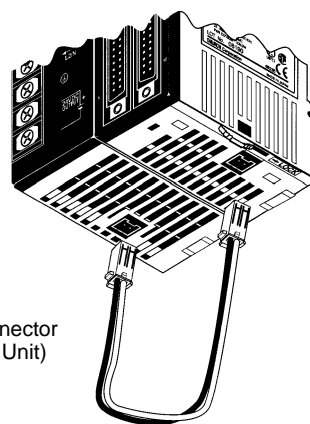
Conduits

Separate the CPM2C I/O lines, power and control lines, and power cables, as shown in the following diagram.

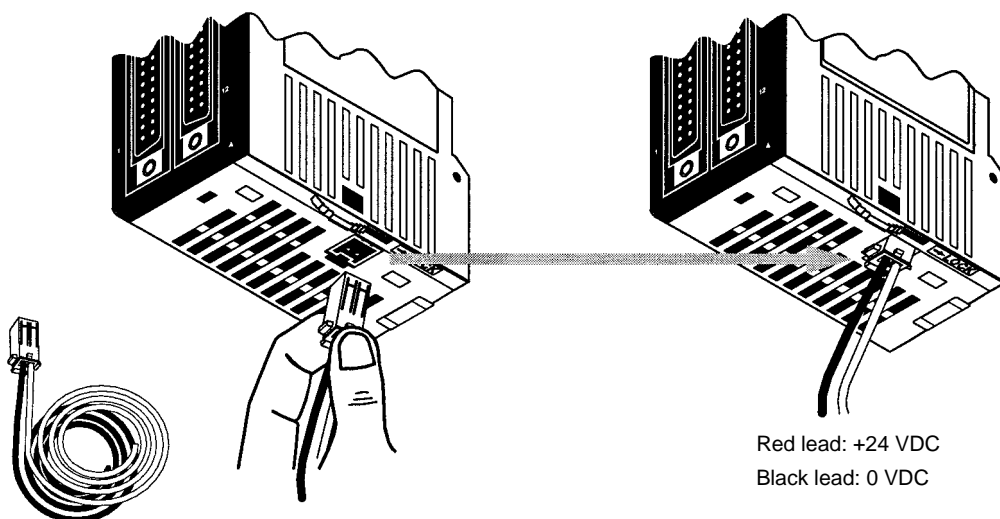


3-4-2 Power Supply Wiring

The following procedure explains how to connect the CPU Unit to the AC Power Supply Unit (CPM2C-PA201) with the power supply connector (included) to provide a 24-VDC power supply.



- 1, 2, 3... 1. Align the power supply connector with the socket on the bottom of the CPM2C and insert the connector.



2. To remove the power supply connector, grasp the power supply connector (not the wires), release the lock tab on the connector, and remove the connector.

Note 1. The CPM2C-PA201 is the recommended Power Supply Unit. When using other power supplies, be sure to use a DC power supply with sufficient capacity and low ripple.

2. Do not perform a voltage withstand test on the DC power supply terminals on the CPU Unit. The test might damage the PC's internal components.
3. When the equipment must conform to the EC Directives (Low-voltage Directives), use a power supply with double insulation or reinforced insulation.

3-4-3 Using the AC Power Supply Unit

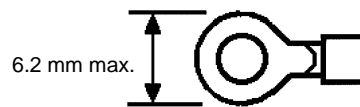
Crimp Terminals

Use crimp terminals to wire the AC Power Supply Unit (CPM2C-PA201). Do not connect bare stranded wires directly to terminals.

- Use M3.5 terminal screws.
- Tighten the terminal screws securely to a torque of 0.74 to 0.9 N•m.

Use round terminals of the dimensions shown.

Round Terminal

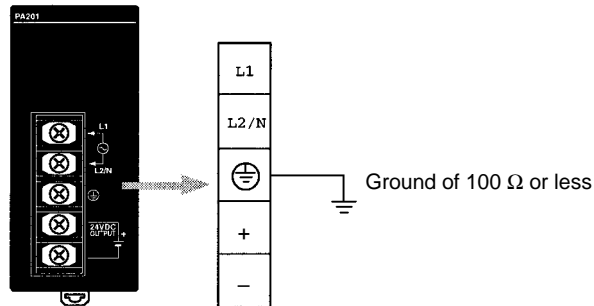


Recommended wire size: 0.3 to 1.65 mm² (AWG 22 to 16)

Grounding

To prevent electric shock resulting from malfunction due to factors such as noise, connect to a ground of 100 Ω or less. When grounding, use a wire at least 1.25 mm² thick.

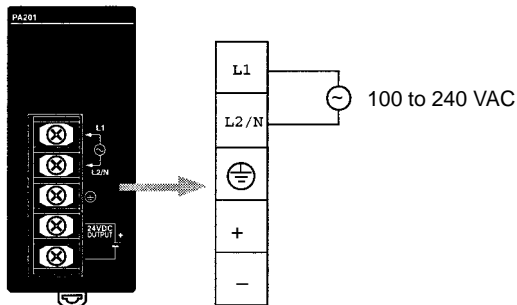
⚠ WARNING Connect the ground terminal of the Power Supply Unit to a ground of 100 Ω or less when installing the Unit. Not connecting to a ground of 100 Ω or less may result in electric shock.



Power Supply Wiring

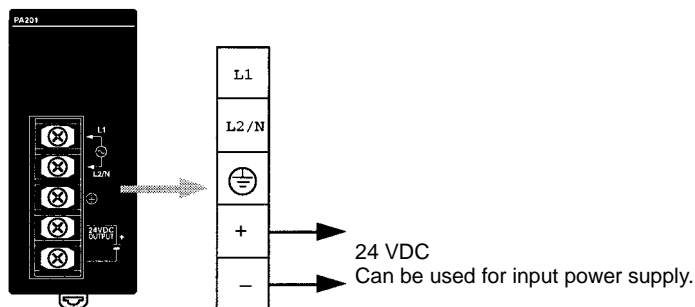
- To prevent voltage drops caused by startup currents and inrush currents from other devices, wire the power supply circuits of the CPM2C separately from power line circuits.
- When using several CPM2C's together, it is recommended that circuits are wired separately in order to prevent circuit-breaker malfunctions and voltage drops due to inrush current.
- Twist power supply lines to prevent noise from the power supply lines. Noise can further be prevented by wiring via a 1:1 isolation transformer.

- Use wires at least 1.25 mm² thick in order to allow for voltage drops and to keep the current within the allowable level.



! WARNING Tighten the screws on the terminal block of the AC Power Supply Unit to a torque of 0.74 to 0.9 N•m. Loose screws may result in burning or malfunction.

The 24-VDC service power supply terminals on the terminal block can be used for input power supply.



Use the following to obtain the capacity of the service power supply that can be used.

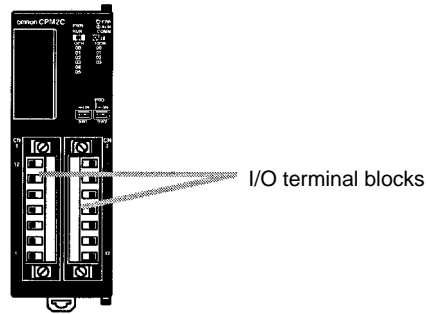
Example: CPU Unit + 5 Expansion I/O Units (1-W Power Consumption)
 Power consumption = 4 (CPU Unit's power consumption) + 1 (Expansion I/O Unit's power consumption) × 5 (No. of Expansion I/O Units) = 9 (W)
 Service power supply current = (14.4 (CPM2C-PA201's rated capacity) – 9 (power consumption)) ÷ 24 (V) = 208 (mA)

! WARNING If the 24-VDC output (either the service power supply or the power supply to the CPU Unit) is overloaded, or is short-circuited, the voltage will drop, and the output will turn OFF. Take external countermeasures to ensure the safety of the system in such an event. Failure to do so may result in a serious accident.

! WARNING Do not connect a power supply to the service power supply terminals. If an AC power supply is mistakenly connected to these terminals, the internal circuitry will be damaged.

3-4-4 Removing and Wiring I/O Terminal Blocks

The following tables provide I/O terminal block specifications.



Terminal Block Specifications

Item	Specification
Screw size	M2
Recommended tightening torque	0.22 to 0.25 N•m

Recommended Wire and Terminals

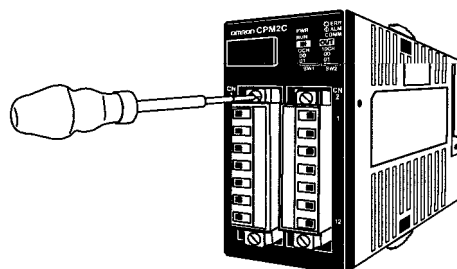
Item	Specification
Solid wire	0.14 to 1.5 mm ² (AWG 28 to AWG 16) (Strip 7 mm.)
Stranded wire (See notes.)	0.14 to 1.5 mm ² (AWG 28 to AWG 16) (Strip 7 mm.)
Pin terminal	0.25 to 1.5 mm ² , 7-mm terminal length Recommended pin terminals Phoenix AI0.25-8Y; Applicable wire size: 0.2 to 0.25 mm ² Phoenix AI0.34-8TQ; Applicable wire size: 0.25 to 0.34 mm ² Phoenix AI0.5-8WH; Applicable wire size: 0.34 to 0.50 mm ² Phoenix AI-TWIN2x0.5-8WH; Applicable wire size: 2x0.50 mm ²

- Note**
1. When using stranded wire, be sure to avoid stray wire strands that might short-circuit an adjacent terminal.
 2. Do not solder the ends of stranded wires. Solder can break and cause wiring problems. Also, the solder can cause corrosion on the contact surface.

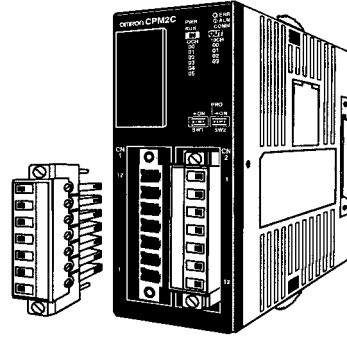
Removing and Wiring a Terminal Block

Use the following procedure when wiring a terminal block.

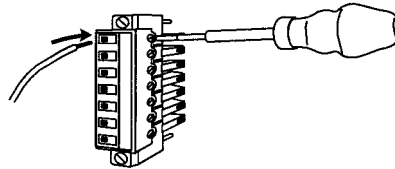
- 1, 2, 3... 1. Loosen the screws at the top and bottom of the terminal block as shown in the following diagram.



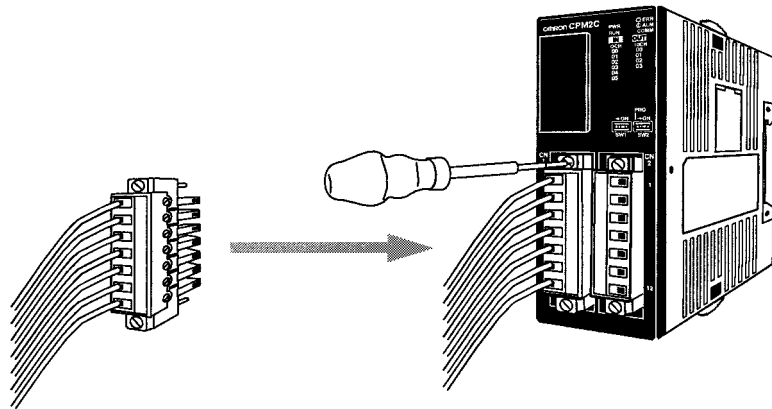
2. Pull the terminal block out of the Unit.



3. Insert each lead wire into the terminal block and tighten that terminal's screw.

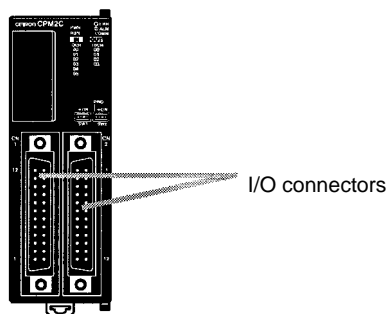


4. After wiring the terminal block, insert the block into the Unit and tighten the screws at the top and bottom of the terminal block.

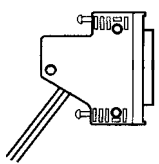
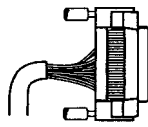


3-4-5 Removing and Wiring I/O Connectors

The following tables provide specifications of compatible I/O connectors.



Compatible Connector Specifications (OMRON)

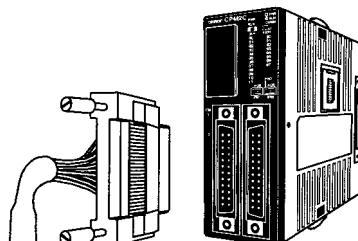
Connector	Specifications	Model number	
	24-pin soldered connector and cover	Connector: Fujitsu FCN-361J024-AU equivalent Cover: Fujitsu FCN-360C024-J2 equivalent	C500-CE241
	24-pin crimp connector and cover	Housing: Fujitsu FCN-363J024 equivalent Contacts: Fujitsu FCN-363J-AU equivalent Cover: Fujitsu FCN-360C024-J2 equivalent	C500-CE242
	24-pin pressure connector	Connector: Fujitsu FCN-367J024-AU/F equivalent	C500-CE243

Connector Specifications (Fujitsu)

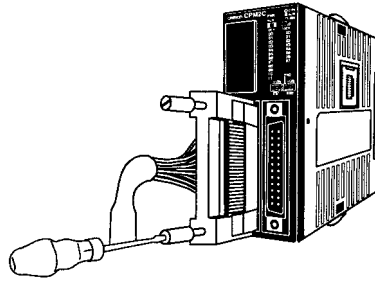
Item	Specifications	Model number	
Soldered jack	24-pin gold-plated terminals	FCN-361J024-AU	
Crimp connector	Crimp jack housing	24-pin	FCN-363J024
	Crimp contacts	For wire gauges 24 AWG to 28 AWG	FCN-363J-AU
	Hand crimp tool	---	FCN-363T-T005/H
	Contact removal tool	---	FCN-360T-T001/H
Pressure connector	Pressure jack with closed end cover	24-pin gold-plated terminals	FCN-367J024-AU/F
		24-pin silver-plated terminals	FCN-367J024-AG/F
	Pressure jack with open end cover	24-pin gold-plated terminals	FCN-367J024-AU/H
		24-pin silver-plated terminals	FCN-367J024-AG/H
	Pressing tools	Hand press	General purpose
Cable cutter		General purpose	FCN-707T-T001/H
Locator plate		For the 360-series connectors	FCN-367T-T012/H
Connector cover (Not compatible with the closed-end cover pressure jack.)	Thin slanted cover for 24-pin connector	FCN-360C024-J2	
	With slotted screws for 24-pin connector (Can be turned by hand.)	FCN-360C024E	
	With Phillips-head screws for 24-pin connector	FCN-360C024B	
	With intermediate Phillips-head screws for 24-pin connector	FCN-360C024C	

Connecting I/O Connectors (Pressure Connectors) Use the following procedure when connecting a pressure connector.

- 1, 2, 3... 1. Align the connector and insert it into the Unit.



2. Use a flat-blade screwdriver to tighten the connector's fastening screws.

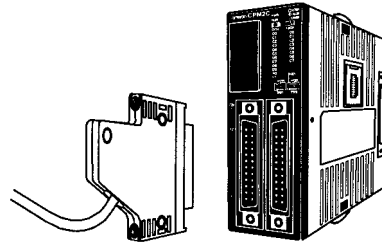


Flat-blade screwdriver

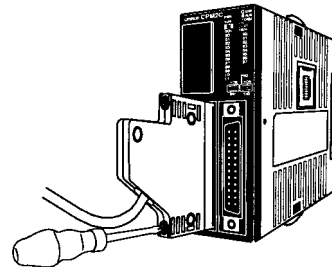
**Connecting I/O Connectors
(Soldered Connectors)**

Use the following procedure when connecting a soldered connector.

- 1, 2, 3... 1. Align the connector and insert it into the Unit.



2. Use a Phillips screwdriver to tighten the connector's fastening screws.

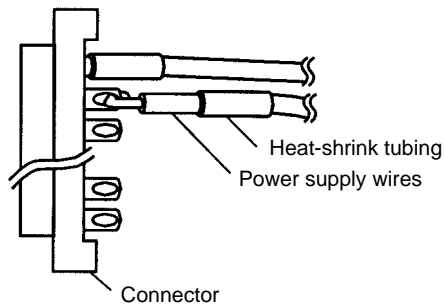


Phillips screwdriver

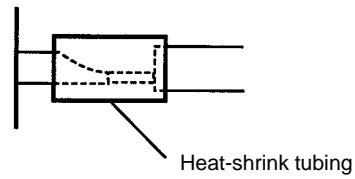
**Assembling Soldered
Connectors**

Use the following procedure when wiring and assembling a soldered connector (OMRON C500-CE241).

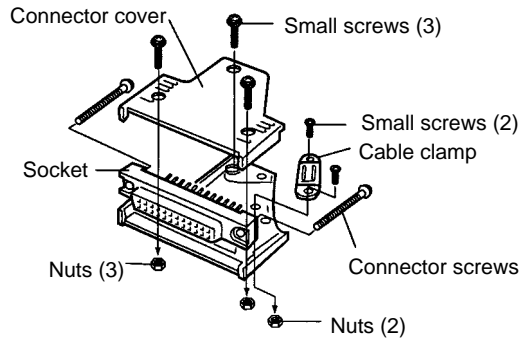
- 1, 2, 3... 1. Slide heat-shrink tubing over the power supply wires and solder the wires to the appropriate pins on the socket.



2. After soldering all of the pins, slide the heat-shrink tubing over the soldered power supply pins and shrink the tubing by heating it with a heat gun.

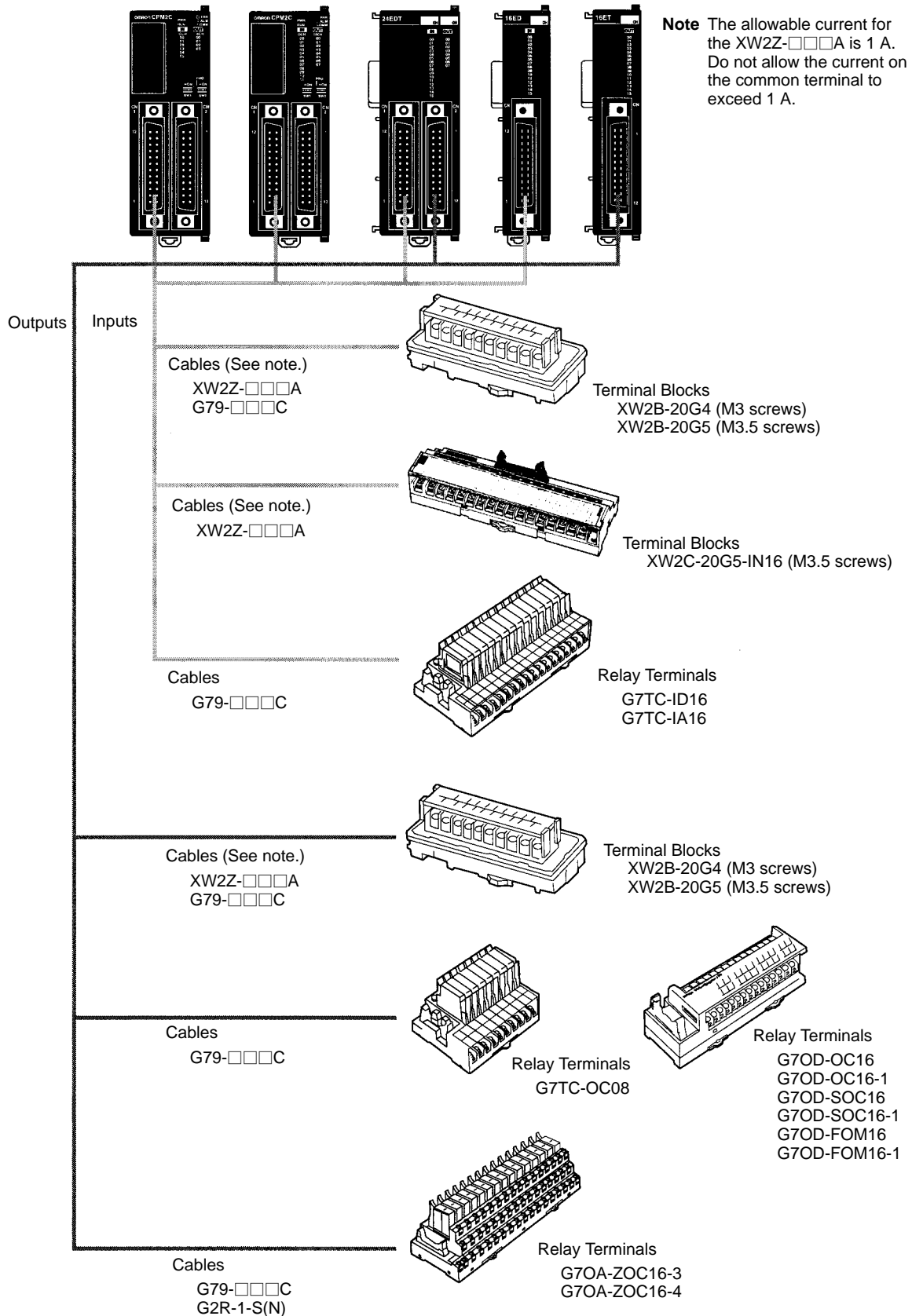


3. Assemble the socket and connector as shown in the following diagram.



3-4-6 Using I/O Terminals and Relay Terminals

We recommend using the following I/O Terminals and Relay Terminals to wire devices to the CPM2C's I/O connector.



3-4-7 Connecting Input Devices

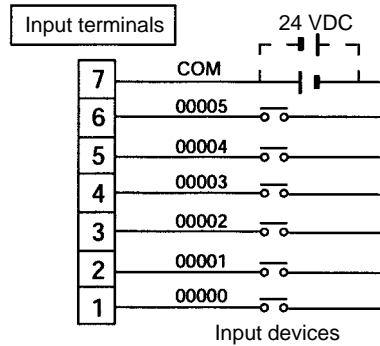
Wire inputs to the CPM2C's CPU Unit and Expansion I/O Units as shown in the following diagrams.

Note When equipment must conform to the EC Directives (Low-voltage Directives), use a power supply with double insulation or reinforced insulation.

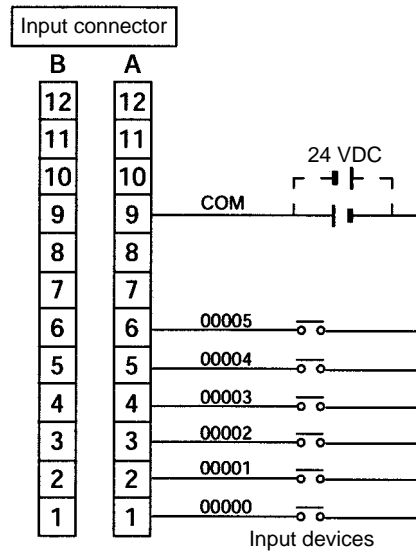
Input Configuration

The following diagrams show the input configurations.

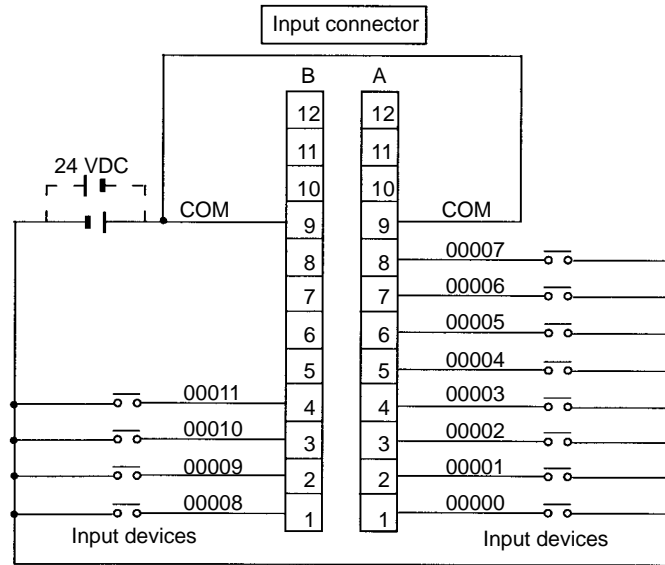
CPU Units with 10 I/O Points, Relay Outputs (CPM2C-10CDR-D/10C1DR-D)



CPU Units with 10 I/O Points, Transistor Outputs (CPM2C-10CDTC-D/10CDT1C-D/10C1DTC-D/10C1DT1C-D)

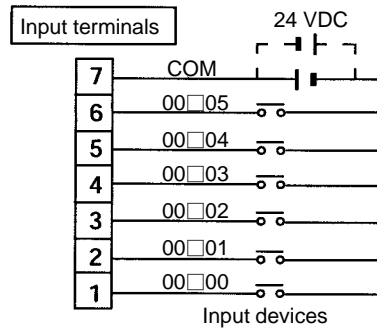


**CPU Units with 20 I/O Points, Transistor Outputs
(CPM2C-20CDTC-D/20C1DTC-D/20C1DTC-D/20C1DT1C-D)**

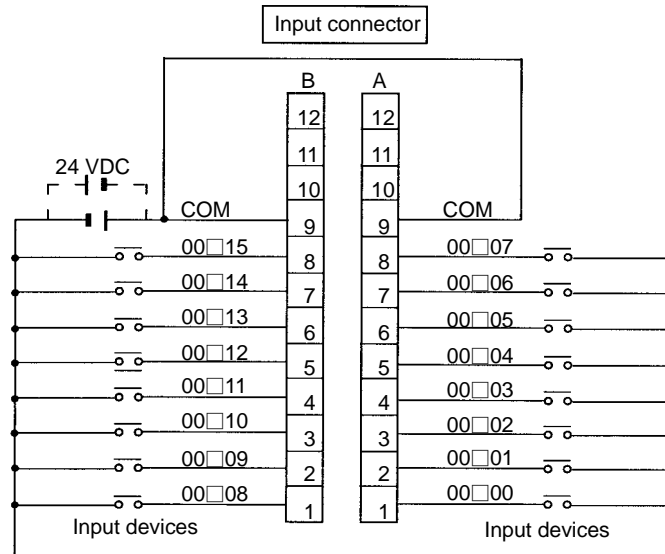


Note COM terminals (A9 to B9) are connected internally.

Expansion I/O Unit with 10 I/O Points, Relay Outputs (CPM2C-10EDR)

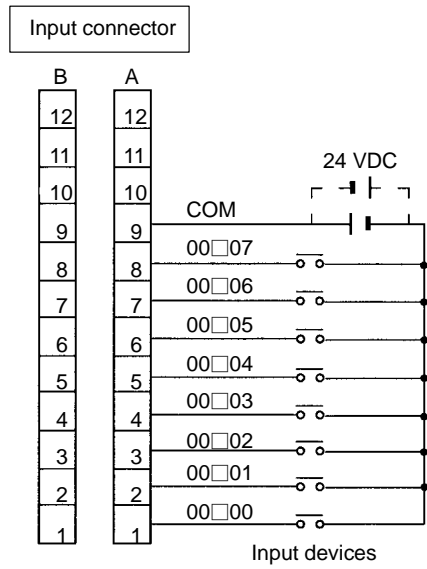


**Expansion I/O Units with 24 I/O Points, Transistor Outputs
(CPM2C-24EDTC/24EDT1C)**

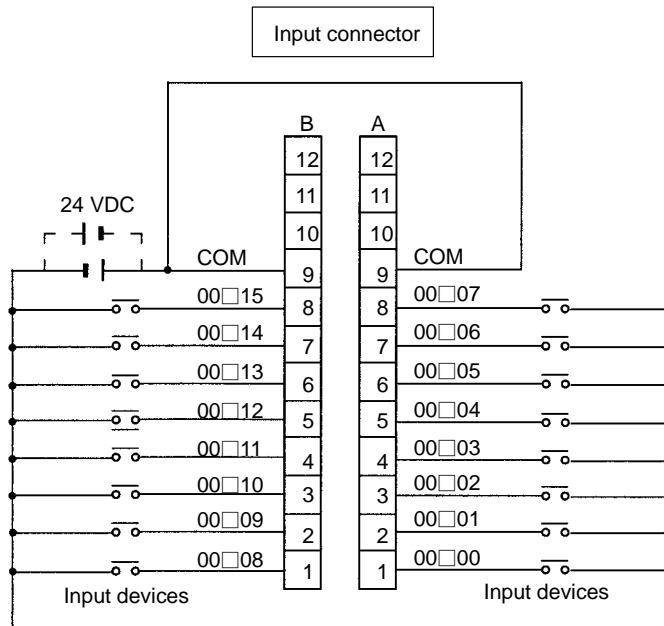


Note COM terminals (A9 to B9) are connected internally.

**Expansion I/O Unit with 8 Input Points
(CPM2C-8EDC)**



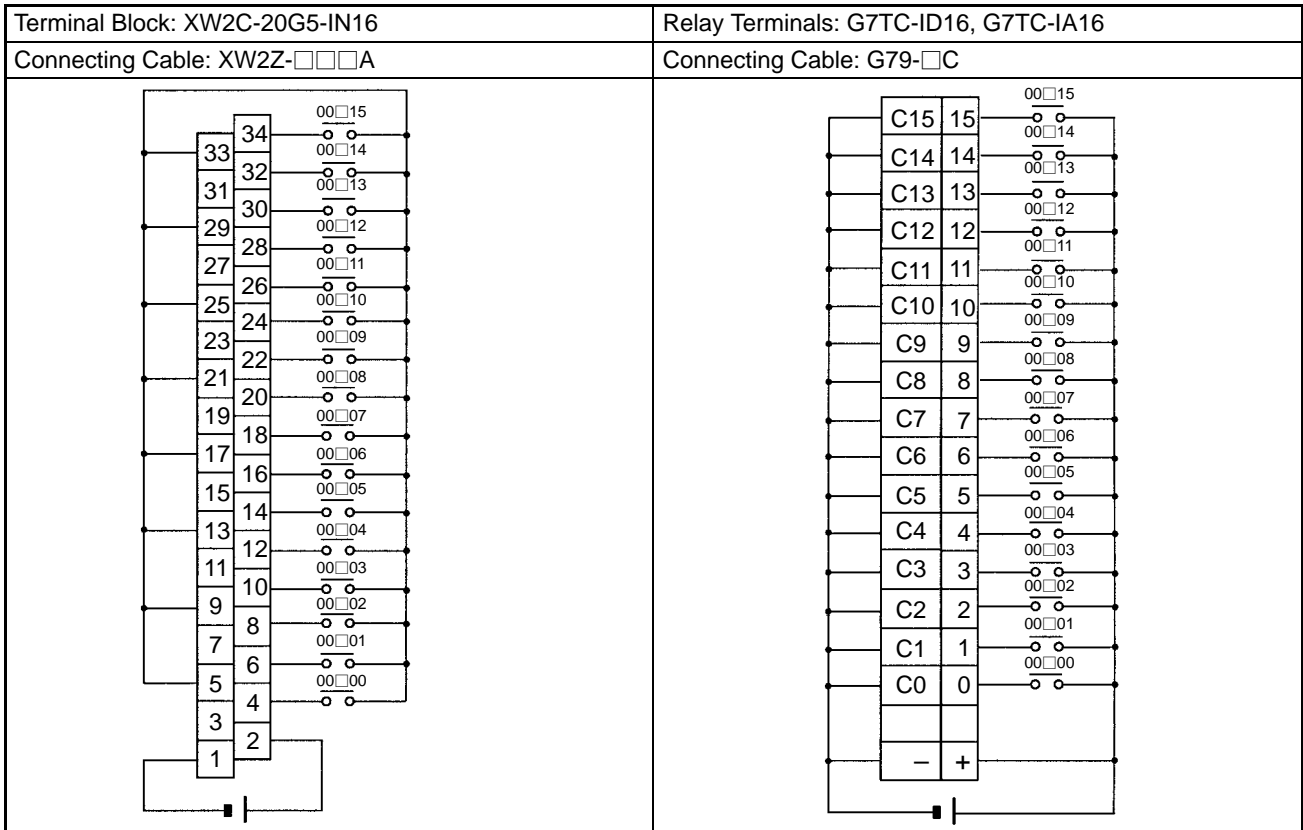
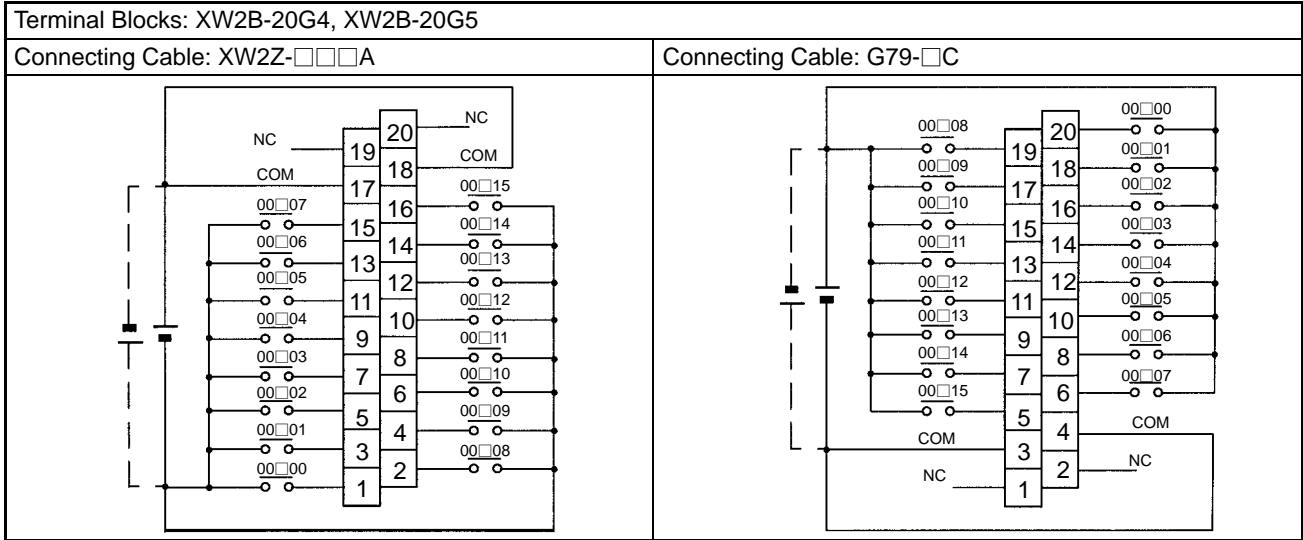
**Expansion I/O Unit with 16 Input Points
(CPM2C-16EDC)**



Note COM terminals (A9 to B9) are connected internally.

Wiring Input Terminals

The wiring for input terminals is as shown below.

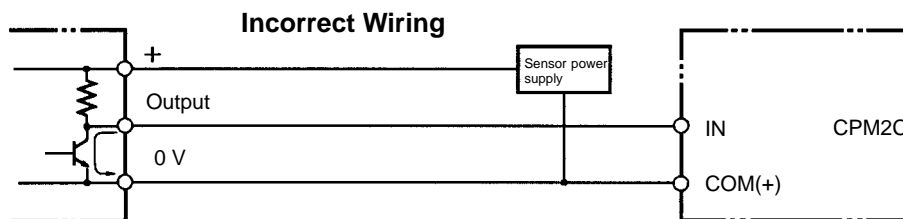


Input Devices

The following table shows how to connect various input devices.

Device	Circuit diagram
Relay output	
NPN open collector	
NPN current output	
PNP current output	
Voltage output	

Note Do **not** use the following wiring with voltage-output devices:

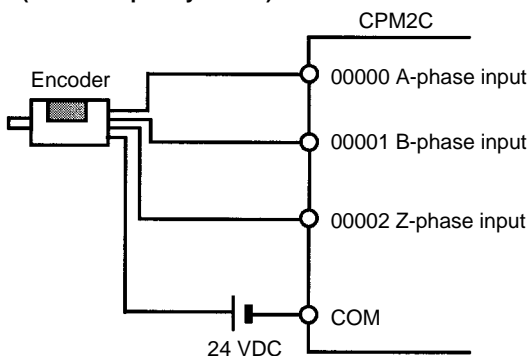


High-speed Counter Inputs

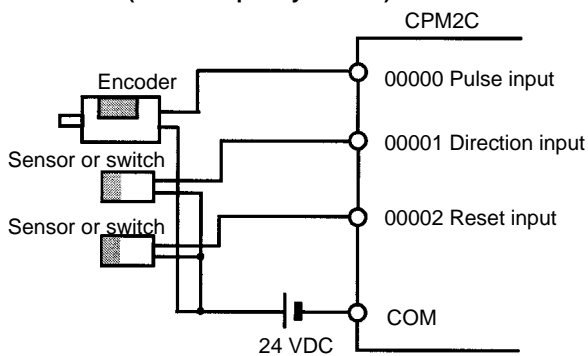
Using IR 00000 to IR 00002 as High-speed Counter Inputs

In these examples, Encoders with an external 24-VDC open-collector output are connected.

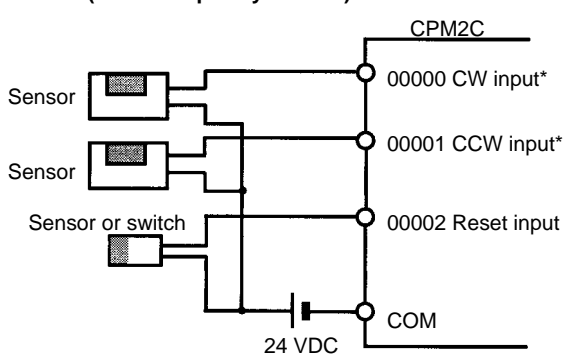
Differential Phase Mode
(Count frequency: 5 kHz)



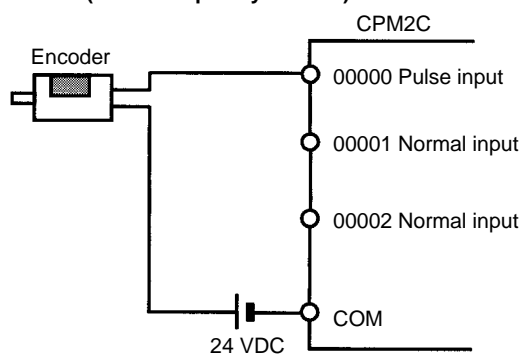
Pulse Plus Direction Input Mode
(Count frequency: 20 kHz)



Up/Down Mode
(Count frequency: 20 kHz)



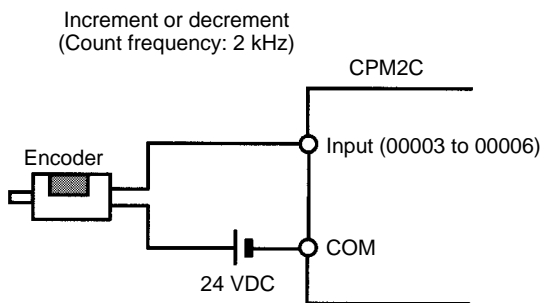
Increment Mode
(Count frequency: 20 kHz)



Note *CW is clockwise and CCW is counter-clockwise.

Using IR 00003 to IR 00006 as Interrupt Inputs (Counter Mode)

In these examples, an Encoder with an external 24-VDC open-collector output is connected.



PC Setup Settings

The input bits shown in the following tables can operate as normal inputs or they can be assigned special functions in the PC Setup.

Special functions for input bits IR 00000 through IR 00002 are set in DM 6642:

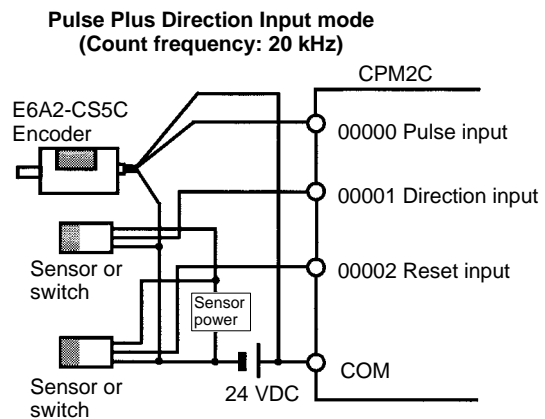
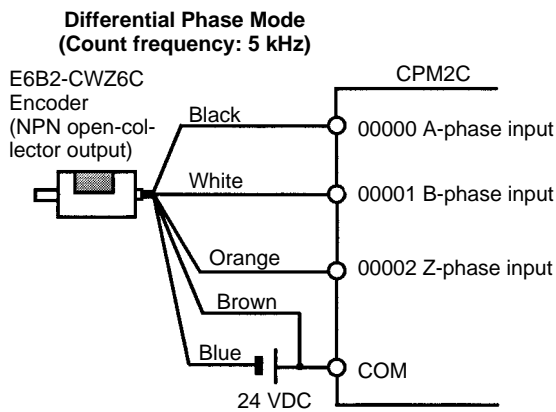
Bit address	PC Setup setting (DM 6642 bits 08 to15)		
	00	01	02, 03, or 04
IR 00000	Used as normal inputs.	Used as high-speed counter inputs.	Used as inputs for synchronized pulse control.
IR 00001			
IR 00002			Used as a normal input.

Special functions for input bits IR 00003 through IR 00006 are set in DM 6628:

Bit address	Bits in DM 6628	PC Setup setting (in DM 6628)		
		0	1	2
IR 00003	00 to 03	Used as normal inputs.	Used as interrupt inputs (including counter mode).	Used as quick-response inputs.
IR 00004	04 to 07			
IR 00005	08 to 11*			
IR 00006	12 to 15*			

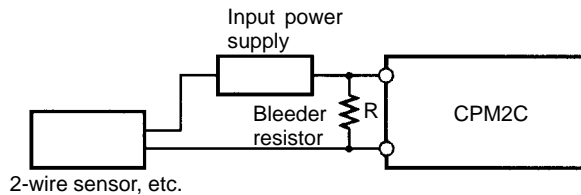
Note *These inputs must be set as normal inputs (setting: 0) when a CPU Unit with 10 I/O points is being used.

High-speed Counter Input Connection Examples



Leakage Current

A leakage current can cause false inputs when using 2-wire sensors (proximity switches or photoelectric switches) or limit switches with LEDs. False inputs won't occur if the leakage current is less than 1.0 mA. If the leakage current exceeds these values, insert a bleeder resistor in the circuit to reduce the input impedance, as shown in the following diagram.



- I: Device's leakage current (mA)
- R: Bleeder resistance (kΩ)
- W: Bleeder resistor's power rating (W)
- L_C: CPM2C's input impedance (kΩ)
- I_C: CPM2C's input current (mA)
- E_C: CPM2C's OFF voltage (V) = 5.0 V

$$R = \frac{L_C \times 5.0}{I \times L_C - 5.0} \text{ k}\Omega \text{ max.} \quad W = \frac{2.3}{R} \text{ W min.}$$

The equations above were derived from the following equations:

$$I \times \frac{R \times \text{Input voltage (24)}}{\text{Input current (I}_C)} \square \text{ OFF voltage (E}_C : 5.0)$$

$$R + \frac{\text{Input voltage (24)}}{\text{Input current (I}_C)}$$

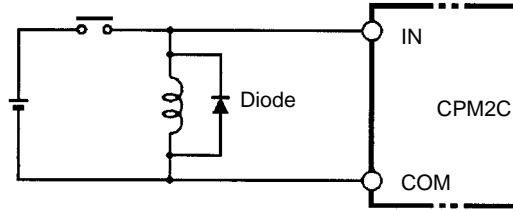
$$W \square \frac{\text{Input voltage (24)}}{R} \times \text{Input voltage (24)} \times \text{tolerance (4)}$$

Refer to 2-1-4 I/O Specifications for details on the values L_C, I_C, and E_C. The input impedance, input current, and OFF voltage may vary depending on the input being used. (IN00000 through IN00002 have different values.)

Inductive Loads

When connecting an inductive load to an input, connect a diode in parallel with the load. The diode should satisfy the following requirements:

- 1, 2, 3... 1. Peak reverse-breakdown voltage must be at least 3 times the load voltage.
- 2. Average rectified current must be 1 A.



3-4-8 Connecting Output Devices

Wire the outputs to the CPM2C’s CPU Unit and Expansion I/O Unit as shown in the following diagrams.

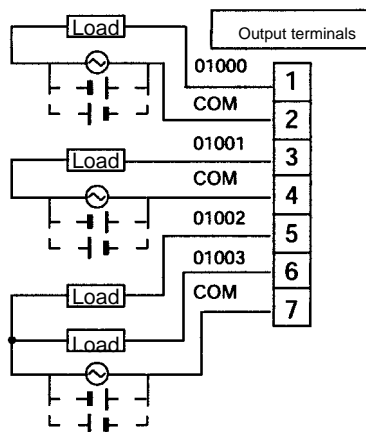
Don’t exceed the output capacity or the maximum common current shown in the following table.

! WARNING The PC outputs may remain ON or OFF due to deposits on or burning of the output relays or destruction of the output transistors. External safety measures must be provided to ensure safety in the system. Not providing proper safety measures may result in serious accidents.

Output Configurations

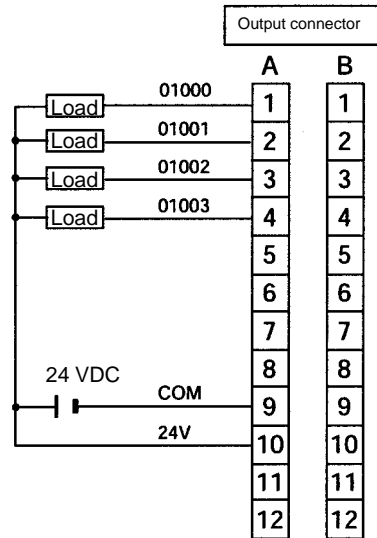
CPU Units with 10 I/O Points, Relay Outputs (CPM2C-10CDR-D/10C1DR-D)

Output capacity	Max. common capacity
2 A (250 VAC or 24 VDC)	4 A/common



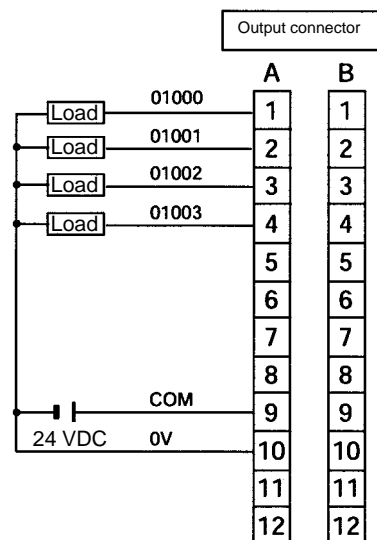
CPU Units with 10 I/O Points, Sinking Transistor Outputs (CPM2C-10CDTC-D/10C1DTC-D)

Output capacity	Max. common capacity
300 mA (24 VDC)	1.2 A/common



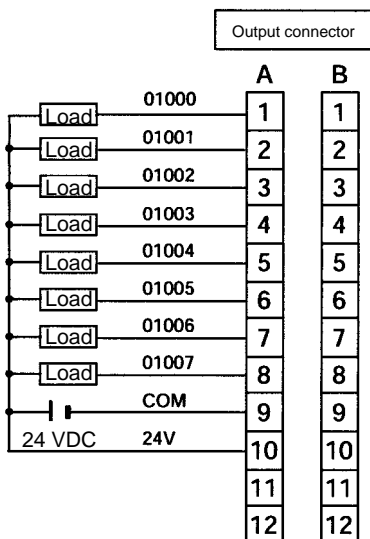
CPU Units with 10 I/O Points, Sourcing Transistor Outputs (CPM2C-10CDT1C-D/10C1DT1C-D)

Output capacity	Max. common capacity
300 mA (24 VDC)	1.2 A/common



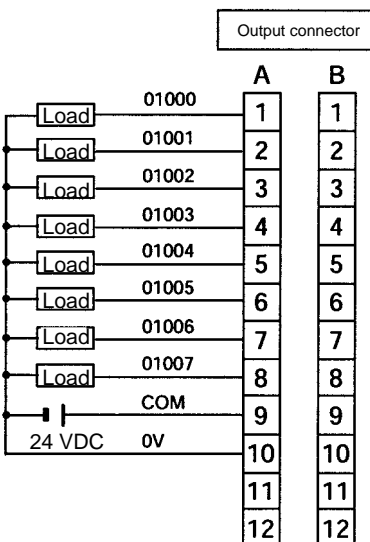
CPU Units with 20 I/O Points, Sinking Transistor Outputs (CPM2C-20CDTC-D/20C1DTC-D)

Output capacity	Max. common capacity
300 mA (24 VDC)	2.4 A/common



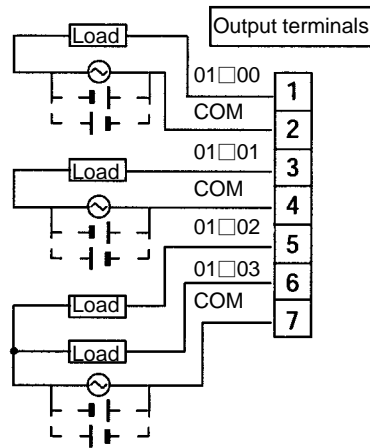
CPU Units with 20 I/O Points, Sourcing Transistor Outputs (CPM2C-20CDT1C-D/20C1DT1C-D)

Output capacity	Max. common capacity
300 mA (24 VDC)	2.4 A/common



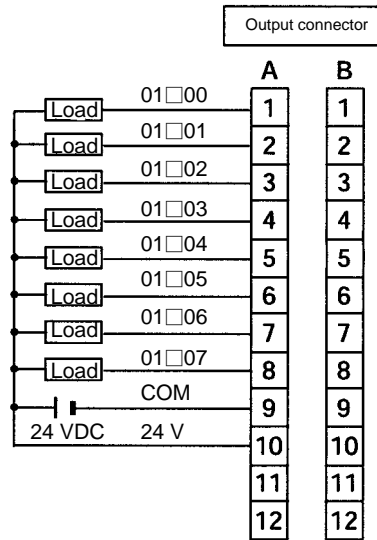
Expansion I/O Unit with 10 I/O Points, Relay Outputs (CPM2C-10EDR)

Output capacity	Max. common capacity
2 A (250 VAC or 24 VDC)	4 A/common



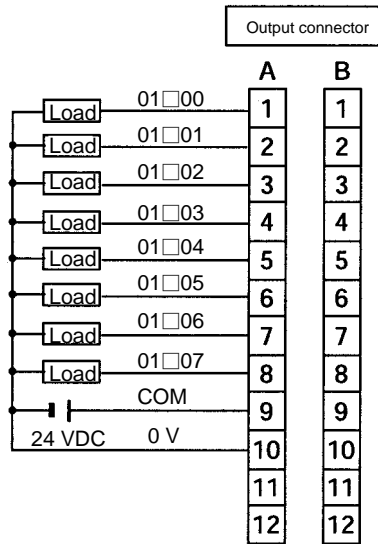
Expansion I/O Unit with 24 I/O Points, Sinking Transistor Outputs (CPM2C-24EDTC)

Output capacity	Max. common capacity
300 mA (24 VDC)	2.4 A/common



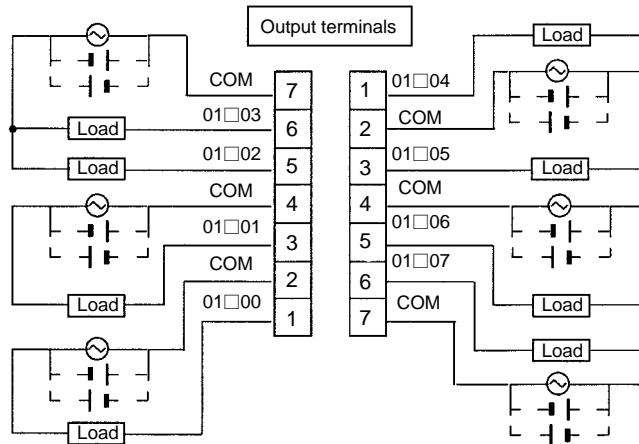
Expansion I/O Unit with 24 I/O Points, Sourcing Transistor Outputs (CPM2C-24EDT1C)

Output capacity	Max. common capacity
300 mA (24 VDC)	2.4 A/common



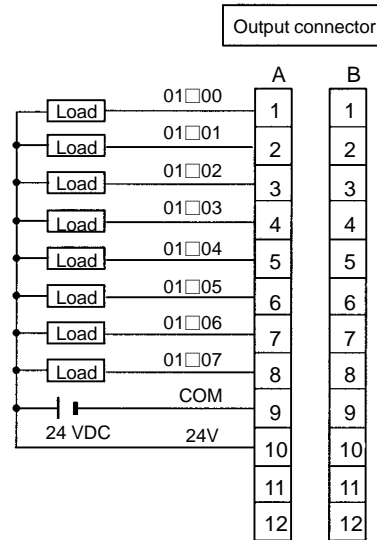
Expansion I/O Unit with 8 Output Points, Relay Outputs (CPM2C-8ER)

Output capacity	Max. common capacity
2 A (250 VAC/24 VDC)	4 A/common



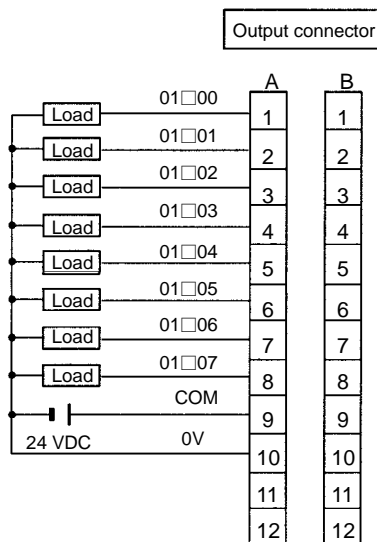
Expansion I/O Unit with 8 Output Points, Sinking Transistor Outputs (CPM2C-8ETC)

Output capacity	Max. common capacity
300 mA (24 VDC)	2.4 A/common



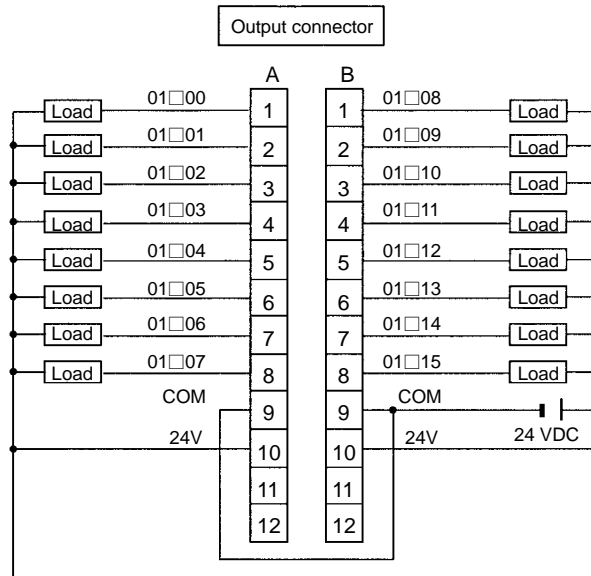
Expansion I/O Unit with 8 Output Points, Sourcing Transistor Outputs (CPM2C-8ET1C)

Output capacity	Max. common capacity
300 mA (24 VDC)	2.4 A/common



Expansion I/O Unit with 16 Output Points, Sinking Transistor Outputs (CPM2C-16ETC)

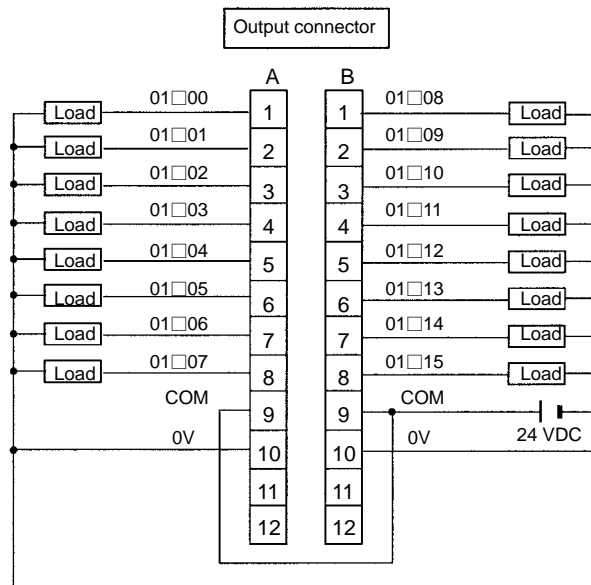
Output capacity	Max. common capacity
00 to 07: 300 mA (24 VDC) 08 to 15: 100 mA (24 VDC)	3.2 A/common



Note Wire COM terminals (A9 and B9) and 24-V terminals (A10 and B10) even though they are connected internally.

Expansion I/O Unit with 16 Output Points, Sourcing Transistor Outputs (CPM2C-16ET1C)

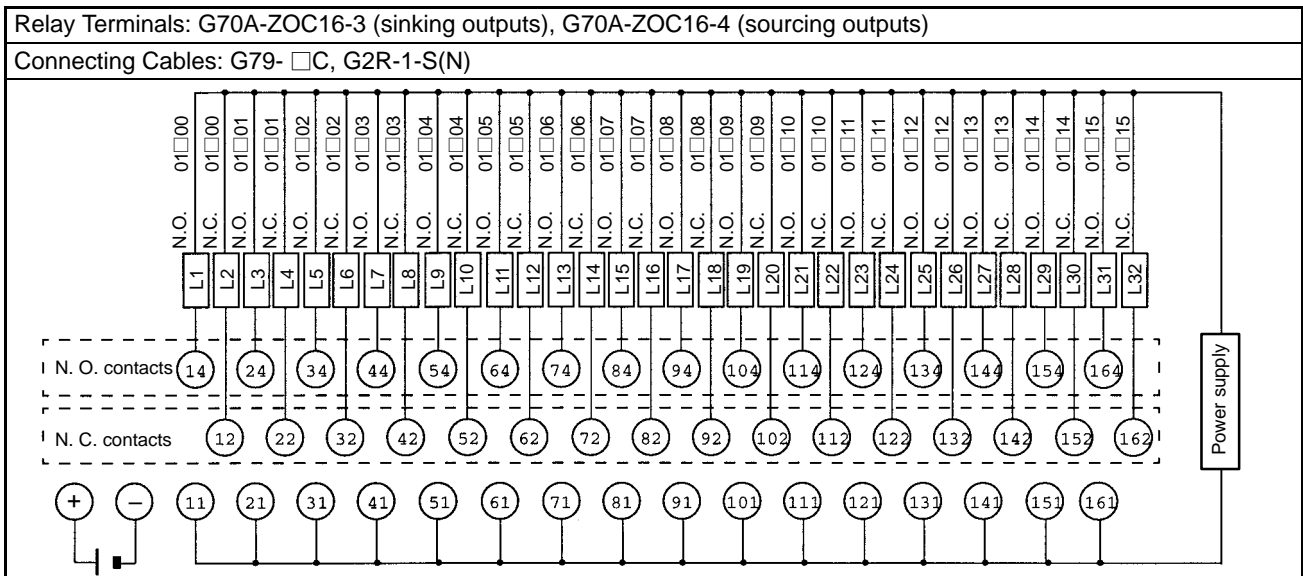
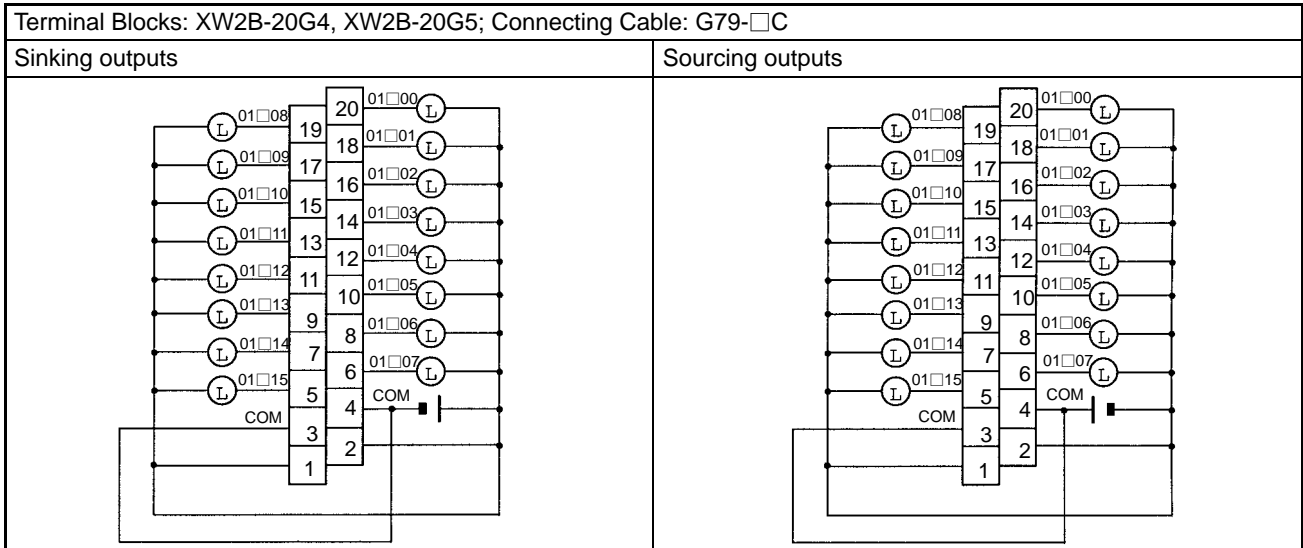
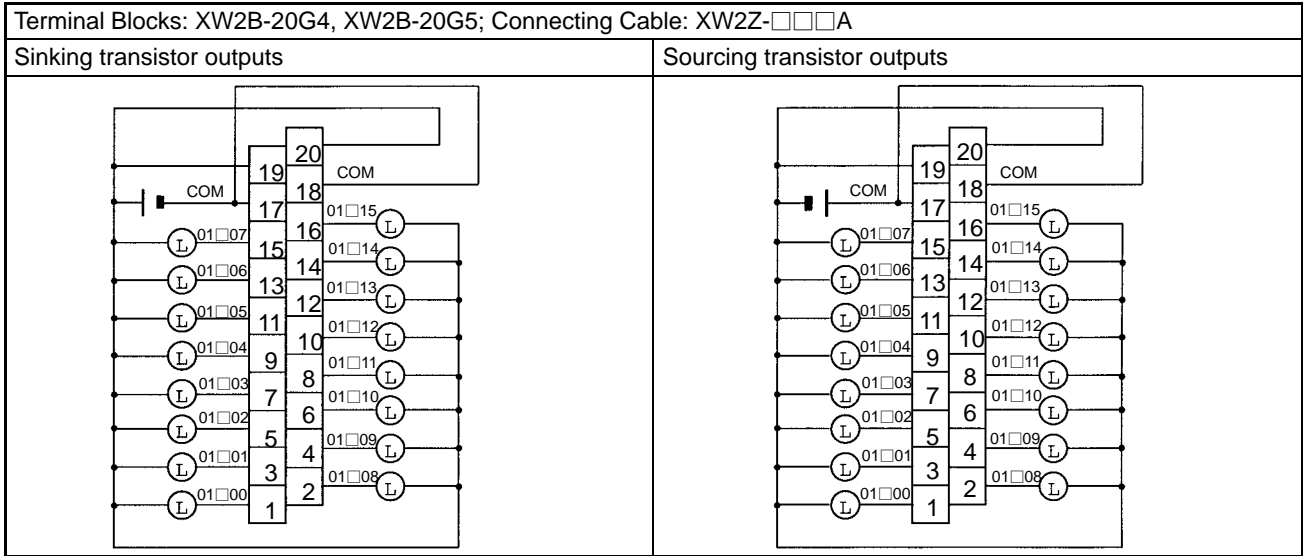
Output capacity	Max. common capacity
00 to 07: 300 mA (24 VDC) 08 to 15: 100 mA (24 VDC)	3.2 A/common



Note Wire COM terminals (A9 and B9) and 0-V terminals (A10 and B10) even though they are connected internally.

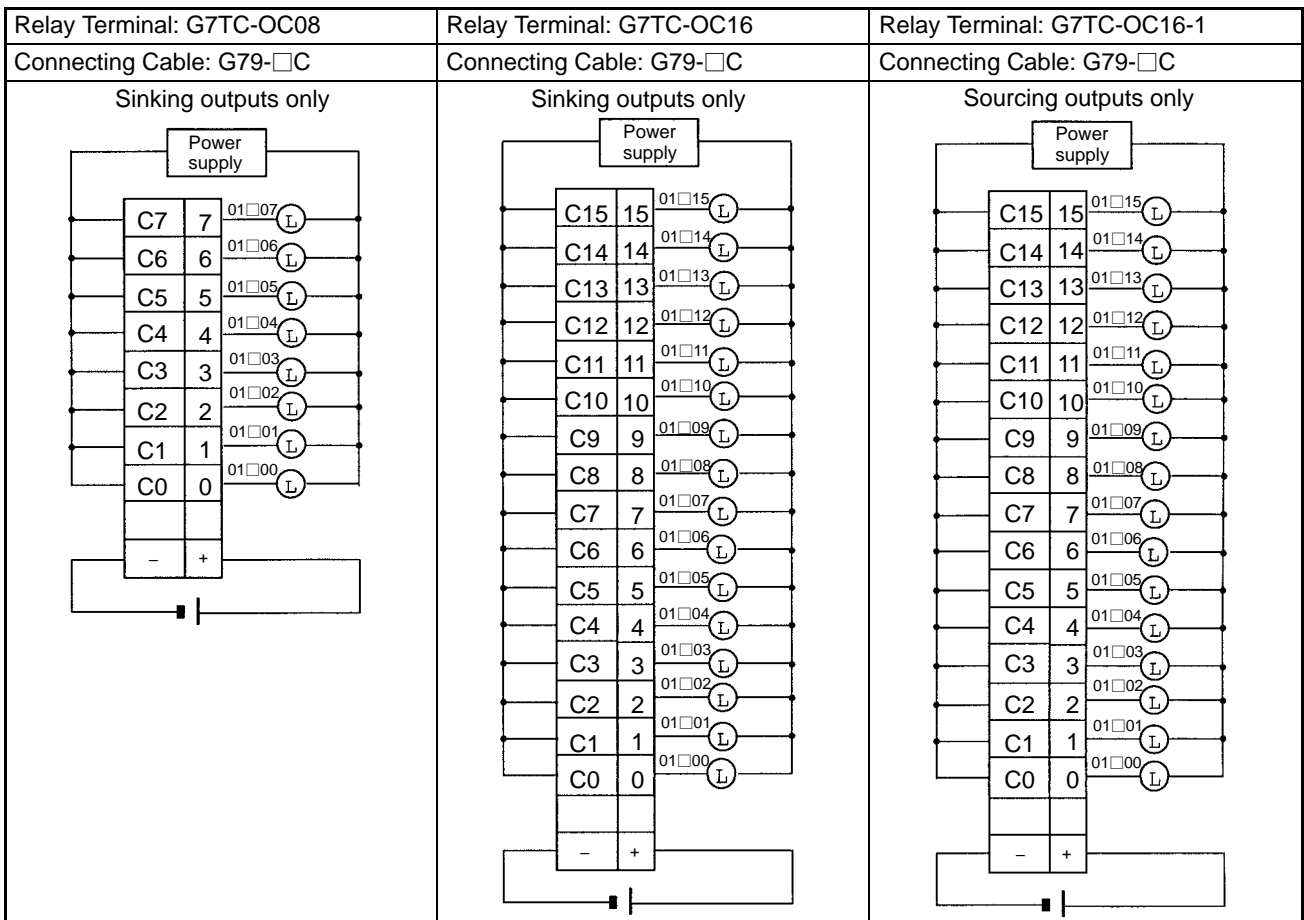
Wiring Output Terminals

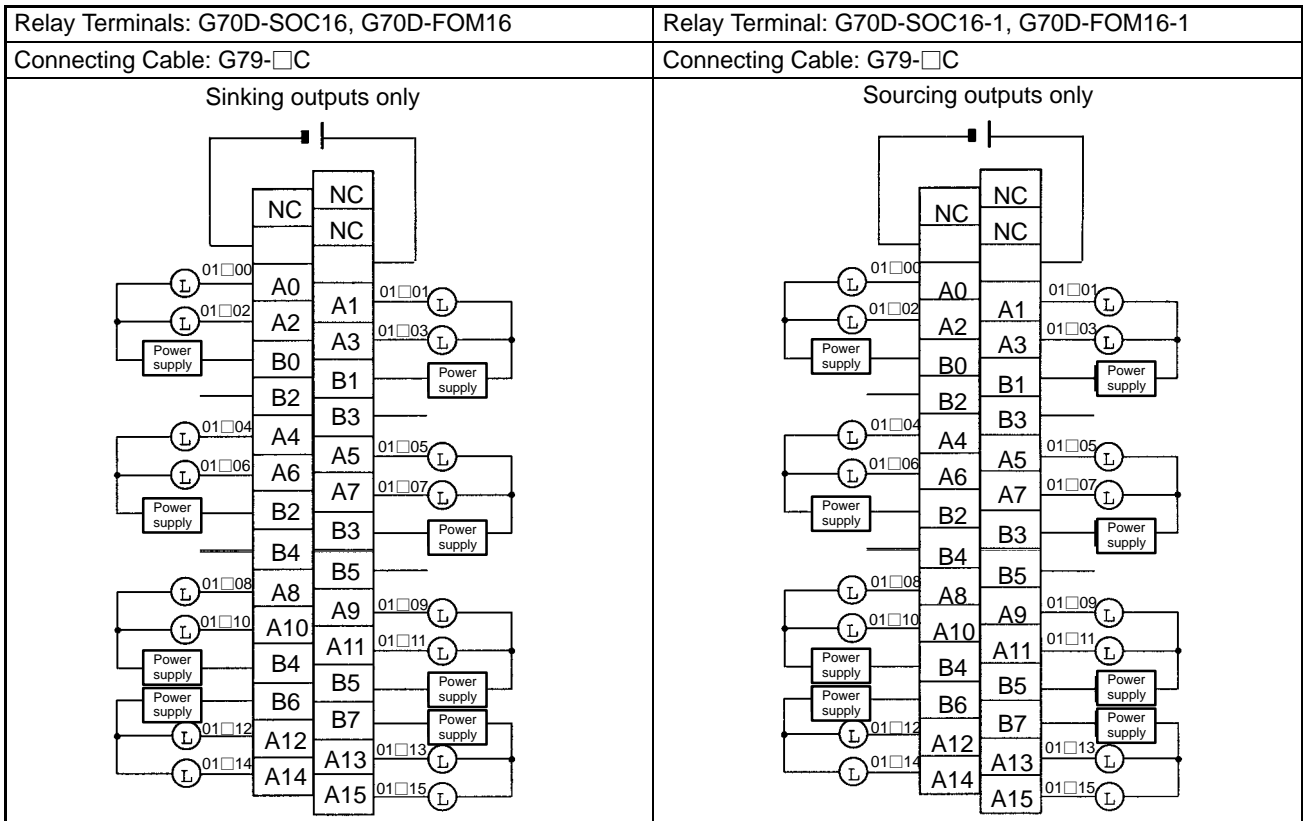
The wiring for output terminals is as shown below.



Note The relay numbers that can be used vary with the Unit used, as shown in the following table.

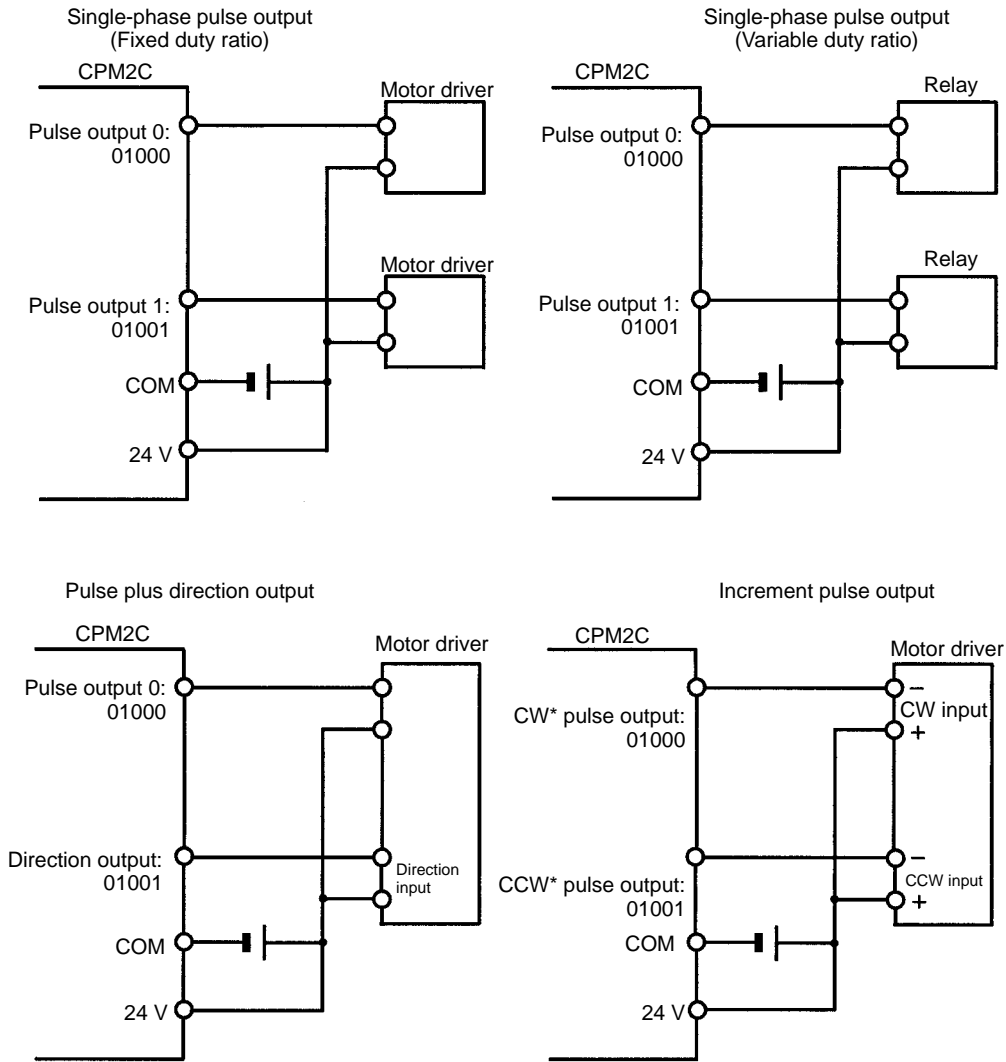
Unit	Input relay numbers	Output relay numbers
CPU Unit with 10 I/O points	00000 to 00005	01000 to 01003
CPU Unit with 20 I/O points	00000 to 00011	01000 to 01007
Expansion I/O Unit with 10 I/O points	00□00 to 00□05	01□00 to 01□03
Expansion I/O Unit with 24 I/O points	00□00 to 00□15	01□00 to 01□07
Expansion I/O Unit with 8 input points	00□00 to 00□07	---
Expansion I/O Unit with 16 input points	00□00 to 00□15	---
Expansion I/O Unit with 8 output points	---	01□00 to 01□07
Expansion I/O Unit with 16 output points	---	01□00 to 01□15





Using Pulse Outputs

The following diagrams show example applications of sink-type transistor outputs using output bits IR 01000 and IR 01001. Use the PULS(65), SPED(—), ACC(—), PWM(—), and SYNC(—) instructions to produce pulse outputs (rather than normal outputs) from output bits IR 01000 and IR 01001.



Note *CW is clockwise and CCW is counter-clockwise.

Output Wiring Precautions

Observe the following precautions to protect the PC's internal components.

Output Short Protection

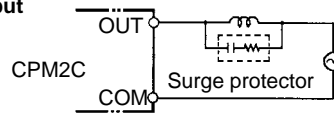
The output or internal circuitry might be damaged when the load connected to an output is short-circuited, so it is recommended to install a protective fuse in each output circuit.

Inductive Loads

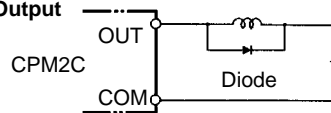
When connecting an inductive load to an input, connect a surge protector or diode in parallel with the load.

The surge protector's components should have the following ratings:

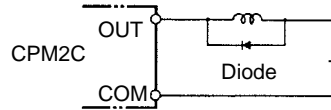
Relay Output



**Relay Output
Transistor Output
(Sinking)**



**Relay Output
Transistor Output
(Sourcing)**



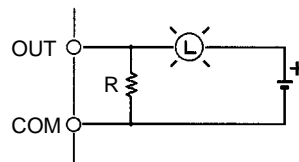
The diode should satisfy the following requirements:

- Peak reverse-breakdown voltage must be at least 3 times the load voltage.
- Average rectified current must be 1 A.

Inrush Current Considerations

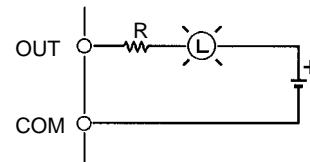
When switching a load with a high inrush current in the CPM2C relay output or transistor output model, such as an incandescent lamp, suppress the inrush current as shown below.

Countermeasure 1



Providing a dark current of approx. one-third of the rated value through an incandescent lamp

Countermeasure 2



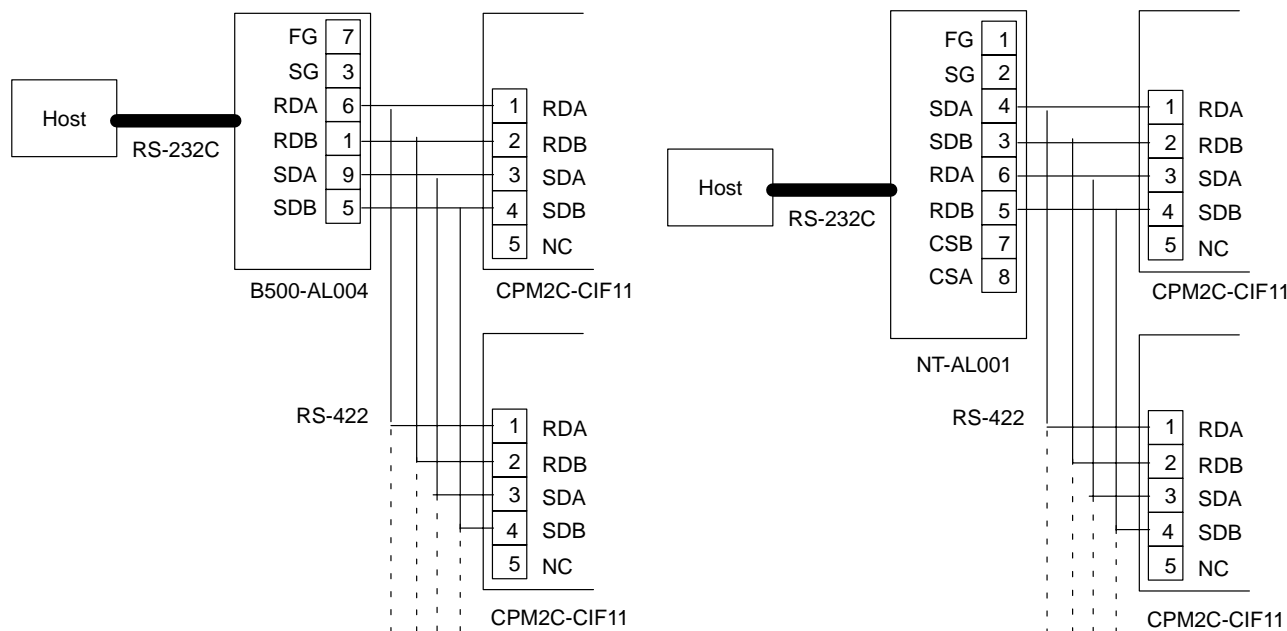
Providing a limiting resistor

Fuse Insertion

The CPM2C with transistor output may burn if the load is short-circuited, therefore, insert a protective fuse in series to the load.

3-4-9 RS-422 Port Connection

When using the RS-422/RS-232C Adapter Unit (CPM2C-CIF11) in a Host Link connection (1:N), wire the RS-422 port as shown below.

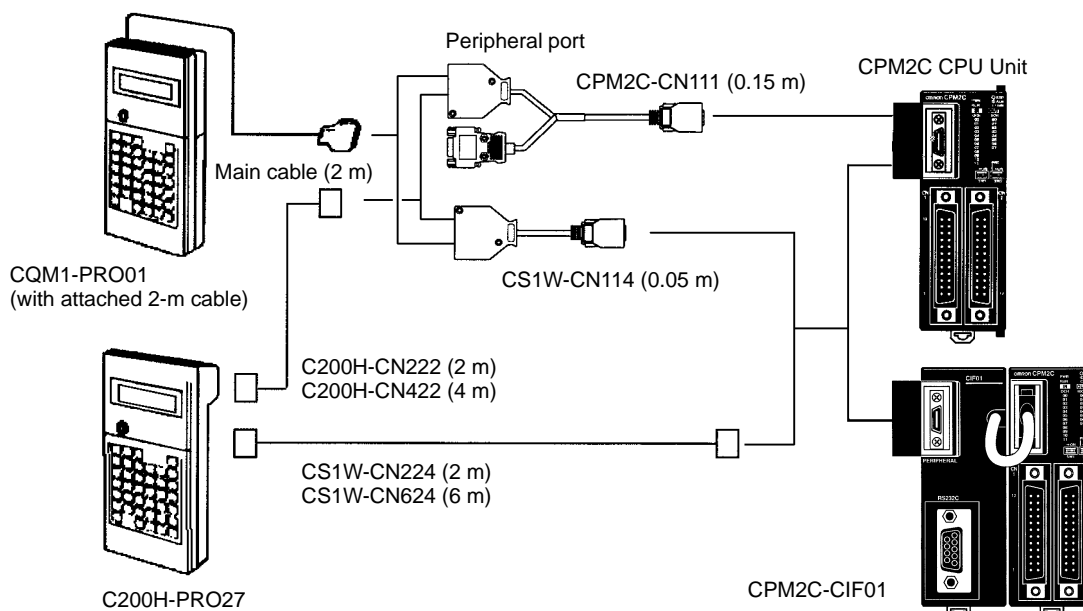


Note Turn ON the terminating resistance in the last Unit for stable communications.

3-4-10 Programming Device Connections

Programming Console

Use one of the connecting cables shown in the following diagram to connect a Programming Console to the CPM2C.

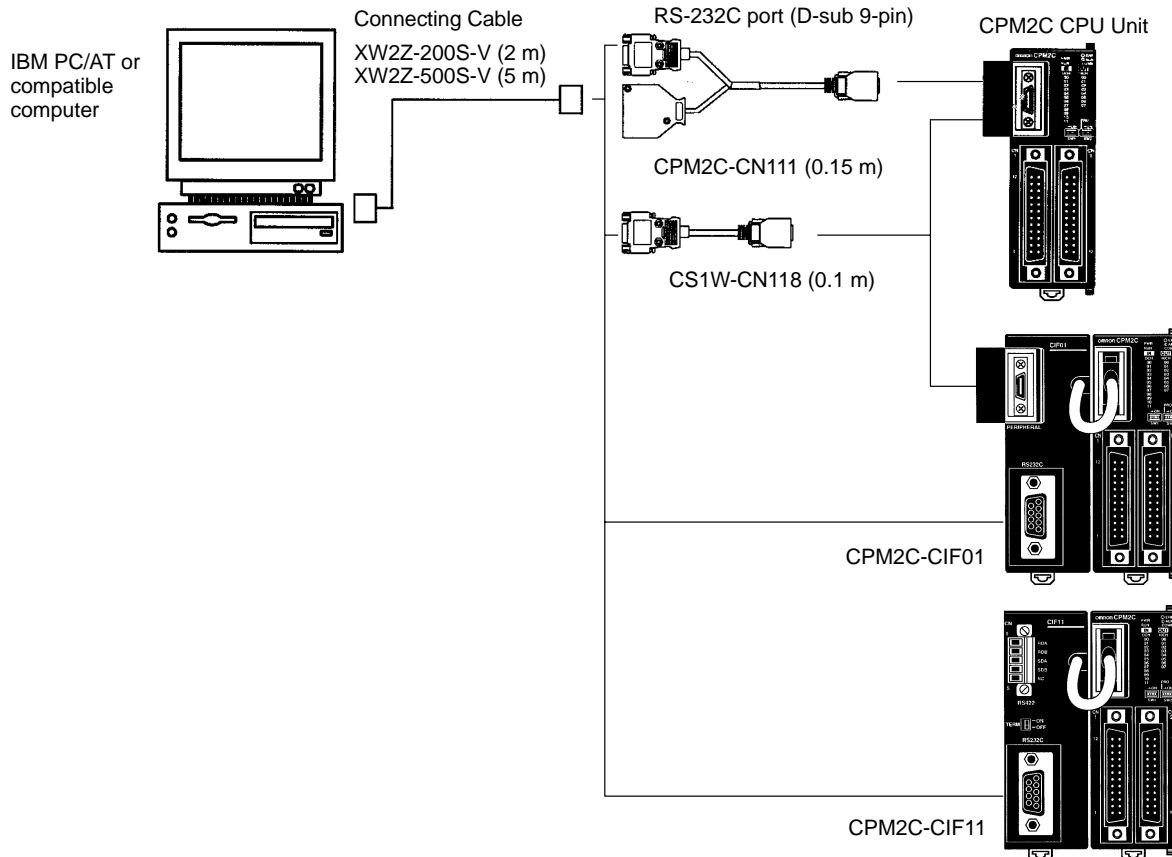


One-to-one Computer Connection

Use one of the connecting cables shown in the following diagram to connect a personal computer with Support Software to the CPM2C's RS-232C port for 1:1 Host Link communications or no-protocol (serial) communications.

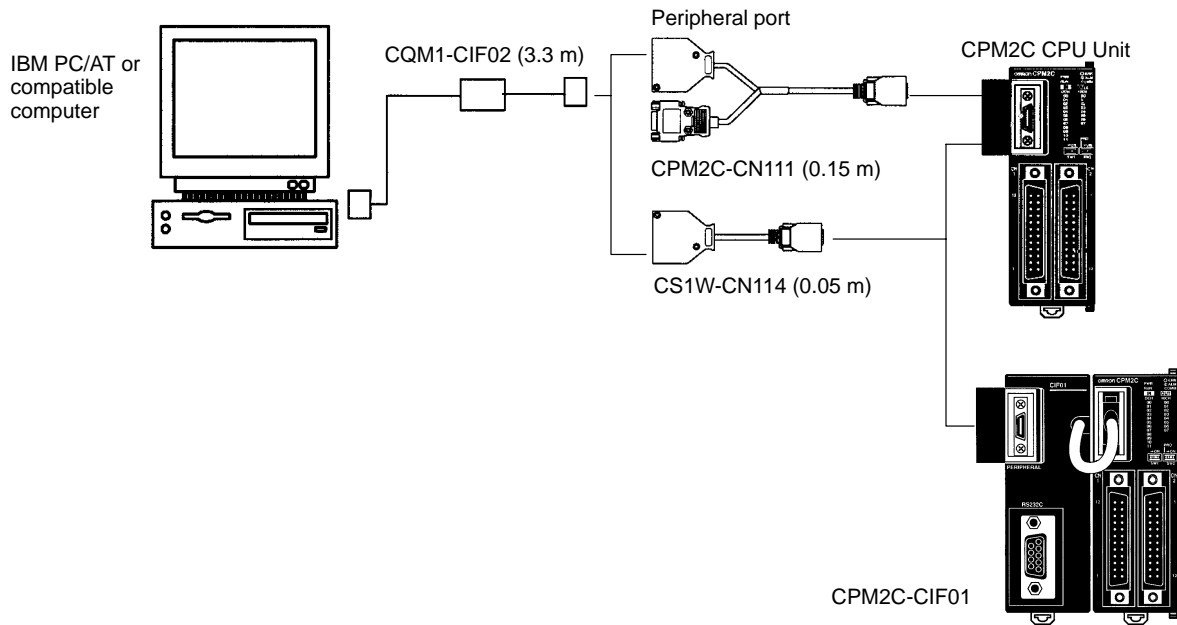
RS-232C Port Connection

A personal computer can be connected to the CPU Unit's RS-232C port with an XW2Z-□00S or XW2Z-□00S-V Connecting Cable. The XW2Z-□00S Cables have a D-sub 25-pin connector and the XW2Z-□00S-V Cables have a D-sub 9-pin connector.



Peripheral Port Connection

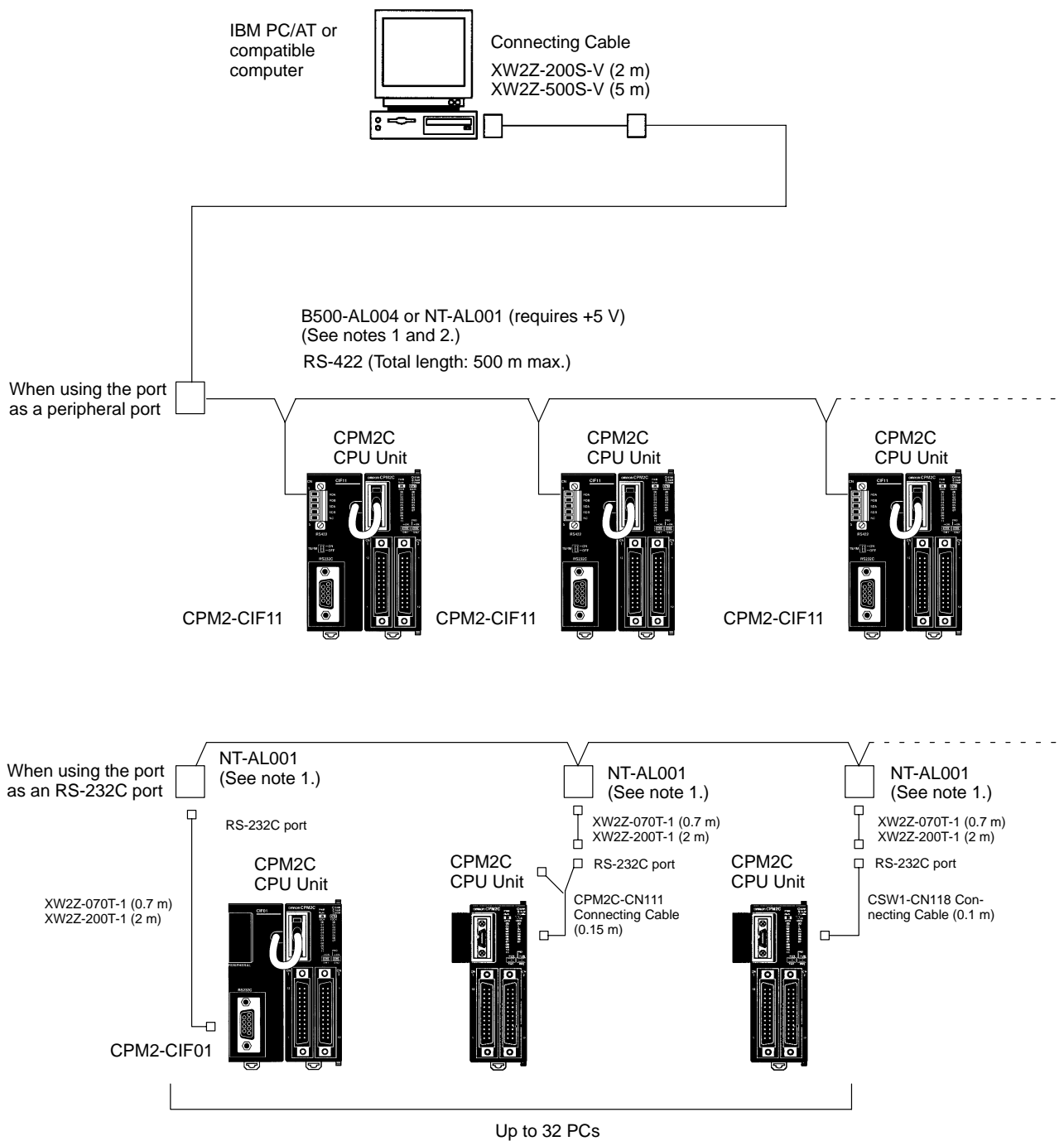
A personal computer can be connected to the CPU Unit's communications port through a CQM1-CIF02 RS-232C Adapter. The CQM1-CIF02 RS-232C Adapter has a 9-pin connector.



- Note**
1. The CS1W-CN226/626 Connecting Cables can be used, but the CS1W-CN225/625 and CS1W-CN227/627 Connecting Cables cannot be used.
 2. The CQM1-CIF11 Connecting Cable cannot be used. (If one is connected, the CPM2C will not recognize it; the PC will enter RUN mode at startup if the PC Setup (DM 6600) is set so that the Programming Console's mode switch controls the startup mode.)
 3. Refer to *Section 4 Using Programming Devices* for details on the Support Software that can be used with the CPM2C.

One-to-N Host Link Connection

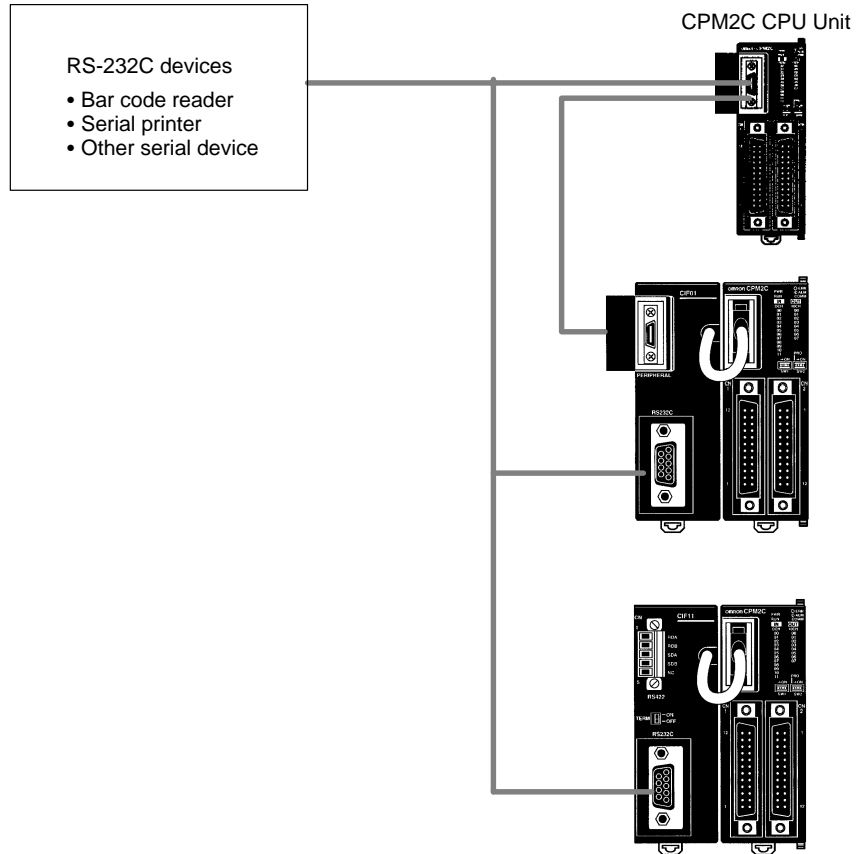
Up to 32 OMRON PCs, including CPM2C PCs, can be connected to a host computer.



- Note**
1. The NT-AL001 must be supplied externally with 5 VDC. When an NT-AL001 is connected to a CPM2C PC, pin 6 of the CPM2C's RS-232C port supplies +5 VDC and an external power supply is not necessary.
 2. The B500-AL004 requires an external AC power supply (110 VAC or 220 VAC).
 3. Be sure that the power supply requirements of the CPU Unit, Expansion Units, and Expansion I/O Units do not exceed the available capacity. Only three Expansion I/O Units and Expansion Units can be connected when the NT-AL001 Adapter connected to the RS-232C port.

3-4-11 No-Protocol Communications

The TXD(48) and RXD(47) instructions can be used in no-protocol mode to exchange data with standard serial devices. For example, data can be received from a bar code reader or transmitted to a serial printer. The serial devices can be connected to the communications port as a RS-232C port or peripheral port, as shown in the following diagrams.

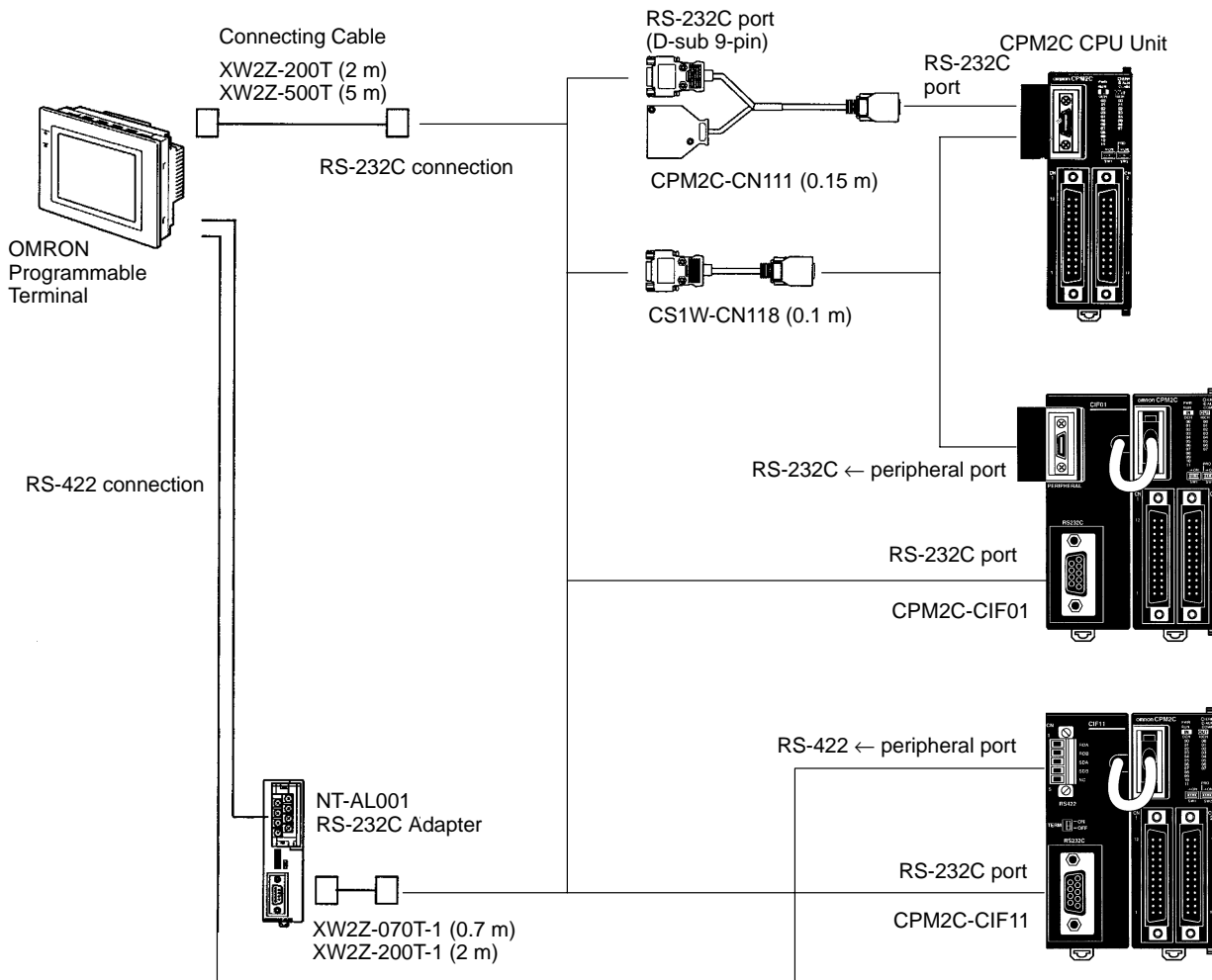


Note See *One-to-one Computer Connections* on page 94 for details on the system configurations that can be assembled for serial communications.

3-4-12 OMRON PT Connections

In a 1:1 NT Link, a CPM2C can be connected directly to a Programmable Terminal. The direct connection with a Programmable Terminal is possible by using the communications as a RS-232C port only (not as a peripheral port).

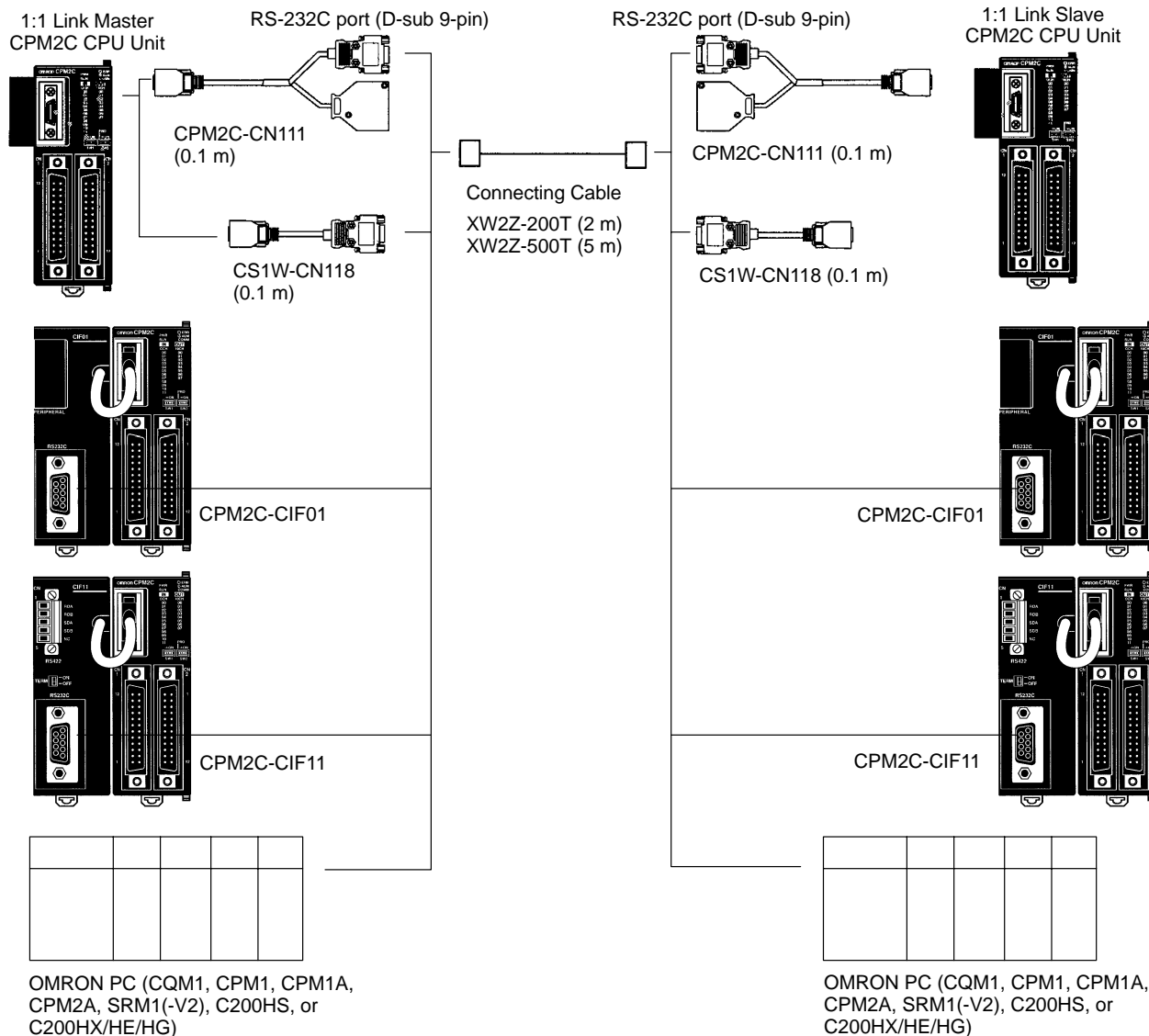
A Programmable Terminal can also be connected by a Host Link connection. Either the RS-232C port or peripheral port connection can be used for the Host Link.



Note The Programmable Terminal cannot be connected using a peripheral port connection when communicating via an NT Link.

3-4-13 One-to-one PC Link Connections

A CPM2C can be linked to another CPM2C, a CQM1, CPM1, CPM1A, CPM2A, SRM1(-V2), C200HS, or C200HX/HE/HG PC. The PC must be connected using the communications port as an RS-232C port (not as a peripheral port).



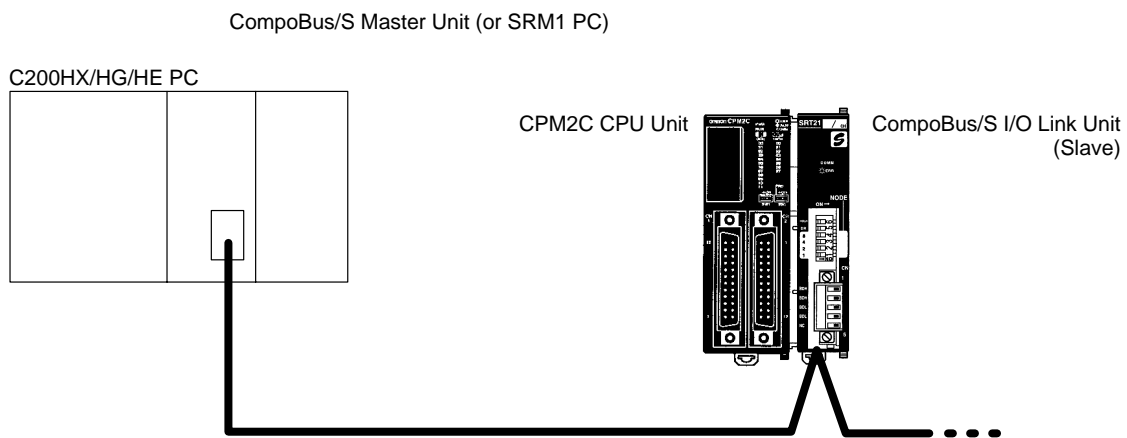
Note Even though the peripheral port on the CPM2C-CIF01 can output RS-232C, this port cannot be used for one-to-one link communications.

3-4-14 CompoBus/S I/O Link Connections

A CompoBus/S I/O Link can be used to create an I/O link (remote I/O) of 8 input points and 8 output points with a CompoBus/S Master Unit or SRM1 PC. The connection is made through a CompoBus/S I/O Link Unit.

From the standpoint of the CPM2C CPU Unit, the area allocated to the CompoBus/S I/O Link Unit can be treated just like the area allocated to an Expansion I/O

Unit. The difference is that the bits are not actual I/O points, but I/O bits in the Master Unit.



Cables

Use special flat cable or VCTF cable to connect the nodes in the CompoBus/S I/O Link. (Special flat cables and VCTF cables cannot be combined in the same system.)

Name	Specifications
Flat cable	4-core flat cable, 0.75 mm ²
VCTF cable	2-core x 0.75 mm ²

SECTION 4

Using Programming Devices

This section outlines the operations possible with the SYSMAC-CPT, SYSMAC Support Software (SSS) and the Programming Consoles. Actual CPT operating procedures are provided in the *CPT User Manual*. Actual SSS operating procedures are provided in the *SSS Operation Manuals: Basics and C-series PCs*. Operations for the WS02-CXPC1-E CX-Programmer are provided in the *WS02-CXPC1-E CX-Programmer User Manual (W361)* and the *CX-Server User Manual (W362)*. Refer to 3-4-10 *Programming Device Connections* and 4-3-1 *Connecting the Programming Console* for details on connecting a Programming Console or personal computer to the CPM2C.

4-1	SYSMAC-CPT Support Software	104
4-1-1	Introduction	104
4-1-2	Limitations and Precautions	104
4-1-3	Using the SYSMAC-CPT Support Software	106
4-2	SYSMAC Support Software (SSS)	111
4-2-1	Introduction	111
4-2-2	Limitations and Precautions	112
4-3	Using a Programming Console	114
4-3-1	Connecting the Programming Console	114
4-3-2	Compatible Programming Consoles	116
4-3-3	Changing the CPM2C's Mode with the Mode Switch	118
4-3-4	Preparation for Operation	120
4-3-5	Entering the Password	120
4-4	Programming Console Operations	122
4-4-1	Overview	122
4-4-2	Clearing Memory	123
4-4-3	Reading/Clearing Error Messages	124
4-4-4	Buzzer Operation	124
4-4-5	Assigning Expansion Instruction Function Codes	125
4-4-6	Setting and Reading a Program Memory Address and Monitoring I/O Bit Status	126
4-4-7	Entering or Editing Programs	126
4-4-8	Instruction Search	129
4-4-9	Bit Operand Search	130
4-4-10	Inserting and Deleting Instructions	131
4-4-11	Checking the Program	132
4-4-12	Bit, Digit, Word Monitor	132
4-4-13	Differentiation Monitor	134
4-4-14	Binary Monitor	135
4-4-15	Three-Word Monitor	136
4-4-16	Signed Decimal Monitor	136
4-4-17	Unsigned Decimal Monitor	137
4-4-18	Three-Word Data Modification	137
4-4-19	Changing Timer, Counter SV	138
4-4-20	Hexadecimal, BCD Data Modification	139
4-4-21	Binary Data Modification	140
4-4-22	Signed Decimal Data Modification	140
4-4-23	Unsigned Decimal Data Modification	141
4-4-24	Force Set, Reset	142
4-4-25	Clear Force Set/Reset	143
4-4-26	Hex-ASCII Display Change	143
4-4-27	Displaying the Cycle Time	144
4-4-28	Reading and Setting the Clock	144
4-5	Programming Example	145
4-5-1	Preparatory Operations	145
4-5-2	Example Program	146
4-5-3	Programming Procedures	147
4-5-4	Checking the Program	150
4-5-5	Test Run in MONITOR Mode	150

4-1 SYSMAC-CPT Support Software

4-1-1 Introduction

The SYSMAC-CPT Support Software is a complete programming and control package. It provides not only programming capabilities, but also advanced debugging, monitoring, and program/data management. The software is compatible with Windows 3.1, Windows 95, Windows 98, and Windows NT 3.5/4.0.

Any version of the SYSMAC-CPT Support Software can be used to program CPM2C PCs with the limitations described later in this section. For further information and actual operating procedures, please refer to the *SYSMAC-CPT Support Software Quick Start Guide (W332)* and *User Manual (W333)*.

Refer to *3-4-10 Programming Device Connections* for details on connecting a personal computer to the CPM2C.

4-1-2 Limitations and Precautions

When programming a CPM2C PC with the SYSMAC-CPT Support Software, set the PC model to "CQM1" and the CPU model to "CPU43." There are some software limitations because of differences between the CPM2C and CQM1-CPU43 CPUs.

Program Input and Program Check

CQM1 data areas are larger than the corresponding CPM2C data areas, so the data area addresses that don't actually exist in the CPM2C or instructions not supported by the CPM2C can be input and won't be detected in the program check. Be sure that the word and bit addresses are within the specified ranges and that all instructions are supported.

If a program contains a data area address that exceeds the range of a CPM2C data area, a memory error will be generated when the program is executed and the Memory Area Specification Error Flag (AR 1308) will be turned ON.

Data area		CQM1 range	CPM2C range
Input words		IR 000 to IR 011	IR 000 to IR 009
Output words		IR 100 to IR 111	IR 010 to IR 019
Work words and dedicated words		IR 012 to IR 099 IR 112 to IR 227	IR 020 to IR 049/IR 200 to IR 227 (IR 050 to IR 199 cannot be used.)
SR area		SR 228 to SR 255	SR 228 to SR 255
HR area		HR 00 to HR 99	HR 00 to HR 19 (HR 20 to HR 99 cannot be used.)
AR area		AR 00 to AR 27	AR 00 to AR 23 (AR 24 to AR 27 cannot be used.)
LR area		LR 00 to LR 63	LR 00 to LR 15 (LR 16 to LR 63 cannot be used.)
Timer/Counter area		TIM/CNT 000 to 511	TIM/CNT 000 to 255 (TIM/CNT 256 to 511 cannot be used.)
DM area	Read/write	DM 0000 to DM 6143	DM 0000 to DM 1999, DM 2022 to DM 2047 (DM 2048 to DM 6143 cannot be used.)
	Read-only	DM 6144 to DM 6568	DM 6144 to DM 6599
	Error Log	DM 6569 to DM 6599	DM 2000 to DM 2021
	PC Setup	DM 6600 to DM 6655	DM 6600 to DM 6655

Since the PC model is set to "CQM1," a program that will run properly in the CQM1 will pass the program check even if it won't run properly in the CPM2C.

Monitoring, Online Editing, and Set Values

An error message will be displayed and the values will not be accepted if a data area address that exceeds the range of a CPM2C data area is entered for monitoring, an instruction operand, or a timer/counter SV.

Available Program Memory

The program capacity of the CQM1 (7,200 words) is greater than that of the CPM2C (4,096 words), and so the display will show more free space than is actually available. Be sure to keep the actual program capacity in mind while programming.

Program Transfer

When the program is transferred from the PC to the CPT with the default function code assignments, FUN18, FUN19, FUN87, and FUN88 will be displayed as TKY, MCMP, DSW, and 7SEG. The instructions, however, will be transferred correctly.

An error will occur if any instructions not supported by the CPT are transferred from the CPM2C.

When the program is transferred from the CPT to the PC, TKY, MCMP, DSW, and 7SEG will be displayed on the CPT, but will not be executed in the CPU Unit. They will be treated as NOP(00).

If expansion instructions are transferred to the PC with DM 6602 is set to the “default settings” or if instructions not supported by the CPM2C are transferred to the PC, a message saying that expansion instructions cannot be written because DIP switch pin 4 is OFF will be displayed. Change the setting of DM 6602 to enable user settings to use expansion instructions.

Expansion Instructions

It will not be possible to transfer the program if the function codes assigned to expansion instructions (18 instructions) have been changed from their default settings. A message to turn ON the DIP switch of the PC and execute again will be displayed. Change the function code assignments to the CQM1 defaults shown in the following table before programming.

Function code	Default CPM2C Assignments	Default CQM1 Assignments
17	ASFT	ASFT
18	---	TKY
19	---	MCMP
47	RXD	RXD
48	TXD	TXD
60	CMPL	CMPL
61	INI	INI
62	PRV	PRV
63	CTBL	CTBL
64	SPED	SPED
65	PULS	PULS
66	SCL	SCL
67	BCNT	BCNT
68	BCMP	BCMP
69	STIM	STIM
87	---	DSW
88	---	7SEG
89	INT	INT

There are four CPM2C instructions (STUP(—), SYNC(—), TIML(—), and TMHH(—)) that are not supported by the CQM1 and cannot be used. If one of these instructions is used in the program, an error will occur when the program is transferred from the PC to the computer.

The input word for the frequency for PWM must be between IR 000 and IR 049, or between IR 200 and IR 252.

If a CQM1 instruction that is not supported by the CPM2C is used in the program, an error will occur when the program is transferred from the computer to the PC.

Error Log The error log cannot be displayed. If data has been written to DM 6569 to DM 6599, however, this data will be incorrectly displayed as the error log. Do not use the information that is displayed.

PC Setup Some of the CPM2C's PC Setup settings are different from those in the CQM1, so not all settings can be made from the menus. These settings have to be made by writing data directly to the word containing the setting.

4-1-3 Using the SYSMAC-CPT Support Software

This section shows how to perform basic SYSMAC-CPT Support Software operations with the CPM2C PC. (The software is operating in a Windows 95 environment in these examples.)

Starting the Software The SYSMAC-CPT Support Software is a Windows 3.1/Windows 98/Windows NT (3.5/4.0) application. Refer to the *SYSMAC-CPT Support Software User Manual (W333)* for details on computer requirements and the software installation procedure.

- 1, 2, 3...** 1. Select "Programs (P)" from the Start Menu, "SYSMAC-CPT," and then "SYSMAC-CPT" to start the software.



2. Read the notes provided in the startup messages and click "OK."



3. The SYSMAC-CPT Support Software will start.



Note To exit from the SYSMAC-CPT Support Software, select "File (F)" from the menu bar and "Exit (X)" from the File menu.

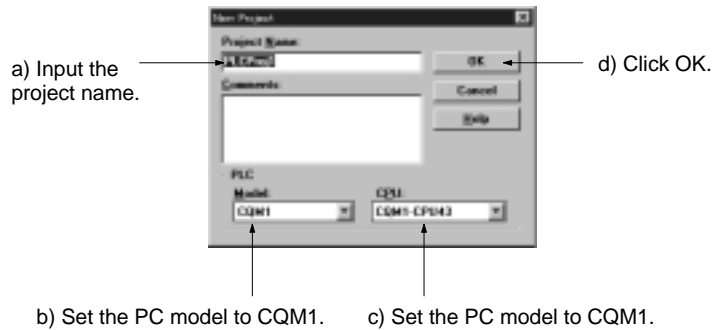
Creating a New Project

Follow this procedure when using SYSMAC-CPT Support Software for the first time or creating a new project. Specify the PC model and CPU version of the PC being used.

- 1, 2, 3... 1. Select "File (E)" from the menu bar and "New (N)" from the File menu.



2. Input the name of the new project, set the PC model to "CQM1," set the CPU version to "CPU43," and click "OK."

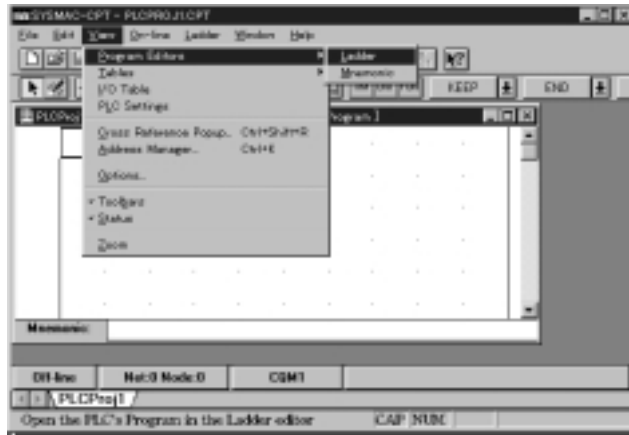


3. The new project's ladder diagram will be displayed.



Writing and Editing the Ladder Program

The SYSMAC-CPT Support Software can display programs in ladder-diagram format or mnemonic format. To switch the display/editing format, select “View (V)” from the menu bar, “Program editor (P),” and then “Ladder (L)” or “Mnemonic (M).”



Ladder-diagram format



Mnemonic format



Transferring the Program

Refer to 3-4-10 *Programming Device Connections* for details on connecting the CPM2C to a personal computer.

Turn ON Communications Switch 2 before connecting the CPM2C to a personal computer running the SYSMAC-CPT Support Software.



Communications Switch 2
(Turn ON when using SYSMAC-CPT Support Software.)

Note Do not turn ON Communications Switch 2 if the CPM2C is connected to a Programming Console or other device such as a CPM1-CIF01/11 or CQM1-CIF01/02. If the switch is turned ON, communications will be interrupted and a communications error will occur. A Programming Console will become unresponsive, key inputs won't be received, and the display will not change.

Operating Modes

The operating mode of the CPM2C when the power is turned ON depends upon the PC Setup settings and the Programming Console's mode switch setting if a Programming Console is connected. See 1-3-3 *Operating Mode at Startup* for details.

The CPM2C has three operating modes: PROGRAM, MONITOR, and RUN. When the CPT is offline, the CPM2C will operate in PROGRAM mode. When the CPT is online, the CPM2C operating mode can be controlled from the CPT.

PROGRAM Mode

The CPM2C program isn't executed in PROGRAM mode. Use PROGRAM mode to create and edit the program, clear memory, or check the program for errors.

MONITOR Mode

The CPM2C program is executed in MONITOR mode and I/O is processed just as it is in RUN mode. Use MONITOR mode to test system operations, such as monitoring CPM2C operating status, force-setting and resetting I/O bits, changing the SV/PV of timers and counters, changing word data, and online editing.

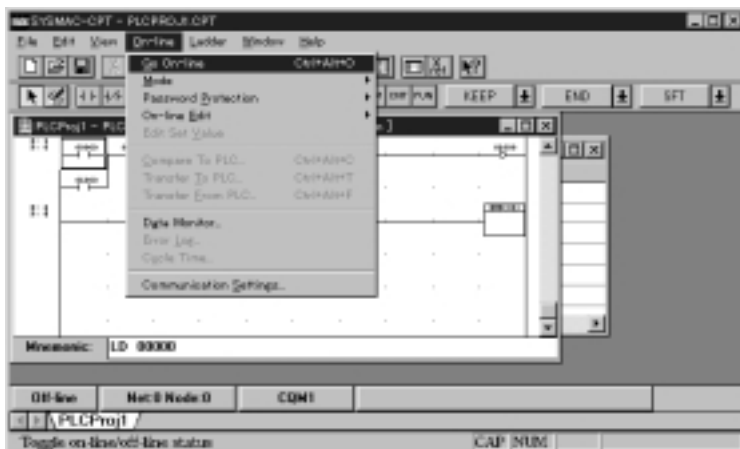
RUN Mode

This is the CPM2C's normal operating mode. The CPM2C's operating status can be monitored from a Programming Device, but bits can't be force-set/force-reset and the SV/PV of timers and counters can't be changed.

Switching to Online Operation

The SYSMAC-CPT Support Software must make an online connection in order to communicate with the CPM2C, transfer the program, or change the CPM2C's operating mode.

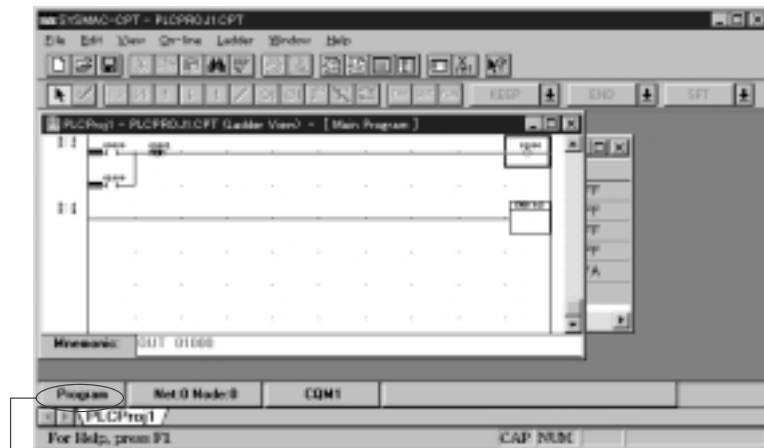
- 1, 2, 3... 1. Select "Online (O)" from the menu bar and "Go online (G)" from the Online menu.



2. A confirmation message will be displayed. Click "OK" to go online.



3. The ladder-diagram display will change to indicate the online connection.



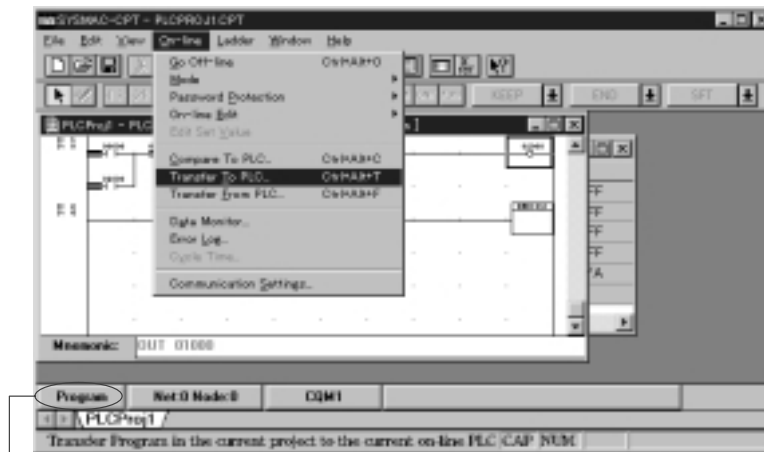
Changes to "Program," showing the PC's operating mode.

Transferring the Program

Use the following procedure to transfer a program to the PC.

Before attempting to transfer the program, make sure that the SYSMAC-CPT Support Software is online and that the CPM2C is in PROGRAM mode. The program cannot be transferred unless the PC is in PROGRAM mode.

- 1, 2, 3... 1. Check that the PC is in PROGRAM mode, select "Online (O)" from the menu bar, and "Transfer (Computer → PC (I))" from the Online menu.



Make sure that the CPM2C is in PROGRAM mode before attempting to transfer the program.

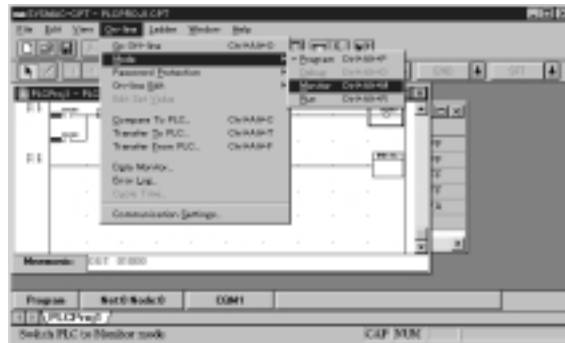
2. Select "Program" and click "Transfer (Computer → PC)" to begin transfer the program.



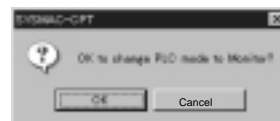
Checking Operation in MONITOR Mode

Use the following procedure to switch the CPM2C to MONITOR mode.

- 1, 2, 3... 1. Make sure that the SYSMAC-CPT Support Software is online. Select “On-line (Q)” from the menu bar, select “Mode (M),” and then “MONITOR (M).”



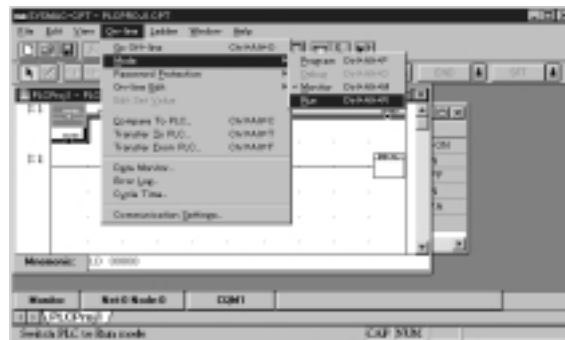
2. A confirmation message will be displayed. Click “OK” to switch to MONITOR mode.



Starting Operation in RUN Mode

Use the following procedure to switch the CPM2C to RUN mode.

- 1, 2, 3... 1. Make sure that the SYSMAC-CPT Support Software is online. Select “On-line (Q)” from the menu bar, select “Mode (M),” and then “RUN (R).”



2. A confirmation message will be displayed. Click “OK” to switch to RUN mode.



4-2 SYSMAC Support Software (SSS)

4-2-1 Introduction

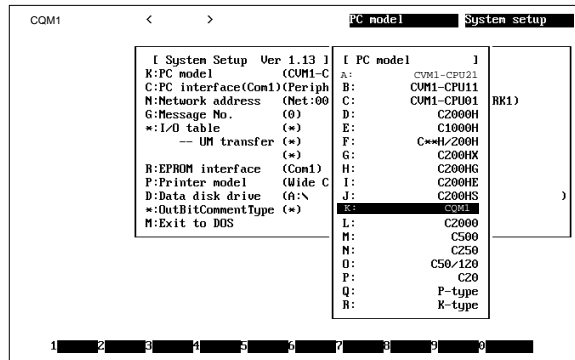
The SSS is a complete programming and control package designed for C-series and CVM1 PCs. It provides not only programming capabilities, but also advanced debugging, monitoring, and program/data management. For further information and actual operating procedures, please refer to the *SYSMAC Support Software Operation Manuals: Basics and C Series*.

CPM2C programming can be performed with any version of the SSS.

Refer to 3-4-10 Programming Device Connections for details on connecting a personal computer to the CPM2C.

4-2-2 Limitations and Precautions

When programming a CPM2C PC with the SSS, set the PC model to “CQM1.” There are some software limitations because of differences between the CPM2C and CQM1 CPUs.



Program Input and Program Check

CQM1 data areas are larger than the corresponding CPM2C data areas, so the data area addresses that don't actually exist in the CPM2C or instructions not supported by the CPM2C can be input and won't be detected in the program check. Be sure that the word and bit addresses are within the specified ranges and that all instructions are supported.

If a program contains a data area address that exceeds the range of a CPM2C data area, a memory error will be generated when the program is executed and the Memory Area Specification Error Flag (AR 1308) will be turned ON.

Data area	CQM1 range	CPM2C range
Input words	IR 000 to IR 011	IR 000 to IR 009
Output words	IR 100 to IR 111	IR 010 to IR 019
Work words	IR 012 to IR 099 IR 112 to IR 227	IR 020 to IR 049/IR 200 to IR 227 (IR 050 to IR 199 cannot be used.)
SR area	SR 228 to SR 255	SR 228 to SR 255
HR area	HR 00 to HR 99	HR 00 to HR 19 (HR 20 to HR 99 cannot be used.)
AR area	AR 00 to AR 27	AR 00 to AR 23 (AR 24 to AR 27 cannot be used.)
LR area	LR 00 to LR 63	LR 00 to LR 15 (LR 16 to LR 63 cannot be used.)
Timer/Counter area	TIM/CNT 000 to 511	TIM/CNT 000 to 255 (TIM/CNT 256 to 511 cannot be used.)
DM area	Read/write	DM 0000 to DM 6143 DM 2022 to DM 2047 (DM 2048 to DM 6143 cannot be used.)
	Read-only	DM 6144 to DM 6568 DM 6144 to DM 6599
	Error Log	DM 6569 to DM 6599 DM 2000 to DM 2021
	PC Setup	DM 6600 to DM 6655 DM 6600 to DM 6655

Since the PC model is set to “CQM1,” a program that will run properly in the CQM1 will pass the program check even if it won't run properly in the CPM2C.

Monitoring, Online Editing, and Set Values

An error message will be displayed and the values will not be accepted if a data area address that exceeds the range of a CPM2C data area is entered for monitoring, time charts, an instruction operand, or a timer/counter SV.

Transferring and Verifying DM Area Data

DM Area addresses not supported by the CPM2C cannot be transferred or monitored. DM 1024 to DM 6143 are not checked for DM Area verification.

Available Program Memory

Since the program capacity of the CQM1 (7,200 words) is greater than that of the CPM2C (4,096 words), the display will show more free space than is actually available. Be sure to keep the actual program capacity in mind while programming.

Program Transfer

When the program is transferred from the PC to the SSS with the default function code assignments, FUN18, FUN19, FUN87, and FUN88 will be displayed as TKY, MCMP, DSW, and 7SEG. The instructions, however, will be transferred correctly.

“???” will be displayed if any instructions not supported by the SSS are transferred from the CPM2C. Mnemonics will be displayed, however, if any have been defined for the specified function code.

When the program is transferred from the SSS to the PC, TKY, MCMP, DSW, and 7SEG will be displayed on the SSS, but will not be executed in the CPU Unit. They will be treated as NOP.

If expansion instructions are transferred to the PC with DM 6602 is set to the “default settings,” a message saying that expansion instructions cannot be written because DIP switch pin 4 is OFF will be displayed. Change the setting of DM 6602 to enable user settings to use expansion instructions. If instructions not supported by the CPM2C are transferred to the PC, a message saying to set expansion instructions will be displayed, and transfer will not be possible.

Expansion Instructions

It will not be possible to transfer the program if the function codes assigned to expansion instructions have been changed from their default settings. A message to turn ON the DIP switch of the PC and execute again will be displayed. Change the function code assignments to the CQM1 defaults shown in the following table before programming.

Function code	Default CPM2C Assignments	Default CQM1 Assignments
17	ASFT	ASFT
18	---	TKY
19	---	MCMP
47	RXD	RXD
48	TXD	TXD
60	CMPL	CMPL
61	INI	INI
62	PRV	PRV
63	CTBL	CTBL
64	SPED	SPED
65	PULS	PULS
66	SCL	SCL
67	BCNT	BCNT
68	BCMP	BCMP
69	STIM	STIM
87	---	DSW
88	---	7SEG
89	INT	INT

If a CQM1 instruction that is not supported by the CPM2C is used in the program, an error will occur when the program is transferred from the computer to the PC. There are four CPM2C instructions (STUP(—), SYNC(—), TIML(—), and TMHH(—)) that are not supported by the CQM1. These instructions can be used by transferring the expansion instructions from the CPM2C to the SSS. This procedure is outlined in the following.

- 1, 2, 3... 1. Select "Transfer Instr" from the "Utility" menu.
2. Confirm the transfer by pressing "Y" when the confirmation pop-up is displayed.



3. The "Utility" menu will be displayed again when the transfer is completed.

PC Setup

Since some of the CPM2C's PC Setup settings are different from those in the CQM1, not all settings can be made from the menus. These settings have to be made by writing data directly to the word containing the setting.

4-3 Using a Programming Console

This section provides information on connecting and using a Programming Console. Refer to 5-3 *Programming Console Operation Errors* for details on errors that might occur during Programming Console operations.

4-3-1 Connecting the Programming Console

A Programming Console can be connected to the CPM2C's communications port or the peripheral port on a CPM2C-CN111 Connecting Cable; it cannot be connected to the CPM2C-CN111 Connecting Cable's RS-232C port.

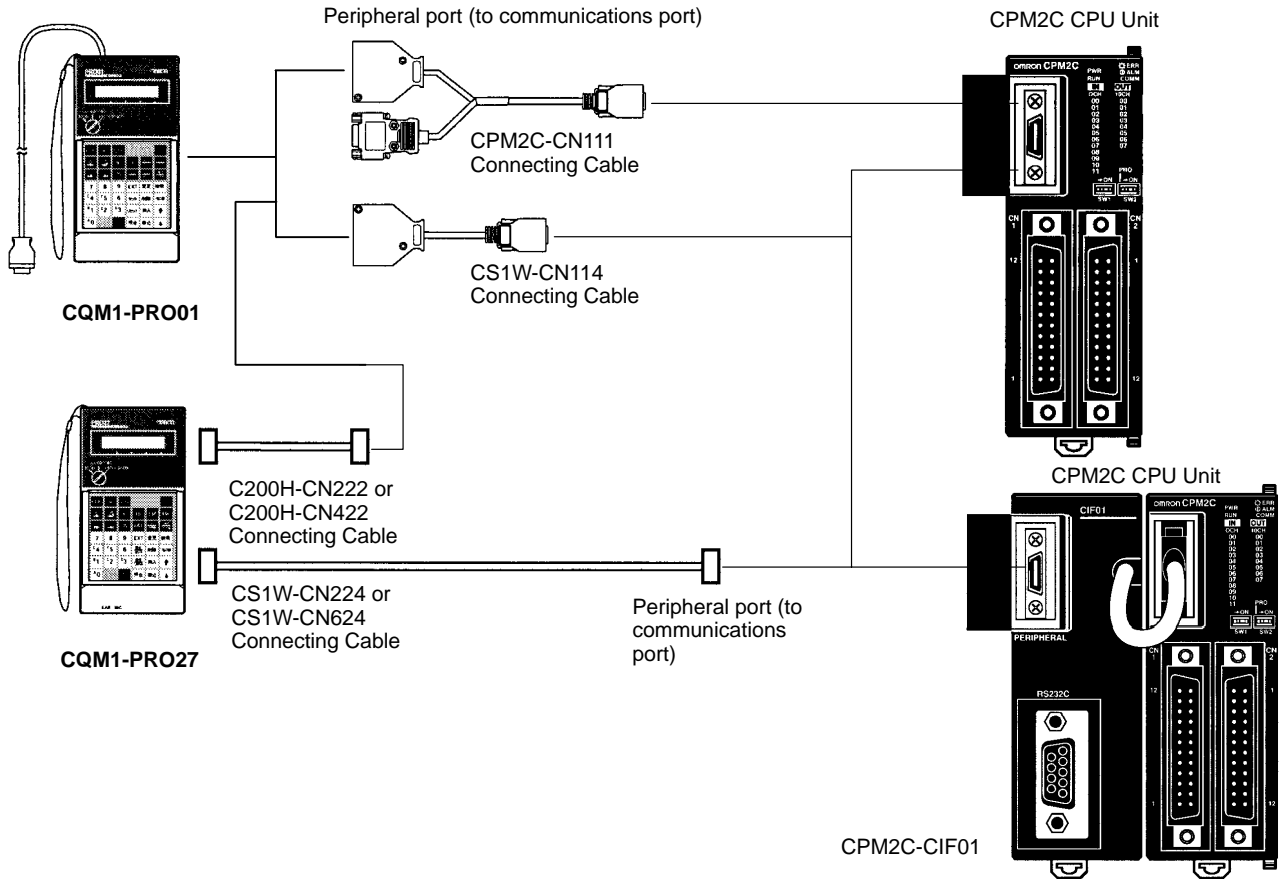
Before connecting the Programming Console, turn OFF Communications Switch 2 on the front of the CPM2C CPU Unit. The green "PRO" indicator on the CPU Unit will light.



Communications Switch 2

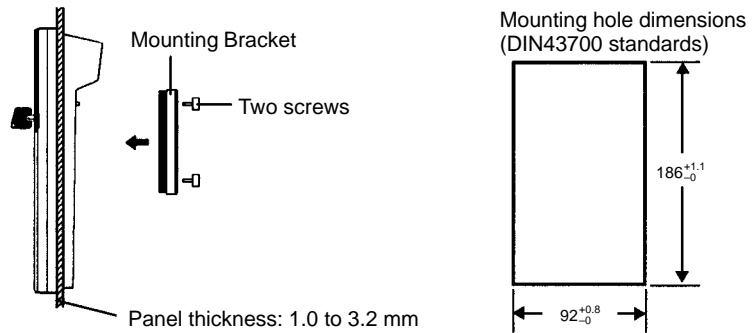
- Note**
1. When Communications Switch 2 is OFF, the Programming Console functions of an OMRON PT connected to the RS-232C port cannot be used. Turn ON Communications Switch 2 to use the PT's Programming Console functions.
 2. Do not change the setting of Communications Switch 2 if a Programming Console or other device such as a CPM1-CIF01/11 or CQM1-CIF01/02 is connected. Changing the setting will interrupt communications and cause a communications error. If a Programming Console is connected, it will become unresponsive, key inputs won't be received, and the display will not change.
 3. If the Programming Console's cable is disconnected and then reconnected within 2 seconds, it won't be necessary to reenter the password and the previous display status will remain. In some cases, it won't be necessary to reenter the password if the Programming Console's cable is disconnected while a time-consuming operation (such as a program check) is being performed.

Connect the Programming Console to the CPM2C as shown below.

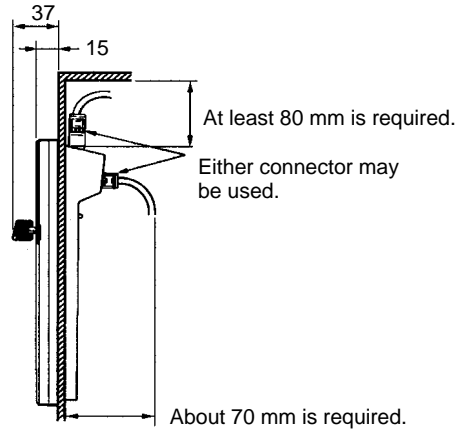


Panel Installation

The C200H-PRO27-E Programming Console can be installed in a control panel as shown in the following diagram. (The C200H-ATT01 Mounting Bracket is sold separately.)



Allow at least 80 mm for the cable connector above the Programming Console.

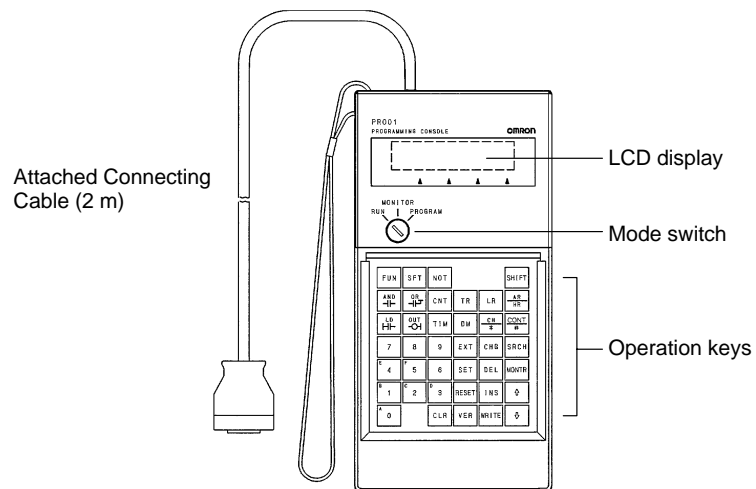


4-3-2 Compatible Programming Consoles

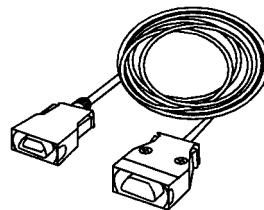
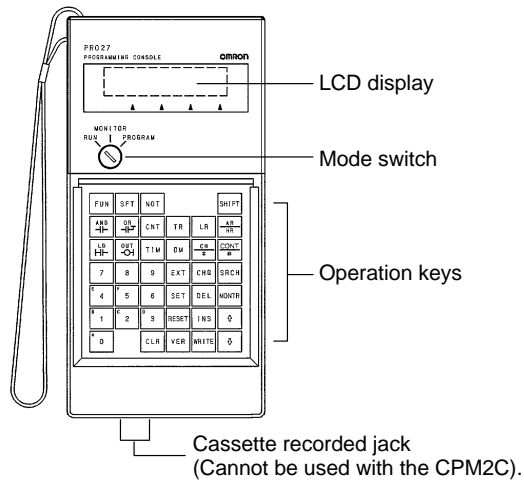
There are two Programming Consoles that can be used with the CPM2C: The CQM1-PRO01-E and the C200H-PRO27-E. The key functions for these Programming Consoles are identical.

Press and hold the Shift Key to input a letter shown in the upper-left corner of the key or the upper function of a key that has two functions. For example, the CQM1-PRO01-E's AR/HR Key can specify either the AR or HR Area; press and release the Shift Key and then press the AR/HR Key to specify the AR Area.

CQM1-PRO01-E



C200H-PRO27-E



Connecting Cables
 C200H-CN222 (2 m)
 C200H-CN422 (4 m)

Different Keys

The following keys are labeled differently on the CQM1-PRO01-E and the C200H-PRO27-E, but the operation of the keys in each pair is identical.

CQM1-PRO01-E Keys	C200H-PRO27-E Keys
AR HR	HR
SET	PLAY SET
RESET	REC RESET

Note To specify the AR area, use SHIFT and HR Keys for the C200H-PRO27-E and use SHIFT and AR/HR Keys for the CQM1-PRO01-E.

A shift symbol will be displayed in the upper-right corner of the screen when the Shift Key is pressed. The shift input can be cleared by pressing the Shift Key again.

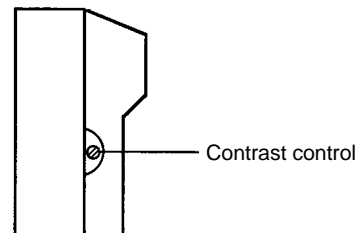


Mode Switch

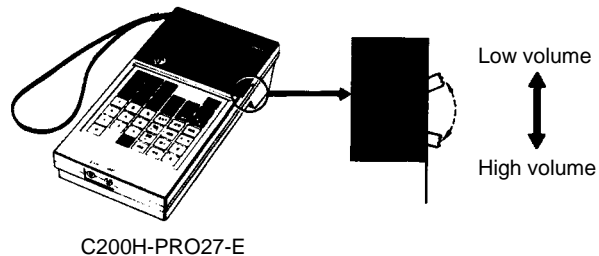
The mode switch controls the CPM2C's operating mode. The key can be removed when the switch is set to RUN or MONITOR but it cannot be removed when the switch is set to PROGRAM.

Contrast Control

The display contrast can be adjusted with the control on the right side of the Programming Console.

**Buzzer Volume**

The C200H-PRO27-E's buzzer volume can be adjusted with the lever on the right side of the Programming Console. The CQM1-PRO01-E's buzzer volume cannot be adjusted.



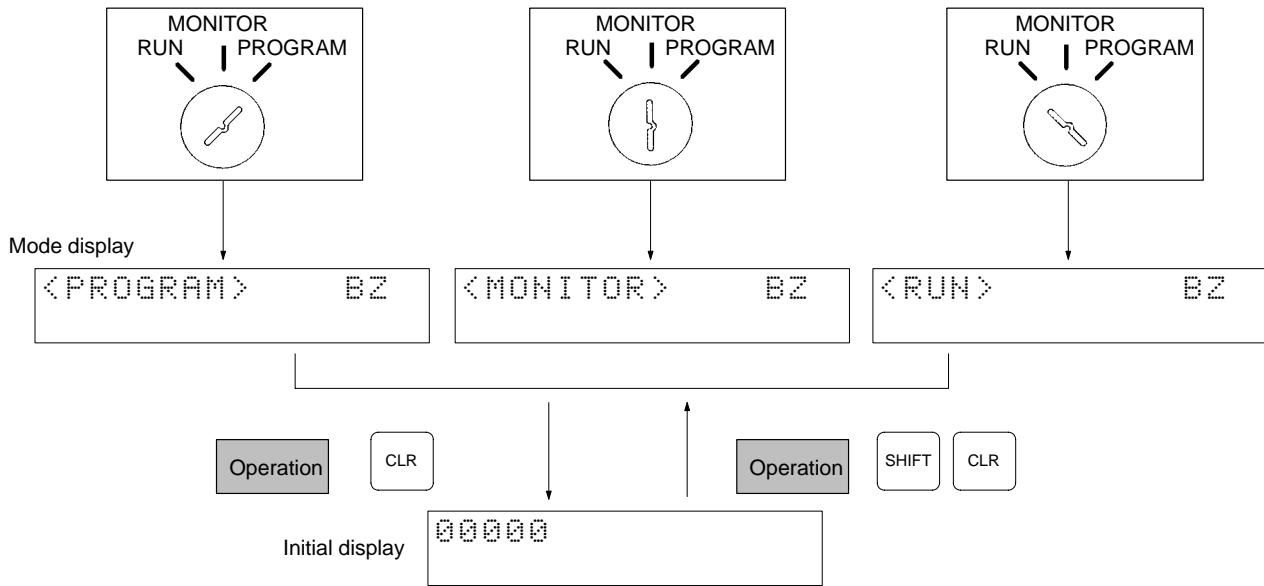
Note The buzzer volume can be turned on and off with a key operation. See 4-4-4 *Buzzer Operation* for details.

4-3-3 Changing the CPM2C's Mode with the Mode Switch

Once the Programming Console has been connected, its mode switch can be used to change the CPM2C's operating mode. The mode display (<PROGRAM>, <MONITOR>, or <RUN>) will appear on the Programming Console screen.

- No key operations can be performed while the mode display is displayed on the Programming Console screen. Press CLR to clear the display so that key operations can be performed.
- If the SHIFT Key is pressed while the mode switch is turned, the original display will remain on the Programming Console's screen and the mode display won't appear.

- The CPM2C will enter RUN mode automatically if a Programming Console isn't connected when the CPM2C is turned on.



Operating Modes

PROGRAM Mode

The CPM2C program isn't executed in PROGRAM mode. Use PROGRAM mode to create and edit the program, clear memory, or check the program for errors.

MONITOR Mode

The CPM2C program is executed in MONITOR mode and I/O is processed just as it is in RUN mode. Use MONITOR mode to test system operations, such as monitoring CPM2C operating status, force-setting and resetting I/O bits, changing the SV/PV of timers and counters, changing word data, and online editing.

RUN Mode

This is the CPM2C's normal operating mode. The CPM2C's operating status can be monitored from a Programming Device, but bits can't be force-set/force-reset and the SV/PV of timers and counters can't be changed.

! Caution Check the system thoroughly before changing the operating mode of the PC to prevent any accidents that might occur when the program is first started.

! Caution Never change the mode while pressing any of the keys.

Startup Operating Mode

The operating mode of the CPM2C when the power is turned ON depends upon the PC Setup setting in DM 6600 and the Programming Console's mode switch setting if the Programming Console is connected.

PC Setup setting (DM 6600)	Programming Console connected	Programming Console not connected
0000	The startup mode determined by the mode switch setting.	RUN mode if no Programming Device is connected. PROGRAM mode if another Programming Device is connected.
0100	The startup mode is the same as the operating mode before power was interrupted.	
0200	PROGRAM mode	
0201	MONITOR mode	
0202	RUN mode	

Note The default setting is 0000. If a Programming Console is not connected, the PC will automatically enter RUN mode. Be sure that it is safe for the PC to operate before turning on the PC without a Programming Console connected.

4-3-4 Preparation for Operation

This section describes the procedures required to begin Programming Console operation when using the Programming Console for the first time.

**Caution**

Always confirm that the Programming Console is in PROGRAM mode when turning ON the PC with a Programming Console connected unless another mode is desired for a specific purpose. If the Programming Console is in RUN mode when PC power is turned ON, any program in Program Memory will be executed, possibly causing a PC-controlled system to begin operation.

The following sequence of operations must be performed before beginning initial program input.

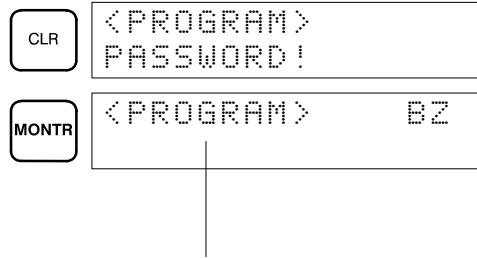
- 1, 2, 3...**
1. Be sure that the PC is OFF.
 2. Connect the Programming Console to the CPU Unit's communications port (peripheral port). See *4-3-1 Connecting the Programming Console* for details.
(The CPU Unit's Communications Switch setting has no effect on communications with the Programming Console.)
 3. Set the mode switch to PROGRAM mode.
 4. Turn ON the PC.
 5. Enter the password. See *4-3-5 Entering the Password* for details.
 6. Clear (All Clear) the PC's memory. See *4-4-2 Clearing Memory* for details.
 7. Read and clear all errors and messages. See *4-4-3 Reading/Clearing Error Messages* for details.
 8. Start programming.

4-3-5 Entering the Password

To gain access to the PC's programming functions, you must first enter the password. The password prevents unauthorized access to the program.

The PC prompts you for a password when PC power is turned on or, if PC power is already on, after the Programming Console has been connected to the PC. To gain access to the system when the "Password!" message appears, press CLR and then MONTR. Then press CLR to clear the display.

If the Programming Console is connected to the PC when PC power is already on, the first display below will indicate the mode the PC was in before the Programming Console was connected. **Ensure that the PC is in PROGRAM mode before you enter the password.** When the password is entered, the PC will shift to the mode set on the mode switch, causing PC operation to begin if the mode is set to RUN or MONITOR with the mode switch after entering the password.



Indicates the mode set by the mode selector switch.

4-4 Programming Console Operations

4-4-1 Overview

The following table lists the programming and monitoring operations that can be performed from a Programming Console. Refer to the rest of this section for details on operational procedures.

Name	Function	Page
Clearing memory	Clears all or part of the Program Memory and any data areas that are not read-only, as well as the contents of the Programming Console's memory.	123
Reading/clearing error messages	Displays and clears error messages and displays MESSAGE instruction messages.	124
Buzzer operation	Turns on and off the buzzer that sounds when Programming Console keys are pressed.	124
Assigning expansion instruction function codes	Reads or changes the function codes assigned to expansion instructions	125
Setting a program memory address	Sets the specified program memory address when reading, writing, inserting and deleting programs.	126
Reading a program memory address	Reads the contents of the Program Memory. Displays the status of the currently displayed bit in PROGRAM and MONITOR modes.	126
Instruction search	Finds occurrences of the specified instruction in the program.	129
Bit operand search	Finds occurrences of the specified operand bit in the program.	130
Inserting and deleting instructions	Inserts or deletes instructions from the program.	131
Entering or editing programs	Overwrites the contents of the current Program Memory to either input a program for the first time or to change a program that already exists.	126
Checking the program	Checks for programming errors and displays the program address and error when errors are found.	132
Bit, digit, word monitor	Monitors the status of up to 16 bits and words, although only 3 can be shown on the display at one time.	132
Multiple address monitor	Monitors the status of up to 6 bits and words simultaneously.	134
Differentiation monitor	Monitors the up or down differentiation status of a particular bit.	134
Binary monitor	Monitors the ON/OFF status of any word's 16 bits.	135
3-word monitor	Monitors the status of three consecutive words.	136
Signed decimal monitor	Converts the contents of the specified word from signed hexadecimal (two's complement format) to signed decimal for display.	136
Unsigned decimal monitor	Converts hexadecimal data in a word to unsigned decimal for display.	137
3-word data modification	Changes the contents of one or more of the 3 consecutive words displayed in the 3-Word Monitor operation.	137
Changing timer, counter SV 1	Changes the SV of a timer or counter.	138
Changing timer, counter SV 2	Makes fine adjustment changes to the SV of the timer or counter.	139
Hexadecimal, BCD data modification	Changes the BCD or hexadecimal value of a word being monitored.	139
Binary data modification	Changes the status of a word's bits when the word is being monitored.	140
Signed decimal data modification	Changes the decimal value of a word being monitored as signed decimal data, within a range of -32,768 to 32,767. The contents of the specified word are converted automatically to signed hexadecimal (two's complement format.)	140
Unsigned decimal data modification	Changes the decimal value of a word being monitored as unsigned decimal data, within a range of 0 to 65,535. A change into hexadecimal data is made automatically.	141
Force set/reset	Forces bits ON (force set) or OFF (force reset.)	142
Clear force set/reset	Restores the status of all bits which have been force set of reset.	143
Hex-ASCII display change	Converts word data displays back and forth between 4-digit hexadecimal data and ASCII.	143

Name	Function	Page
Displaying the cycle time	Displays the current average cycle time (scan time.)	144
Reading and setting the clock	Reads or sets the internal clock.	144

4-4-2 Clearing Memory

This operation is used to clear all or part of the Program Memory and data areas, as well as the contents of the Programming Console's memory. This operation is possible in PROGRAM mode only.

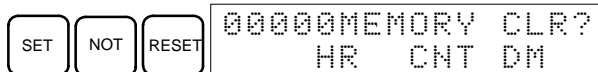
RUN	MONITOR	PROGRAM
No	No	OK

Before beginning to program for the first time or when installing a new program, clear all areas.

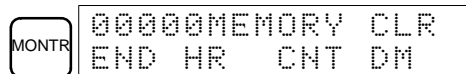
All Clear

The following procedure is used to clear memory completely, including the program, all data areas, counter PVs, Data Memory, and the PC Setup (DM 6600 to DM 6655).

- 1, 2, 3... 1. Bring up the initial display by pressing the CLR Key repeatedly.
2. Press the SET, NOT, and then the RESET Key to begin the operation.



3. Press the MONTR Key to clear memory completely.



Caution The PC Setup (DM 6600 through DM 6655) will be cleared when this operation is performed.

Partial Clear

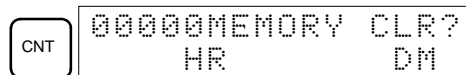
It is possible to retain the data in specified areas or part of the Program Memory. To retain the data in the HR, TC, or DM Areas, press the appropriate key after pressing SET, NOT, and RESET. Any data area that still appears on the display will be cleared when the MONTR Key is pressed.

The HR Key is used to specify both the AR and HR Areas, the CNT Key is used to specify the entire timer/counter area, and the DM Key is used to specify the DM Area.

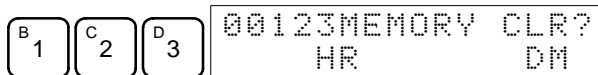
It is also possible to retain a portion of the Program Memory from the first memory address to a specified address. After designating the data areas to be retained, specify the first Program Memory address to be cleared. For example, input 030 to leave addresses 000 to 029 untouched, but to clear addresses from 030 to the end of Program Memory.

As an example, follow the procedure below to retain the timer/counter area and Program Memory addresses 000 through 122:

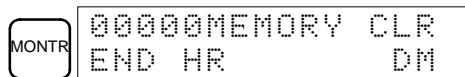
- 1, 2, 3... 1. Press the CLR Key to bring up the initial display.
2. Press the SET, NOT, and then the RESET Key to begin the operation.
3. Press the CNT Key to remove the timer/counter area from the data areas shown on the display. (Counter PVs will not be cleared.)



4. Press 123 to specify 123 as the starting program address.



5. Press the MONTR Key to clear the specified regions of memory.



4-4-3 Reading/Clearing Error Messages

This operation is used to display and clear error messages. It is possible to display and clear non-fatal errors and MESSAGE instruction messages in any mode, but fatal errors can be cleared in PROGRAM mode only.

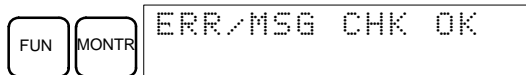
RUN	MONITOR	PROGRAM
OK	OK	OK

Before inputting a new program, any error messages recorded in memory should be cleared. It is assumed here that the causes of any of the errors for which error messages appear have already been taken care of. If the buzzer sounds when an attempt is made to clear an error message, eliminate the cause of the error, and then clear the error message. (Refer to *Section 5 Test Runs and Error Processing* for troubleshooting information.)

Key Sequence

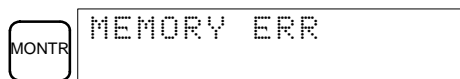
Follow the procedure below to display and clear messages.

- 1, 2, 3... 1. Press the CLR Key to bring up the initial display.
2. Press the FUN and then the MONTR Key to begin the operation. If there are no messages, the following display will appear:

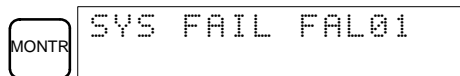


If there are messages, the most serious message will be displayed when the MONTR Key is pressed. Pressing MONTR again will clear the present message and display the next most serious error message. Continue pressing MONTR until all messages have been cleared. These are some examples of error messages:

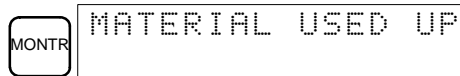
A memory error:



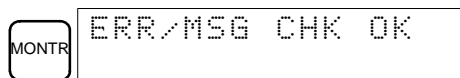
A system error:



A message (displayed with MSG(46)):



All messages cleared:



4-4-4 Buzzer Operation

This operation is used to turn on and off the buzzer that sounds when Programming Console keys are pressed. This buzzer will also sound whenever an error occurs during PC operation. Buzzer operation for errors is not affected by this setting.

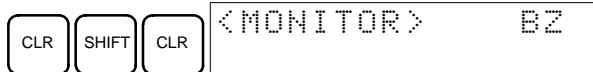
This operation is possible in any mode.

RUN	MONITOR	PROGRAM
OK	OK	OK

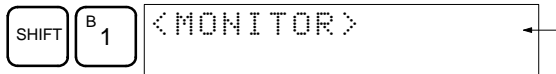
Key Sequence

Follow the procedure below to turn the key-input buzzer on and off.

- 1, 2, 3...** 1. Press the CLR, SHIFT, and then the CLR Key to bring up the mode display. In this case the PC is in PROGRAM mode and the buzzer is ON.

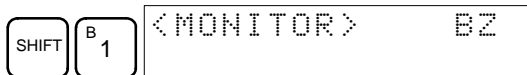


2. Press the SHIFT and then the 1 Key to turn off the buzzer.



The buzzer will not sound when "BZ" is not displayed.

3. Press the SHIFT and then the 1 Key again to turn the buzzer back ON.



4-4-5 Assigning Expansion Instruction Function Codes

This operation is used to display or change the expansion instructions assigned to expansion instruction function codes. The assignments can be displayed in any mode, but can be changed in PROGRAM mode only.

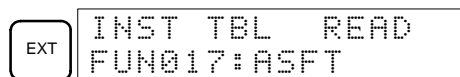
Operation	RUN	MONITOR	PROGRAM
Read assignment	OK	OK	OK
Change assignment	No	No	OK

Assign expansion instruction function codes before inputting the program. The CPM2C will not operate properly if expansion instructions aren't assigned correctly. An expansion instruction can be assigned to one function code only.

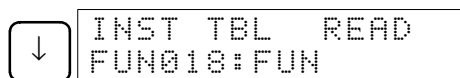
The PC Setup must be set for user-defined expansion instruction assignments. Set bits 8 to 11 of DM 6602 to 1 and turn the PC's power off and then on again to enable the new setting.

There is a table on page 105 showing the default function code assignments in the CPM2C.

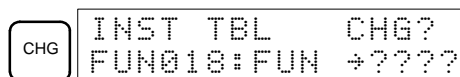
- 1, 2, 3...** 1. Press the CLR Key to bring up the initial display.
2. Press the EXT Key to display the assignment for the first function code (17).



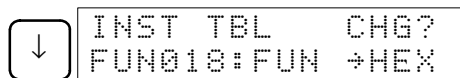
3. Press the Up and Down Arrow Keys to scroll through the expansion instruction function codes.



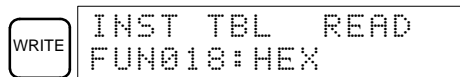
4. Press the CHG Key to assign a different expansion instruction to the selected function code.



5. Press the Up and Down Arrow Keys to scroll through the expansion instructions that can be assigned to the selected function code.



- Press the WRITE Key to assign the displayed instruction to the function code.



4-4-6 Setting and Reading a Program Memory Address and Monitoring I/O Bit Status

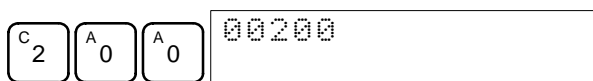
This operation is used to display the specified program memory address and is possible in any mode. In the RUN or MONITOR mode, the I/O bit status of bits in the program will be displayed.

RUN	MONITOR	PROGRAM
OK	OK	OK

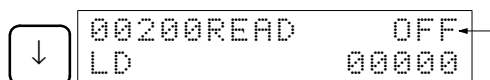
When inputting a program for the first time, it is generally written to Program Memory starting from address 000. Because this address appears when the display is cleared, it is not necessary to specify it.

When inputting a program starting from other than 000 or to read or modify a program that already exists in memory, the desired address must be designated.

- 1, 2, 3... 1. Press the CLR Key to bring up the initial display.
2. Input the desired address. It is not necessary to input leading zeroes.



3. Press the Down Arrow Key.

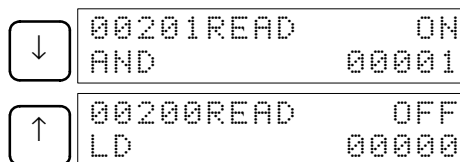


In the RUN or MONITOR mode, ON/OFF status of the bit will be displayed.

Pressing the MONTR Key will change to the I/O monitor display. Bits can be force-set or force-reset from the I/O monitor display. Press the CLR Key to return to I/O bit status monitoring of the initial address.

Note The ON/OFF status of any displayed bit will be shown if the PC is in RUN or MONITOR mode.

4. Press the Up and Down Arrow Keys to scroll through the program.



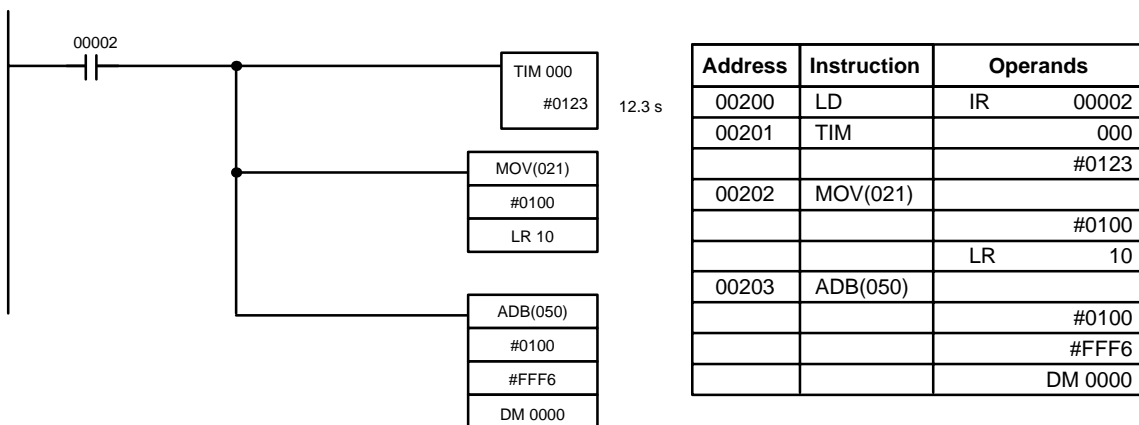
4-4-7 Entering or Editing Programs

This operation is used enter or edit programs. It is possible in PROGRAM mode only.

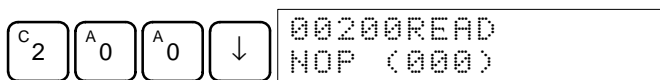
RUN	MONITOR	PROGRAM
No	No	OK

The same procedure is used to either input a program for the first time or to change a program that already exists. In either case, the current contents of Program Memory is overwritten.

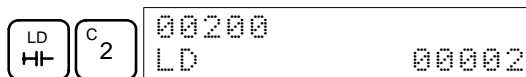
The program shown in the following diagram will be entered to demonstrate this operation.



- 1, 2, 3... 1. Press the CLR Key to bring up the initial display.
 2. Specify the address where the program will begin.
 3. Input the address where the program will begin and press the Down Arrow Key. It is not necessary to input leading zeroes.



4. Input the first instruction and operand.



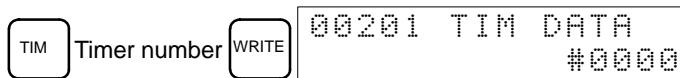
5. Press the WRITE Key to write the instruction to Program Memory. The next program address will be displayed.



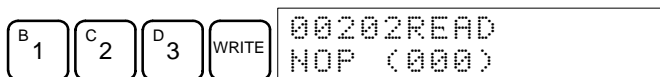
If a mistake was made inputting the instruction, press the Up Arrow Key to return to the previous program address and input the instruction again. The mistaken instruction will be overwritten

To specify the Completion Flag for a timer or counter, press the LD, AND, OR, or NOT Key followed by the TIM or CNT Key, and then input the timer/counter number last.

6. Input the second instruction and operand. (In this case it isn't necessary to enter the timer number, because it's 000.) Press the WRITE Key to write the instruction to Program Memory.



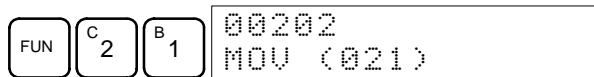
7. Input the second operand (123 to specify 12.3 seconds) and press the WRITE Key. The next program address will be displayed.



If a mistake was made inputting the operand, press the Up Arrow Key to return to display the mistaken operand and input the operand again.

- Note** a) Counters are input in the same basic way as timers except the CNT Key is pressed instead of the TIM Key.
 b) Timer and counter SVs are input in BCD, so it isn't necessary to press the CONT/# Key.

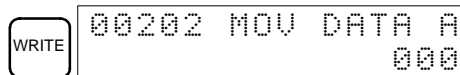
- Input the third instruction and its operands. First input the instruction by pressing the FUN Key and then the function code (21 in this case).



To input the differentiated version of an instruction, press the NOT Key after the function code (FUN 2 1 NOT). The “@” symbol will be displayed next to differentiated instructions. Press the NOT Key again to change back the instruction back to a non-differentiated instruction. The “@” symbol will disappear.

To change an instruction after it has been entered, simply scroll through the program until the desired instruction is displayed and press the NOT Key. The “@” symbol should be displayed next to the instruction.

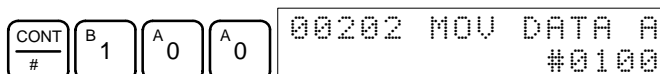
- Press the WRITE Key to write the instruction to Program Memory. The input display for the first operand will be displayed.



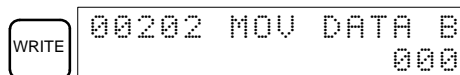
• Writing Hexadecimal, BCD Constant

- Input the first operand.

The operands of MOV (21) are normally word addresses, but a constant can be input by pressing the CONT/# Key first. When the CONT/# Key is pressed, the display will change to “#0000,” indicating that a constant can be entered.



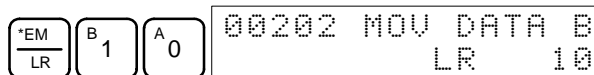
Press the WRITE Key to write the instruction to Program Memory. The input display for the second operand will appear.



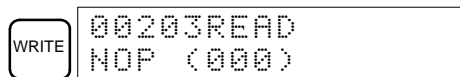
Note The operands of MOV(21) can be word addresses, so the CONT/# Key must be pressed to input a constant.

• Writing a Word Address

- Input the second operand.

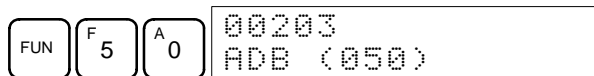


Press the WRITE Key to write the instruction to Program Memory. The next program address will be displayed.

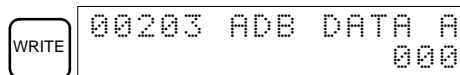


Note When the default display value is “000”, a word address can be input immediately without pressing the Shift and CH/# Keys.

- Input the next instruction.

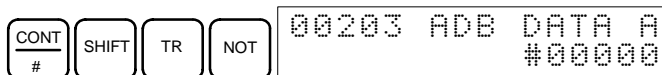


Press the WRITE Key to write the instruction to Program Memory.

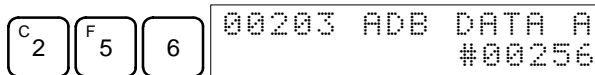


• Writing an Unsigned Decimal Number

13. The first operand is input as an unsigned integer.

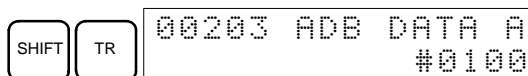


Input the value of the operand from 0 to 65535.

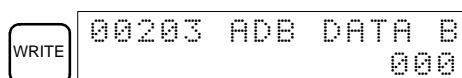


Note If an erroneous input is made, press the CLR Key to restore the status prior to the input. Then enter the correct input.

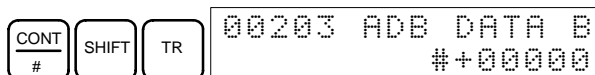
14. Restore the hexadecimal display.



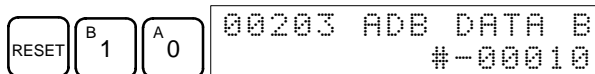
Note If an input is made outside of the permissible range, a buzzer will sound and the hexadecimal display will not be displayed.



15. The second operand is input as a signed integer.

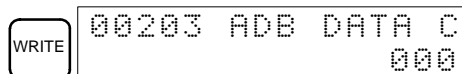
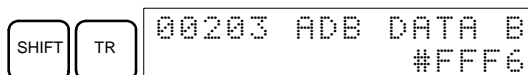


Input the value of the operand from -32,768 to 32,767. Use the SET Key to input a positive number, and use the RESET Key to input a negative number.



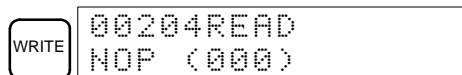
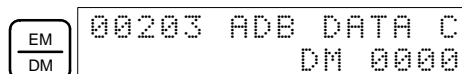
Note If an erroneous input is made, press the CLR Key to restore the status prior to the input. Then enter the correct input.

16. Restore the hexadecimal display.



• **Writing a Word Address (DM 0000)**

17. Input the final operand and then press the WRITE Key. (It isn't necessary to input leading zeroes.)



4-4-8 Instruction Search

This operation is used to find occurrences of the specified instruction in the program and is possible in any mode.

RUN	MONITOR	PROGRAM
OK	OK	OK

The ON/OFF status of any displayed bit will be shown if the PC is in RUN or MONITOR mode.

- 1, 2, 3... 1. Press the CLR Key to bring up the initial display.

- Input the address from which the search will begin and press the Down Arrow Key. It is not necessary to input leading zeroes.

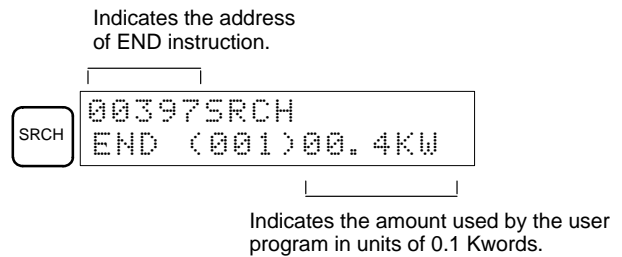


- Input the instruction to be found and press the SRCH Key. In this case, the search is for OUT 01000.

In this case, the next OUT 01000 instruction is at address 200, as shown below.



- Press the Down Arrow Key to display the instruction's operands or press the SRCH Key to search for the next occurrence of the instruction.
- The search will continue until an END instruction or the end of Program Memory is reached. In this case, an END instruction was reached at address 397.



4-4-9 Bit Operand Search

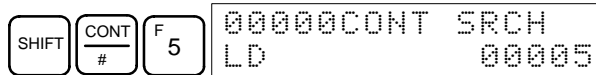
This operation is used to find occurrences of the specified operand bit in the program and is possible in any mode.

RUN	MONITOR	PROGRAM
OK	OK	OK

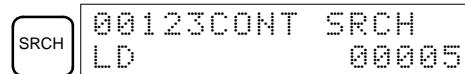
The ON/OFF status of any displayed bit will be shown if the PC is in RUN or MONITOR mode.

1, 2, 3...

- Press the CLR Key to bring up the initial display.
- Input the operand address. It is not necessary to input leading zeroes.



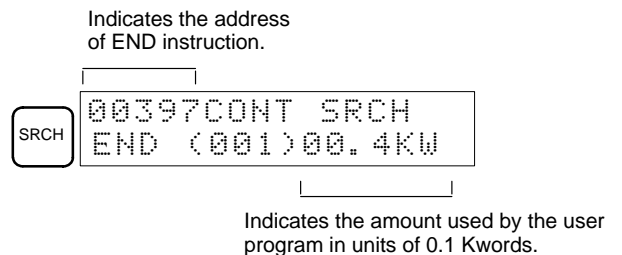
- Press the SRCH Key to begin the search.



- Press the SRCH Key to search for the next occurrence of the operand bit.



- The search will continue until an END instruction or the end of Program Memory is reached. In this case, an END instruction was reached.



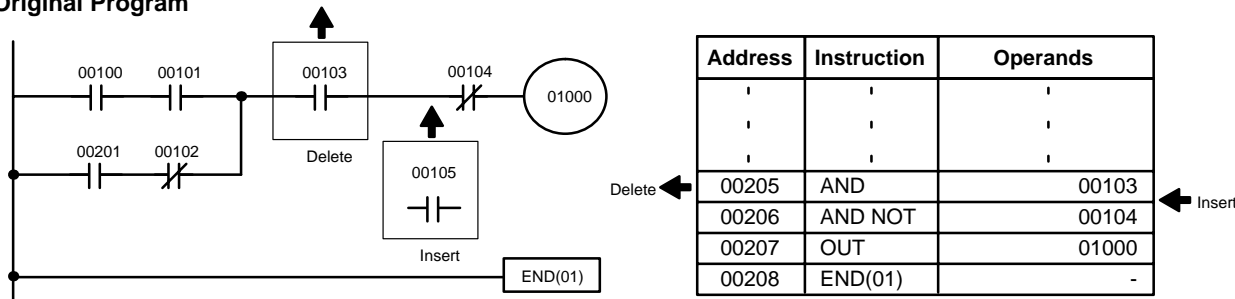
4-4-10 Inserting and Deleting Instructions

This operation is used to insert or delete instructions from the program. It is possible in PROGRAM mode only.

RUN	MONITOR	PROGRAM
No	No	OK

To demonstrate this operation, an IR 00105 NO condition will be inserted at program address 00206 and an IR 00103 NO condition deleted from address 00205, as shown in the following diagram.

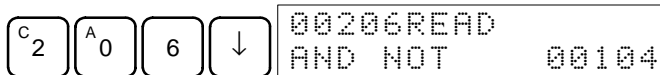
Original Program



Insertion

Follow the procedure below to insert the IR 00105 NO condition at address 00206.

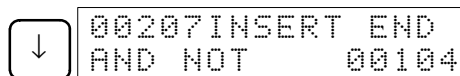
- 1, 2, 3... 1. Press the CLR Key to bring up the initial display.
 2. Input the address where the NO condition will be inserted and press the Down Arrow Key. It is not necessary to input leading zeroes.



3. Input the new instruction and press the INS Key.



4. Press the Down Arrow Key to insert the new instruction.

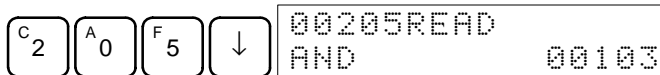


Note For instructions that require more operands (such as set values), input the operands and then press the WRITE Key.

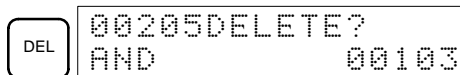
Deletion

Follow the procedure below to delete the IR 00103 NO condition at address 00205.

- 1, 2, 3... 1. Press the CLR Key to bring up the initial display.
 2. Input the address where the NO condition will be deleted and press the Down Arrow Key. It is not necessary to input leading zeroes.

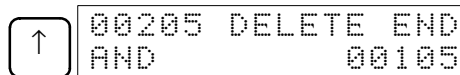


3. Press the DEL Key.



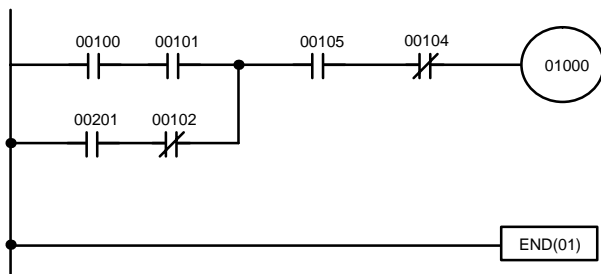
4. Press the Up Arrow Key to delete the specified instruction.

If the instruction has more operands, the operands will be deleted automatically with the instruction.



After completing the insertion and deletion procedures, use the Up and Down Arrow Keys to scroll through the program and verify that it has been changed correctly, as shown in the following diagram.

Corrected Program



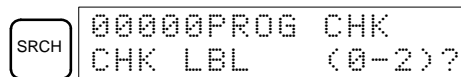
Address	Instruction	Operands
00205	AND	00105
00206	AND NOT	00104
00207	OUT	01000
00208	END(01)	-

4-4-11 Checking the Program

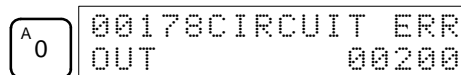
This operation checks for programming errors and displays the program address and error when errors are found. It is possible in PROGRAM mode only.

RUN	MONITOR	PROGRAM
No	No	OK

- 1, 2, 3...
1. Press the CLR Key to bring up the initial display.
 2. Press the SRCH Key. An input prompt will appear requesting the desired check level.

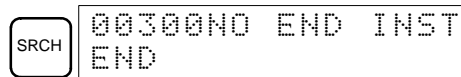


3. Input the desired check level (0, 1, or 2). The program check will begin when the check level is input, and the first error found will be displayed.

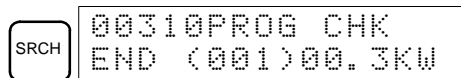


Note Refer to 5-4 Programming Errors for details on check levels and the errors that may be detected when the program is checked.

4. Press the SRCH Key to continue the search. The next error will be displayed. Continue pressing the SRCH Key to continue the search. The search will continue until an END instruction or the end of Program Memory is reached. A display like this will appear if the end of Program Memory is reached:



A display like this will appear if an END instruction is reached:



No more errors exist if the END instruction is displayed.

If errors are displayed, edit the program to correct the errors and check the program again. Continue checking the program by pressing the SRCH Key again until all errors have been corrected.

4-4-12 Bit, Digit, Word Monitor

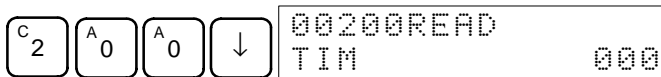
This operation is used to monitor the status of up to 16 bits and words, although only 3 can be shown on the display at any one time. Operation is possible in any mode.

RUN	MONITOR	PROGRAM
OK	OK	OK

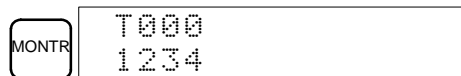
Program Read then Monitor

When a program address is being displayed, the status of the bit or word in that address can be monitored by pressing the MONTR Key.

- 1, 2, 3... 1. Press the CLR Key to bring up the initial display.
 2. Input the desired program address and press the Down Arrow Key.



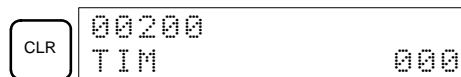
3. Press the MONTR Key to begin monitoring.



If the status of a bit is being monitored, that bit's status can be changed using the Force Set/Reset operation. Refer to 4-4-24 Force Set, Reset for details.

If the status of a word is being monitored, that word's value can be changed using the Hexadecimal/BCD Data Modification operation. Refer to 4-3-19 Hexadecimal, BCD Data Modification, 4-3-20 Binary Data Modification, 4-3-21 Signed Decimal Data Modification, and 4-3-22 Unsigned Decimal Data Modification for details.

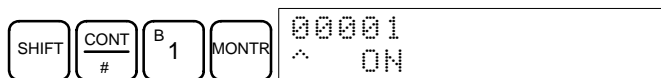
4. Press the CLR Key to end monitoring.



Bit Monitor

Follow the procedure below to monitor the status of a particular bit.

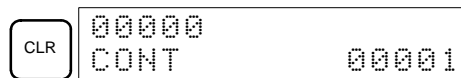
- 1, 2, 3... 1. Press the CLR Key to bring up the initial display.
 2. Input the bit address of the desired bit and press the MONTR Key.



The Up or Down Arrow Key can be pressed to display the status of the previous or next bit.

The displayed bit's status can be changed using the Force Set/Reset operation. Refer to 4-4-24 Force Set, Reset for details.

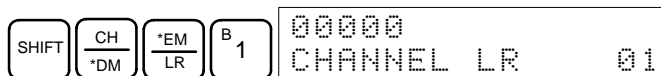
3. Press the CLR Key to end monitoring.



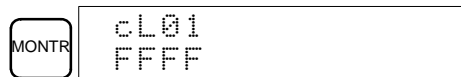
Word Monitor

Follow the procedure below to monitor the status of a particular word.

- 1, 2, 3... 1. Press the CLR Key to bring up the initial display.
 2. Input the word address of the desired word.



3. Press the MONTR Key to begin monitoring.

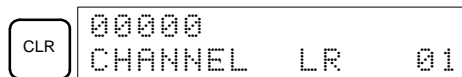


The Up or Down Arrow Key can be pressed to display the status of the previous or next word.

The displayed word's status can be changed using the Hexadecimal/BCD Data Modification operation. Refer to Refer to 4-3-19 Hexadecimal, BCD Data Modification, 4-3-20 Binary Data Modification, 4-3-21 Singed Decimal

Data Modification, and 4-3-22 Unsigned Decimal Data Modification for details.

- Press the CLR Key to end monitoring.



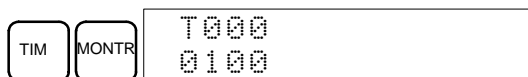
Note The operating mode can be changed without altering the current monitor display by holding down the SHIFT Key and then changing the operating mode.

Multiple Address Monitoring

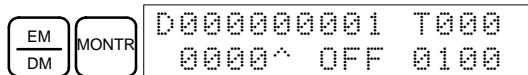
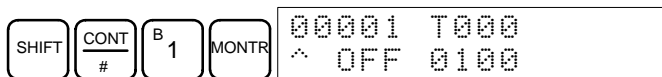
The status of up to six bits and words can be monitored simultaneously, although only three can be shown on the display at any one time.

1, 2, 3...

- Press the CLR Key to bring up the initial display.
- Input the address of the first bit or word and press the MONTR Key.



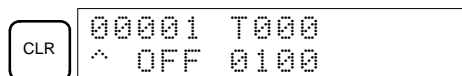
- Repeat step 2 up to 6 times to display the next addresses to be monitored.



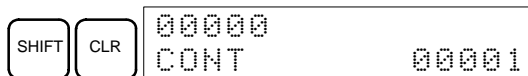
If 4 or more bits and words are being monitored, the bits and words that do not appear on the display can be displayed by pressing the MONTR Key. If the MONTR Key is pressed alone, the display will shift to the right.

If more than six bits and words are input, monitoring of the bit or word input first will be canceled.

- Press the CLR Key to stop monitoring the leftmost bit or word and clear it from the display.



- Press the SHIFT and CLR Keys to end monitoring altogether.



Note Press the SHIFT Key, CLR Key, and then CLR Key again to return to the initial Programming Console display with the multiple address monitoring state unchanged. Press the SHIFT Key and then the MONTR Key from the initial display to return to the multiple address monitoring state. The monitoring states can be retained for 6 bits and words.

The operating mode can be changed without altering the current monitor display by holding down the SHIFT Key and then changing the operating mode.

4-4-13 Differentiation Monitor

This operation is used to monitor the up or down differentiation status of a particular bit. When detected, the up or down differentiation will be displayed and the buzzer will sound. It is possible in any mode.

RUN	MONITOR	PROGRAM
OK	OK	OK

1, 2, 3...

- Monitor the status of the desired bit according to the procedure described in 4-4-12 Bit, Digit, Word Monitor. If 2 or more bits are being monitored, the desired bit should be leftmost on the display.

In this case the differentiation status of LR 00 will be monitored.

```
L0000000001H0000
^ OFF^ OFF^ OFF
```

- To specify up-differentiation monitoring, press the SHIFT and then the Up Arrow Key. The symbols "U@" will appear.

SHIFT ↑

```
L0000000001H0000
U@OFF^ OFF^ OFF
```

Indicates waiting for the bit to turn ON.

To specify down-differentiation monitoring, press the SHIFT and then the Down Arrow Key. The symbols "D@" will appear.

SHIFT ↓

```
L0000000001H0000
D@OFF^ OFF^ OFF
```

- The buzzer will sound when the specified bit goes from off to on (for up-differentiation) or from on to off (for down-differentiation).

```
L0000000001H0000
^ ON^ OFF^ OFF
```

Note The buzzer will not sound if it has been turned off.

- Press the CLR Key to end differentiation monitoring and return to the normal monitoring display.

CLR

```
L0000000001H0000
^ OFF^ OFF^ OFF
```

4-4-14 Binary Monitor

This operation is used to monitor the ON/OFF status of any word's 16 bits. It is possible in any mode.

RUN	MONITOR	PROGRAM
OK	OK	OK

- 1, 2, 3... Monitor the status of the desired word according to the procedure described in 4-4-12 *Bit, Digit, Word Monitor*. The desired word should be leftmost on the display if 2 or more words are being monitored.

```
c010
0000
```

(Word monitor)

- Press the SHIFT and then the MONTR Key to begin binary monitoring. The ON/OFF status of the selected word's 16 bits will be shown along the bottom of the display. A 1 indicates a bit is on, and a 0 indicates it is off.

SHIFT MONTR

```
c010 MONTR
0000000000000000
```

↑ Bit 15 ↑ Bit 00

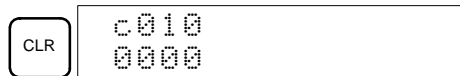
The status of force-set bits is indicated by "S," and the status of a force-reset bits is indicated by "R," as shown below.

```
c010 MONTR
000S0000000R0000
```

↑ Force-set bit ↑ Force-reset bit

Note a) The status of displayed bits can be changed at this point. Refer to 4-4-21 *Binary Data Modification* for details.

- b) The Up or Down Arrow Key can be pressed to display the status of the previous or next word's bits.
- 3. Press the CLR Key to end binary monitoring and return to the normal monitoring display.



4-4-15 Three-Word Monitor

This operation is used to monitor the status of three consecutive words. It is possible in any mode.

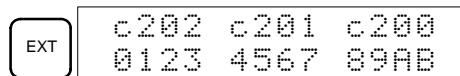
RUN	MONITOR	PROGRAM
OK	OK	OK

- 1, 2, 3...
1. Monitor the status of the first of the three words according to the procedure described in 4-4-12 *Bit, Digit, Word Monitor*.
If 2 or more words are being monitored, the desired first word should be leftmost on the display.



(Word monitor)

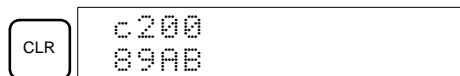
2. Press the EXT Key to begin 3-word monitoring. The status of the selected word and the next two words will be displayed, as shown below. In this case, DM 0000 was selected.



The Up and Down Arrow Keys can be used to shift one address up or down. The status of the displayed words can be changed at this point. Refer to 4-4-18 *Three-word Data Modification*.

The display can be changed to display ASCII text, which is useful when three consecutive words containing an ASCII message are displayed. Refer to 4-4-26 *Hex-ASCII Display Change*.

3. Press the CLR Key to end 3-word monitoring and return to the normal monitoring display. The rightmost word on the 3-word monitor display will be monitored.



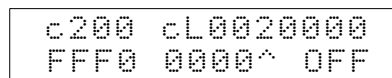
Note The operating mode can be changed without altering the current monitor display by holding down the SHIFT Key and then changing the operating mode.

4-4-16 Signed Decimal Monitor

This operation converts the contents of the specified word from signed hexadecimal (two's complement format) to signed decimal for display. The operation can be executed while using I/O monitoring, multiple address monitoring or 3-word monitoring.

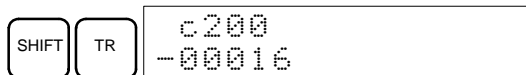
RUN	MONITOR	PROGRAM
OK	OK	OK

- 1, 2, 3...
1. Monitor the word that is to be used for decimal monitor with sign. During multiple address monitoring, the leftmost word will be converted.



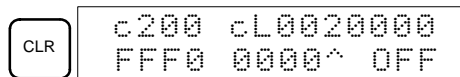
(Multiple address monitor)

2. Press the SHIFT+TR Keys to display the leftmost word as signed decimal.



At this point, the contents of the displayed word can be changed with a signed-decimal input. Refer to 4-4-22 Signed Decimal Data Modification.

3. Press the CLR Key or the SHIFT+TR Keys to end the unsigned decimal display and return to normal monitoring.

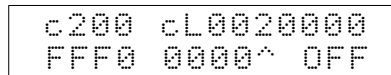


4-4-17 Unsigned Decimal Monitor

This operation is used to convert hexadecimal data in a word to unsigned decimal for display. The operation can be executed while using I/O monitoring, multiple address monitoring or 3-word monitoring.

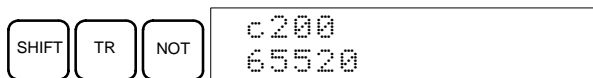
RUN	MONITOR	PROGRAM
OK	OK	OK

- 1, 2, 3... 1. Monitor the word that is to be used for decimal monitor without sign. During multiple address monitoring, the leftmost word will be converted.



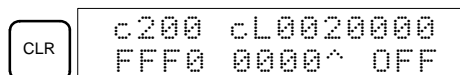
Multiple address monitoring

2. Press the SHIFT+TR+NOT Keys to display the leftmost word as unsigned decimal.



At this point, the contents of the displayed word can be changed with an unsigned-decimal input. Refer to 4-4-23 Unsigned Decimal Data Modification.

3. Press the CLR Key or the SHIFT+TR Keys to end the unsigned decimal display and return to normal monitoring.



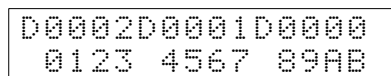
4-4-18 Three-Word Data Modification

This operation is used to change the contents of one or more of the 3 consecutive words displayed in the Three-Word Monitor operation. It is possible in MONITOR or PROGRAM mode only.

RUN	MONITOR	PROGRAM
No	OK	OK

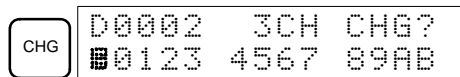
Caution Before changing the contents of I/O memory, be sure that the changes will not cause equipment to operate unexpectedly or dangerously. In particular, take care when changing the status of output bits. The PC continues to refresh I/O bits even if the PC is in PROGRAM mode, so devices connected to output points on the CPU Unit, Expansion Units, or Expansion I/O Units may operate unexpectedly.

- 1, 2, 3... 1. Monitor the status of the desired words according to the procedure described 4-4-15 Three-Word Monitor.

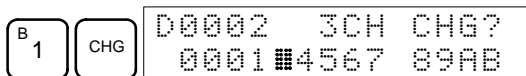


(Three-word monitor)

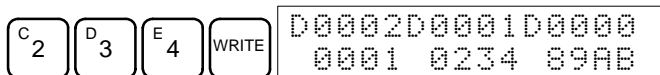
- Press the CHG Key to begin 3-word data modification. The cursor will appear next to the contents of the leftmost word.



- Input the new value for the leftmost word on the display and press the CHG Key if more changes will be made. (Input the new value and press the WRITE Key to write the changes in memory if no more changes will be made.)



- Input the new value for the middle word on the display and press the CHG Key if the rightmost word will be changed. Input the new value and press the WRITE Key to write the changes in memory if the rightmost word will not be changed. (In this case, it will not.)



Note If the CLR Key is pressed before the WRITE Key, the operation will be cancelled and the 3-word monitor display will return without any changes in data memory.

4-4-19 Changing Timer, Counter SV

There are two operations that can be used to change the SV of a timer or counter. They are possible in MONITOR or PROGRAM mode only. In MONITOR mode, the SV can be changed while the program is being executed.

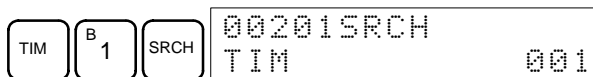
RUN	MONITOR	PROGRAM
No	OK	OK

The timer or counter SV can be changed either by inputting a new value or by incrementing or decrementing the current SV.

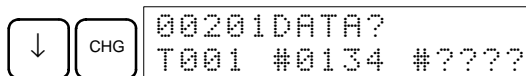
Inputting a New SV Constant

This operation can be used to input a new SV constant, as well as to change an SV from a constant to a word address designation and vice versa. The following examples show how to input a new SV constant and how to change the SV from a constant to an address.

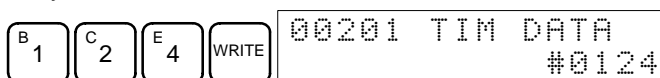
- 1, 2, 3... Press the CLR Key to bring up the initial display.
- Display the desired timer or counter.



- Press the Down Arrow Key and then the CHG Key.



- At this point a new SV constant can be input or the SV constant can be changed to a word address designation
 - To input a new SV constant, input the constant and press the WRITE Key.



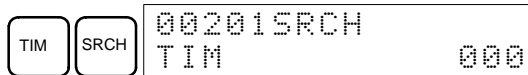
- To change to a word address designation, input the word address and press the WRITE Key.



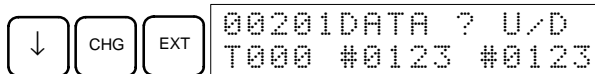
Incrementing and Decrementing a Constant

This operation can be used to increment and decrement an SV constant. It is possible only when the SV has been entered as a constant.

- 1, 2, 3... 1. Press the CLR Key to bring up the initial display.
2. Display the desired timer or counter.

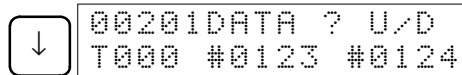


3. Press the Down Arrow, CHG, and then the EXT Key.

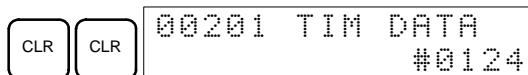


The constant on the left is the old SV and the constant on the right will become the new SV constant in step 5.

4. Press the Up and Down Arrow Keys to increment and decrement the constant on the right. (In this case the SV is incremented once.)



5. Press the CLR Key twice to change the timer's SV to the new value.



4-4-20 Hexadecimal, BCD Data Modification

This operation is used to change the BCD or hexadecimal value of a word being monitored using the procedure described in 4-4-12 Bit, Digit, Word Monitor. It is possible in MONITOR or PROGRAM mode only.

RUN	MONITOR	PROGRAM
No	OK	OK

Words SR 253 to SR 255 cannot be changed.

! Caution

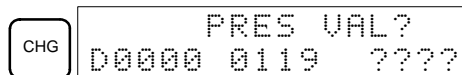
Before changing the contents of I/O memory, be sure that the changes will not cause equipment to operate unexpectedly or dangerously. In particular, take care when changing the status of output bits. The PC continues to refresh I/O bits even if the PC is in PROGRAM mode, so devices connected to output points on the CPU Unit, Expansion Units, or Expansion I/O Units may operate unexpectedly.

- 1, 2, 3... 1. Monitor the status of the desired word according to the procedure described in 4-4-12 Bit, Digit, Word Monitor. If two or more words are being monitored, the desired word should be leftmost on the display.



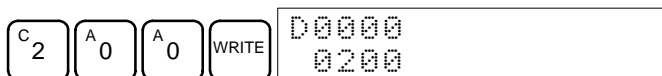
(Word monitor)

2. Press the CHG Key to begin hexadecimal, BCD data modification.



3. Input the new PV and press the WRITE Key to change the PV.

The operation will end and the normal monitoring display will return when the WRITE Key is pressed.



Words SR 253 to SR 255 cannot be changed.

RUN	MONITOR	PROGRAM
No	OK	OK

Caution Before changing the contents of I/O memory, be sure that the changes will not cause equipment to operate unexpectedly or dangerously. In particular, take care when changing the status of output bits. The PC continues to refresh I/O bits even if the PC is in PROGRAM mode, so devices connected to output points on the CPU Unit, Expansion Units, or Expansion I/O Units may operate unexpectedly.

- 1, 2, 3...** 1. Monitor (signed decimal) the status of the word for which the present value is to be changed.

(Signed decimal monitor) D0200
-00016

2. Press the CHG Key to begin decimal data modification.

CHG PRES VAL?
D0200-00016

3. Input the new PV and press the WRITE Key to change the PV. The operation will end and the signed-decimal monitoring display will return when the WRITE Key is pressed.

The PV can be set within a range of -32,768 and 32,767. Use the SET Key to input a positive number, and use the RESET Key to input a negative number.

RESET D 3 C 2 7 6 8 WRITE D0200
-32768

If an erroneous input has been made, press the CLR Key to restore the status prior to the input. Then enter the correct input.

The buzzer will sound if a value outside the specified range is input, allowing no writing.

4-4-23 Unsigned Decimal Data Modification

This operation is used to change the decimal value of a word being monitored as unsigned decimal data, within a range of 0 to 65,535. A change into hexadecimal data is made automatically.

Words SR 253 to SR 255 cannot be changed.

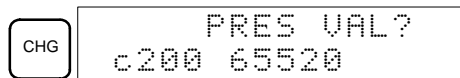
RUN	MONITOR	PROGRAM
No	OK	OK

Caution Before changing the contents of I/O memory, be sure that the changes will not cause equipment to operate unexpectedly or dangerously. In particular, take care when changing the status of output bits. The PC continues to refresh I/O bits even if the PC is in PROGRAM mode, so devices connected to output points on the CPU Unit, Expansion Units, or Expansion I/O Units may operate unexpectedly.

- 1, 2, 3...** 1. Monitor (unsigned decimal) the status of the word for which the present value is to be changed.

(Unsigned decimal monitor) c200
65520

2. Press the CHG Key to begin decimal data modification.



- Input the new PV and press the WRITE Key to change the PV. The operation will end and the decimal-without-sign monitoring display will return when the WRITE Key is pressed.

The PV can be set within a range of 0 to 65,535.



If an erroneous input has been made, press the CLR Key to restore the status prior to the input. Then enter the correct input.

The buzzer will sound if a value outside the specified range is input, allowing no writing.

4-4-24 Force Set, Reset

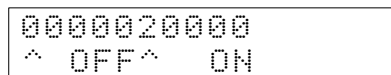
This operation is used to force bits ON (force set) or OFF (force reset) and is useful when debugging the program or checking output wiring. It is possible in MONITOR or PROGRAM mode only.

RUN	MONITOR	PROGRAM
No	OK	OK

Caution

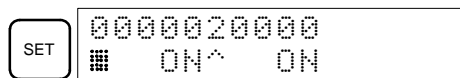
Before changing the contents of I/O memory, be sure that the changes will not cause equipment to operate unexpectedly or dangerously. In particular, take care when changing the status of output bits. The PC continues to refresh I/O bits even if the PC is in PROGRAM mode, so devices connected to output points on the CPU Unit, Expansion Units, or Expansion I/O Units may operate unexpectedly.

- 1, 2, 3... 1. Monitor the status of the desired bit according to the procedure described in 4-4-12 Bit, Digit, Word Monitor. If two or more words are being monitored, the desired bit should be leftmost on the display.



(Multiple address monitor)

2. Press the SET Key to force the bit ON or press the RESET Key to force the bit OFF.



The cursor in the lower left corner of the display indicates that the force set/reset is in progress. Bit status will remain ON or OFF only as long as the key is held down; the original status will return one cycle after the key is released.

3. Press the SHIFT and SET Keys or SHIFT and RESET Keys to maintain the status of the bit after the key is released. In this case, the force-set status is indicated by an "S" and the force-reset status is indicated by an "R."

To return the bit to its original status, press the NOT Key or perform the Clear Force Set/Reset operation. Refer to 4-4-25 Clear Force Set/Reset for details.

Forced status will also be cleared in the following cases:

- When the PC's operating mode is changed (although the forced status will not be cleared when the mode is changed from PROGRAM to MONITOR if SR 25211 is ON)
- When the PC stops because a fatal error occurred

- c) When the PC stops because of a power interruption
- d) When the Clear Force Set/Reset Operation is performed

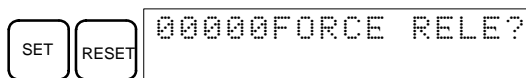
4-4-25 Clear Force Set/Reset

This operation is used to restore the status of all bits which have been force set or reset. It is possible in MONITOR or PROGRAM mode only.

RUN	MONITOR	PROGRAM
No	OK	OK

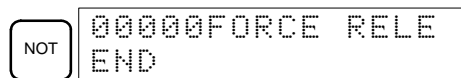
Caution Before changing the contents of I/O memory, be sure that the changes will not cause equipment to operate unexpectedly or dangerously. In particular, take care when changing the status of output bits. The PC continues to refresh I/O bits even if the PC is in PROGRAM mode, so devices connected to output points on the CPU Unit, Expansion Units, or Expansion I/O Units may operate unexpectedly.

- 1, 2, 3...
1. Press the CLR Key to bring up the initial display.
 2. Press the SET and then the RESET Key. A confirmation message will appear.



Note If you mistakenly press the wrong key, press CLR and start again from the beginning.

3. Press the NOT Key to clear the force-set/reset status of bits in all data areas.



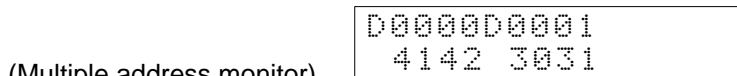
4-4-26 Hex-ASCII Display Change

This operation is used to convert word data displays back and forth between 4-digit hexadecimal data and ASCII. It is possible in any mode.

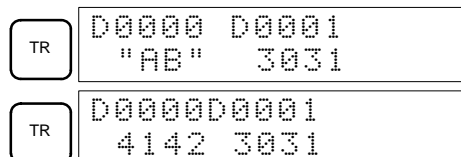
The displayed PV of the timer or counter cannot be changed.

RUN	MONITOR	PROGRAM
OK	OK	OK

- 1, 2, 3...
1. Monitor the status of the desired word(s) according to the procedure described in 4-4-12 Bit, Digit, Word Monitor. While the multiple addresses are being monitored, the leftmost word is subject to change.



2. Press the TR Key to switch to ASCII display. The display will toggle between hexadecimal and ASCII displays each time the TR Key is pressed.



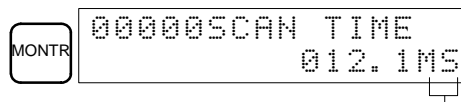
- Note**
1. A message contained in three words can be displayed by using ASCII display in combination with the Three-word monitor operation.
 2. The Hexadecimal, BCD Data Modification Operation can be used while displaying ASCII data. Input values in 4-digit hexadecimal.

4-4-27 Displaying the Cycle Time

This operation is used to display the current average cycle time (scan time). It is possible only in RUN or MONITOR mode while the program is being executed.

RUN	MONITOR	PROGRAM
OK	OK	No

- 1, 2, 3... 1. Press the CLR Key to bring up the initial display.
2. Press the MONTR Key to display the cycle time.



"MS" in the display indicates the unit "ms" for the cycle time.

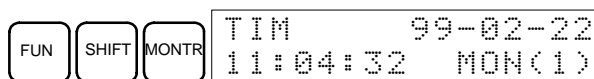
There might be differences in displayed values when the MONTR Key is pressed repeatedly. These differences are caused by changing execution conditions.

4-4-28 Reading and Setting the Clock

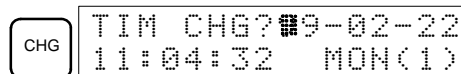
This operation is used to read or set the CPU's clock. The clock can be read in any mode, but can be set in MONITOR or PROGRAM mode only.

Operation	RUN	MONITOR	PROGRAM
Read clock	OK	OK	OK
Set clock	No	OK	OK

- 1, 2, 3... 1. Press the CLR Key to bring up the initial display.
2. Press the FUN Key, SHIFT Key, and then the MONTR Key to display the date and time.



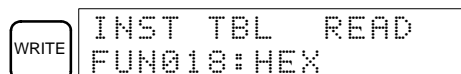
3. Press the CHG Key to change the date and/or time.



The digit that can be changed will flash. If necessary, input a new value with the Up and Down Arrow Keys or Numeric Keys. Press the CHG Key to move the cursor to the next digit. The following table shows the setting ranges for each value.

Year	Month	Day	Hour	Minute	Second	Day-of-week
00 to 99	01 to 12	01 to 31	00 to 23	00 to 59	00 to 59	0 to 6 (SUN to SAT)

4. Press the WRITE Key to write the new value.



Press the CLR Key to return to the initial display.

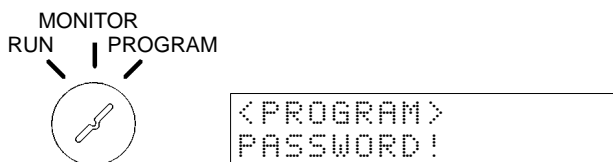
4-5 Programming Example

This section demonstrates all of the steps needed to write a program with the Programming Console.

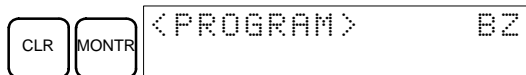
4-5-1 Preparatory Operations

Use the following procedure when writing a program to the CPM2C for the first time.

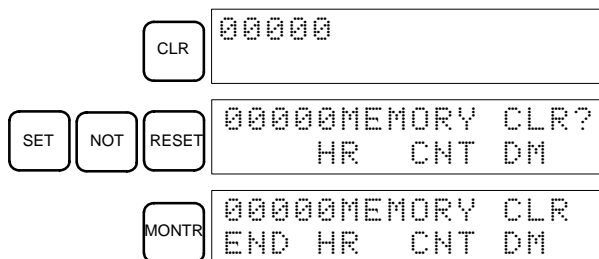
- 1, 2, 3... 1. Set the Programming Console's mode switch to PROGRAM mode and turn on the CPM2C's power supply. The password input display will appear on the Programming Console.



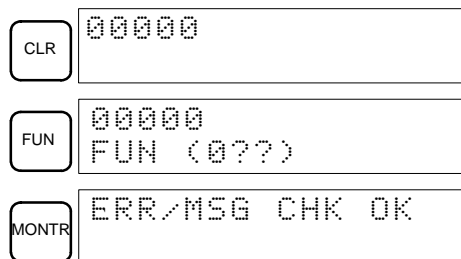
2. Enter the password by pressing the CLR and then the MONTR Key.



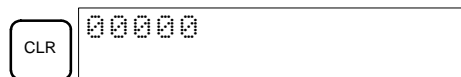
3. Clear the CPM2C's memory by pressing the CLR, SET, NOT, RESET, and then the MONTR Key. Press the CLR Key several times if memory errors are displayed.



4. Display and clear error messages by pressing the CLR, FUN, and then the MONTR Key. Continue pressing the MONTR Key until all error messages have been cleared.



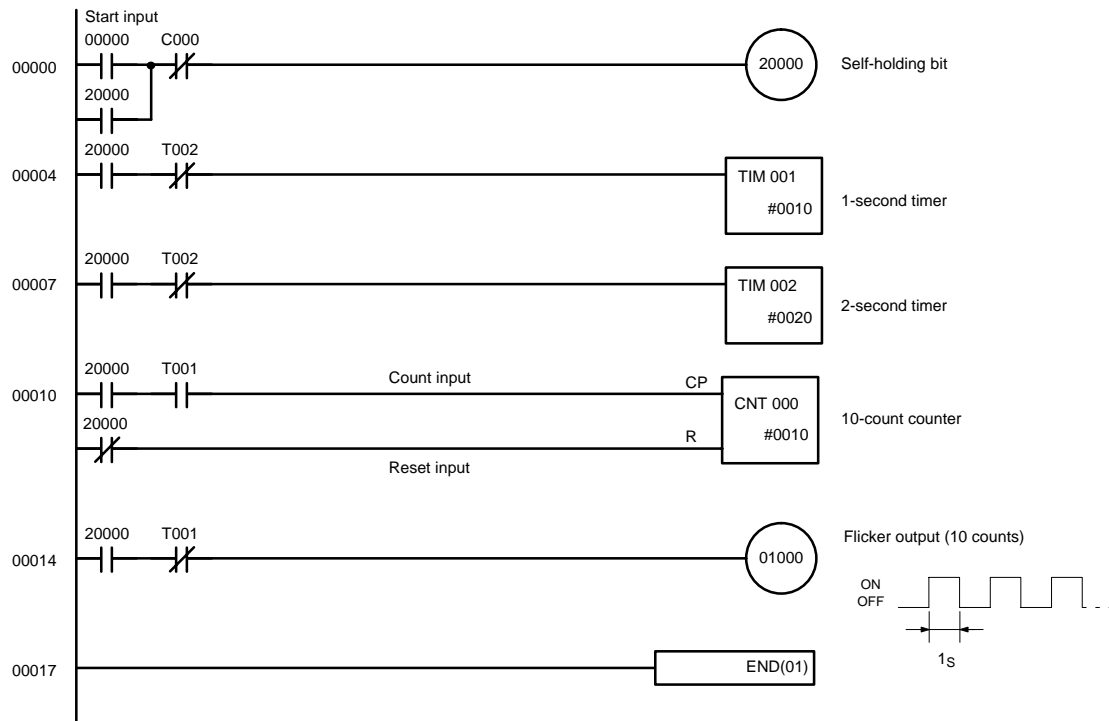
5. Press the CLR Key to bring up the initial programming display (program address 00000). The new program can be written at this point.



Caution Check the system thoroughly before starting or stopping the CPM2C to prevent any accidents that might occur when the program is first started.

4-5-2 Example Program

The following ladder program will be used to demonstrate how to write a program with the Programming Console. This program makes output IR 01000 flicker ON/OFF (one second ON, one second OFF) ten times after input IR 00000 is turned ON.



The mnemonic list for the example program is shown in the following table. The steps required to enter this program from a Programming Console are described in 4-5-3 Programming Procedures.

Address	Instruction	Data	Programming example procedures in 4-5-3 Programming Procedures
00000	LD	00000	(1) Self-holding bit
00001	OR	20000	
00002	AND NOT	C 000	
00003	OUT	20000	
00004	LD	20000	(2) 1-second timer
00005	AND NOT	T 002	
00006	TIM	001	
		# 0010	
00007	LD	20000	(3) 2-second timer
00008	AND NOT	T 002	
00009	TIM	002	
		# 0020	
00010	LD	20000	(4) 10-count counter
00011	AND	T 001	
00012	LD NOT	20000	
00013	CNT	000	
		# 0010	
00014	LD	20000	(5) Flicker output (10 counts)
00015	AND NOT	T 001	
00016	OUT	01000	
00017	END (01)	---	(6) END(01) instruction

4-5-3 Programming Procedures

The example program will be written to the CPM2C according to the mnemonic list in 4-5-2 Example Program. The procedure is performed beginning with the initial display. (Clear the memory before entering a new program.)

Note If an error occurs while inputting the program, refer to 5-3 Programming Console Operation Errors for details on correcting the error. Refer to the relevant Support Software Operation Manual for details on errors that appear when operating the SSS or SYSMAC-CPT Support Software.

(1) Inputting the Self-holding Bit

- 1, 2, 3... 1. Input the normally open condition IR 00000.
(It isn't necessary to input leading zeroes.)

LD H	00000 LD	00000
WRITE	00001READ NOP (000)	

2. Input the OR condition IR 20000.

OR H	C 2	A 0	A 0	A 0	A 0	00001 OR	20000
WRITE	00002READ NOP (000)						

3. Input the normally closed AND condition C000.
(It isn't necessary to input leading zeroes.)

AND H	NOT	CNT	00002 AND NOT CNT	000
WRITE	00003READ NOP (000)			

4. Input the OUT instruction IR 20000.

OUT	C 2	A 0	A 0	A 0	A 0	00003 OUT	20000
WRITE	00004READ NOP (000)						

(2) Inputting the One-second Timer

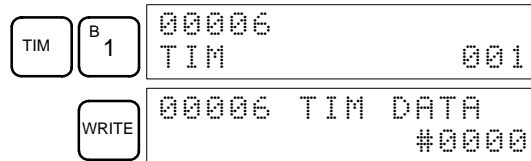
- 1, 2, 3... 1. Input the normally open condition IR 20000.

LD H	C 2	A 0	A 0	A 0	A 0	00004 LD	20000
WRITE	00005READ NOP (000)						

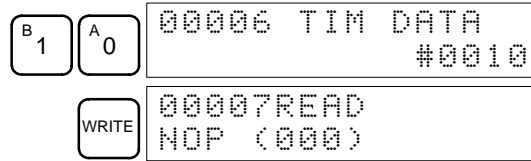
2. Input the normally closed AND condition T002.
(It isn't necessary to input leading zeroes.)

AND H	NOT	TIM	C 2	00005 AND NOT TIM	002
WRITE	00006READ NOP (000)				

3. Input the 1-second timer T001.



4. Input the SV for T001 (#0010 = 1.0 s).

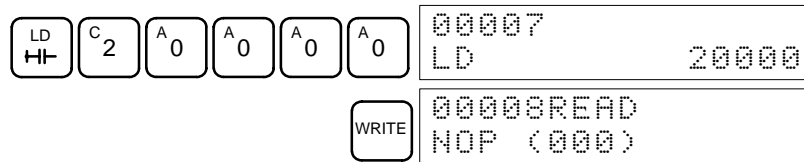


(3) Inputting the Two-second Timer

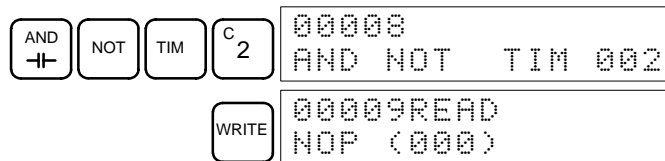
The following key operations are used to input the 2-second timer.

1, 2, 3...

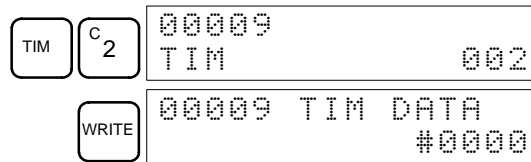
1. Input the normally open condition IR 20000.



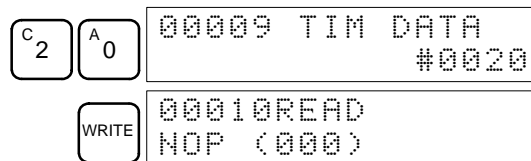
2. Input the normally closed AND condition T002.
(It isn't necessary to input leading zeroes.)



3. Input the 2-second timer T002.



4. Input the SV for T002 (#0020 = 2.0 s).

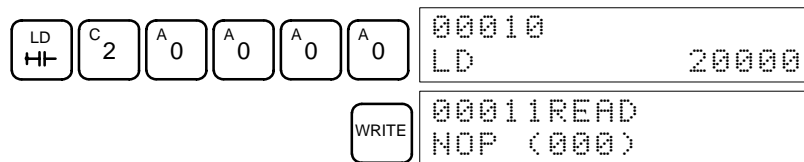


(4) Inputting the 10-count Counter

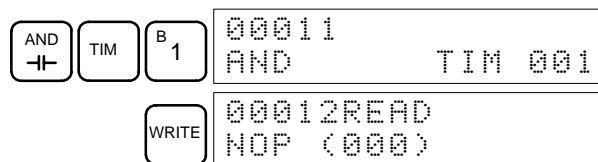
The following key operations are used to input the 10-count counter.

1, 2, 3...

1. Input the normally open condition IR 20000.



2. Input the normally open AND condition T001.
(It isn't necessary to input leading zeroes.)



3. Input the normally closed condition IR 20000.

LD		NOT	C 2	A 0	A 0	A 0	A 0	00012	LD NOT	20000
WRITE										
00013READ										
NOP (000)										

4. Input the counter 000.

CNT	A 0	00013	CNT	000
WRITE				
00013 CNT DATA				
#0000				

5. Input the SV for counter 000 (#0010 = 10 counts).

B 1	A 0	00013 CNT DATA	#0010
WRITE			
00014READ			
NOP (000)			

(5) Inputting the Flicker Output

1, 2, 3... 1. Input the normally open condition IR 20000.

LD		C 2	A 0	A 0	A 0	A 0	000014	LD	20000	
WRITE										
00015READ										
NOP (000)										

2. Input the normally closed AND condition T001.
(It isn't necessary to input leading zeroes.)

AND		NOT	TIM	B 1	00015	AND NOT TIM 001
WRITE						
00016READ						
NOP (000)						

3. Input the OUT instruction IR 01000.
(It isn't necessary to input leading zeroes.)

OUT	B 1	A 0	A 0	A 0	00016	OUT	01000
WRITE							
00017READ							
NOP (000)							

(6) Inputting the END(001) Instruction

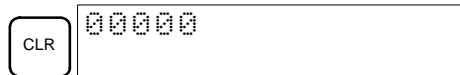
Input END(01). (The display shows three digits in the function code, but only the last two digits are input for CPM2C PCs.)

FUN	00017	FUN (0??)	
WRITE			
A 0	B 1	00017	END (001)
WRITE			
00018READ			
NOP (000)			

4-5-4 Checking the Program

Check the program syntax in PROGRAM mode to make sure that the program has been input correctly.

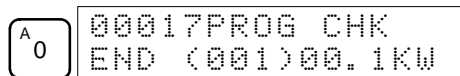
- 1, 2, 3... 1. Press the CLR Key to bring up the initial display.



2. Press the SRCH Key. An input prompt will appear requesting the desired check level.



3. Input the desired check level (0, 1, or 2). The program check will begin when the check level is input, and the first error found will be displayed. If no errors are found, the following display will appear.



Note Refer to 5-4 Programming Errors for details on check levels and the programming errors that may be displayed during a program check.

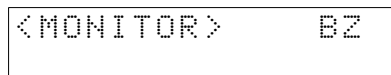
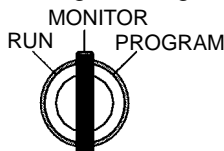
4. Press the SRCH Key to continue the search. The next error will be displayed. Continue pressing the SRCH Key to continue the search. The search will continue until an END(01) instruction or the end of Program Memory is reached.

If errors are displayed, edit the program to correct the errors and check the program again. Continue checking the program until all errors have been corrected.

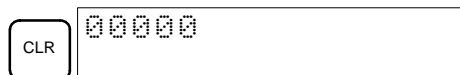
4-5-5 Test Run in MONITOR Mode

Switch the CPM2C in MONITOR mode and check the operation of the program.

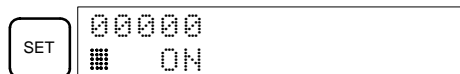
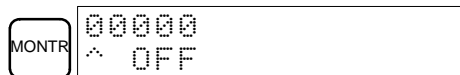
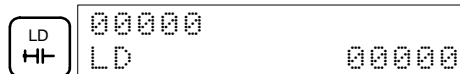
- 1, 2, 3... 1. Set the Programming Console's mode switch to MONITOR mode.



2. Press the CLR Key to bring up the initial display.



3. Force-set the start input bit (IR 00000) from the Programming Console to start the program.



The cursor in the lower left corner of the display indicates that the force set is in progress. The bit will remain ON as long as the Set Key is held down.

4. The output indicator for output IR 01000 will flash ten times if the program is operating correctly. The indicator should go OFF after ten one-second flashes.

There is a mistake in the program if the output indicator doesn't flash. In this case, check the program and force set/reset bits to check operation.

SECTION 5

Test Runs and Error Processing

This section describes procedures for test runs of CPM2C operation, self-diagnosis functions, and error processing to identify and correct the hardware and software errors that can occur during PC operation.

5-1	Initial System Checks and Test Run Procedure	152
5-1-1	Initial System Checks	152
5-1-2	Flash Memory Precautions	152
5-1-3	CPM2C Test Run Procedure	152
5-2	Self-diagnostic Functions	153
5-2-1	Identifying Errors	153
5-2-2	User-defined Errors	154
5-2-3	Non-fatal Errors	154
5-2-4	Fatal Errors	155
5-2-5	Communications Errors	155
5-3	Programming Console Operation Errors	156
5-4	Programming Errors	156
5-5	Troubleshooting Flowcharts	158
5-6	Maintenance Inspections	166
5-7	Battery Replacement	167

5-1 Initial System Checks and Test Run Procedure

5-1-1 Initial System Checks

Check the following items after setting up and wiring the CPM2C, but before performing a test run.

Item	Points to check
Power supply and I/O connections	Is the wiring correct? Are the terminals securely tightened? Are there any shorts between crimp terminals or wires? Refer to 3-4 <i>Wiring and Connections</i> for details.
Connecting cables	Are the cables all connected correctly and locked? Refer to 3-4 <i>Wiring and Connections</i> for details.
Protective label	Has the protective label been removed?

- Note**
1. Always clear memory before beginning to program the CPM2C. Although memory is cleared before the CPU Unit is shipped, the contents of the DM, HR, AR, and counter areas may change in transit. See 4-4-2 *Clearing Memory* for details on the All Clear operation.
 2. See 1-3-3 *Operating Mode at Startup* to determine what mode the CPM2C will enter when the power is turned ON.

5-1-2 Flash Memory Precautions

Observe the following precautions to protect the flash memory and ensure proper operation.

- 1, 2, 3... 1. If changes are made in the read-only DM area (DM 6144 through DM 6599) or PC Setup (DM 6600 through DM 6655), the PC's operating mode must be changed to write the new contents to flash memory. If backup battery is changed before the changes are written to flash memory, the changes will be lost.
The changes can be saved by switching the CPM2C to RUN or MONITOR mode or turning the CPM2C OFF and then ON again.
2. When contents of the program, read-only DM (DM 6144 through DM 6599), or PC Setup (DM 6600 through DM 6655) have been changed, startup processing will take up to 1,200 ms longer than usual. Be sure to take this one-time startup delay into account if it may affect operations.
3. If one of the following three operations is performed in MONITOR or RUN mode, the CPM2C's cycle time will be extended by up to 1,200 ms and interrupts will be disabled while the program or PC Setup is being overwritten.
 - Program changes with the online edit operation
 - Changes to the read-only DM area (DM 6144 through DM 6599)
 - Changes to the PC Setup (DM 6600 through DM 6655)
 A "SCAN TIME OVER" error won't occur during these operations. Be sure to take this delay in the CPM2C's I/O response times into account when performing online editing.

5-1-3 CPM2C Test Run Procedure

- 1, 2, 3... 1. Power Supply Application
 - a) Check the CPM2C's power supply voltage and terminal connections.
 - b) Check the I/O devices' power supply voltage and terminal connections.
 - c) Turn ON the power supply and check that the "PWR" indicator lights.
 - d) Use a Programming Device to set the CPM2C to PROGRAM mode.

2. I/O Wiring Checks
 - a) With the CPM2C in PROGRAM mode, check the output wiring by turning ON the output bits with the force set and force reset operations. Refer to 4-4-24 Force Set, Reset for details.
 - b) Check the input wiring with the CPM2C's input indicators or a Programming Device's monitor operations.
3. Test Run
 - a) Use a Programming Device to set the CPM2C to RUN or MONITOR mode and check that the "RUN" indicator lights.
 - b) Check the sequence of operation with the force set/reset operations, etc.
4. Debugging

Correct any programming errors that are detected.
5. Saving the Program
 - a) Use a Programming Device to write the program to a backup floppy disk.
 - b) Print out a hard copy of the program with a printer.

Note Refer to Section 4 Using Programming Devices for details on the Support Software and Programming Console operations.

5-2 Self-diagnostic Functions

The CPM2C is equipped with a variety of self-diagnostic functions to help identify and correct errors and reduce down time.

5-2-1 Identifying Errors

An error can be identified by the error message displayed on a Programming Device, error flags in the AR and SR areas, and the error code output to SR 253.

Fatal and Non-fatal Errors

PC errors are divided into 2 categories based on the severity of the errors. The status of the ERR/ALM indicator (lit or flashing) shows which type of error has occurred.

ERR/ALM Lit (Fatal Error)

Fatal errors are serious errors which stop CPM2C operation. There are two ways to restart operation:

- Turn the PC OFF and then ON again.
- Use a Programming Device to switch the PC to PROGRAM mode, and read/clear the error.

ERR/ALM Flashing (Non-fatal Error)

Non-fatal errors are less serious errors which don't stop CPM2C operation.

Error Messages


When an error is detected, a corresponding error message will be displayed on the Programming Console or other Programming Device connected to the PC.

Error Flags

When a hardware error is detected, the corresponding error flag in the AR or SR area will be turned ON.

Error Code

When an error is detected, a specific 2-digit hexadecimal error code is output to SR 25300 to SR 25307. The error code and time of occurrence are also output to the Error Log Area (DM 2000 to DM 2021).

 **WARNING** Emergency stop circuits, interlock circuits, limit circuits, and similar safety measures must be provided in external control circuits (i.e., not in the Programmable Controller) to ensure safety in the system if an abnormality occurs due to malfunction of the PC or another external factor affecting the PC operation. Not providing proper safety measures may result in serious accidents.

⚠ WARNING The PC will turn OFF all outputs when its self-diagnosis function detects any error or when a severe failure alarm (FALS) instruction is executed. External safety measures must be provided to ensure safety in the system. Not providing proper safety measures may result in serious accidents.

5-2-2 User-defined Errors

There are three instructions that can be used to define errors or messages. FAL(06) causes a non-fatal error, FAL(07) causes a fatal error, and MSG(46) sends a message to the Programming Console or host computer connected to the PC.

FAILURE ALARM – FAL(06)

FAL(06) is an instruction that causes a non-fatal error. The following will occur when an FAL(06) instruction is executed:

- 1, 2, 3... 1. The ERR/ALM indicator on the CPU Unit will flash. PC operation will continue.
2. The instruction's 2-digit BCD FAL number (01 to 99) will be written to SR 25300 to SR 25307.

The FAL numbers can be set arbitrarily to indicate particular conditions, but the same number should not be used as both an FAL number and an FALS number. To clear an FAL error, correct the cause of the error and then execute FAL 00 or use a Programming Device to clear the error.

SEVERE FAILURE ALARM – FALS(07)

FALS(07) is an instruction that causes a fatal error. The following will occur when an FALS(07) instruction is executed:

- 1, 2, 3... 1. Program execution will be stopped and all outputs will be turned OFF.
2. The ERR/ALM indicator on the CPU Unit will be lit.
3. The instruction's 2-digit BCD FALS number (01 to 99) will be written to SR 25300 to SR 25307.

The FALS numbers can be set arbitrarily to indicate particular conditions, but the same number should not be used as both an FAL number and an FALS number. To clear an FALS error, use a Programming Device to switch the PC to PROGRAM Mode, correct the cause of the error, and then clear the error.

MESSAGE – MSG(46)

MSG(46) is used to display a message on a Programming Device connected to the CPM2C. The message, which can be up to 16 characters long, is displayed when the instruction's execution condition is ON.

5-2-3 Non-fatal Errors

PC operation and program execution will continue after one or more of these errors have occurred. Although PC operation will continue, the cause of the error should be corrected and the error cleared as soon as possible.

When one of these errors occurs, the POWER and RUN indicators will remain lit and the ERR/ALM indicator will flash.

Message	FAL No.	Meaning and appropriate response
SYS FAIL FAL** (** is 01 to 99 or 9B.)	01 to 99	An FAL(06) instruction has been executed in the program. Check the FAL number to determine conditions that would cause execution, correct the cause, and clear the error.
	9B	An error has been detected in the PC Setup. Check flags AR 1300 to AR 1302, and correct as directed. AR 1300 ON: An incorrect setting was detected in the PC Setup (DM 6600 to DM 6614) when power was turned ON. Correct the settings in PROGRAM Mode and turn ON the power again. AR 1301 ON: An incorrect setting was detected in the PC Setup (DM 6615 to DM 6644) when switching to RUN or MONITOR mode. Correct the settings in PROGRAM Mode and switch to RUN or MONITOR mode again. AR 1302 ON: An incorrect setting was detected in the PC Setup (DM 6645 to DM 6655) during operation. Correct the settings and clear the error.

Message	FAL No.	Meaning and appropriate response
SCAN TIME OVER	F8	The cycle time has exceeded 100 ms. (SR 25309 will be ON.) This indicates that the program cycle time is longer than recommended. Reduce cycle time if possible. (The CPM2C can be set so that this error won't be detected.)
Battery error (no message)	F7	If the Low Battery Detection Switch is ON and the voltage of the CPM2C-BAT01 backup battery is below the minimum level, the ERR/ALM indicator will flash and SR 25308 will be turned ON. (See page 42 for details on the Low Battery Detection Switch.) Replace the battery. (See 5-7 <i>Battery Replacement</i> for details.)

5-2-4 Fatal Errors

PC operation and program execution will stop and all outputs from the PC will be turned OFF when any of these errors have occurred. CPM2C operation can't be restarted until the PC is turned OFF and then ON again or a Programming Device is used to switch the PC to PROGRAM mode and clear the fatal error.

All CPU Unit indicators will be OFF for the power interruption error. For all other fatal operating errors, the POWER and ERR/ALM indicators will be lit. The RUN indicator will be OFF.

Message	FALS No.	Meaning and appropriate response
Power interruption (no message)	None	Power has been interrupted for more than 10 ms (2 ms for DC power types.) Check power supply voltage and power lines. Try to power-up again.
MEMORY ERR	F1	AR 1308 ON: There is a non-existent bit or word address in the user program. Check the program and correct errors.
		AR 1309 ON: An error has occurred in flash memory. Replace the CPU Unit.
		AR 1310 ON: A checksum error has occurred in read-only DM (DM 6144 to DM 6599). Check and correct the settings in the read-only DM area.
		AR 1311 ON: A checksum error has occurred in the PC Setup. Initialize the PC Setup and input the settings again.
		AR 1312 ON: A checksum error has occurred in the program. Check the program and correct any errors detected.
		AR 1313 ON: A checksum error has occurred in the expansion instructions data and all function codes have been set the their default values. Reset the expansion instructions.
		AR 1314 ON: Data was not maintained in an area specified for holding. Clear the error, check the data in the areas specified for holding, and try again.
NO END INST	F0	END(01) is not written in the program. Write END(01) at the end of the program.
I/O BUS ERR	C0	An error has occurred during data transfer between the CPU Unit and an Expansion I/O Unit or Expansion Unit. Check the Unit's connecting cable.
I/O UNIT OVER	E1	Too many Expansion Units or Expansion I/O Units have been connected. Check the Unit configuration.
SYS FAIL FALS** (** is 01 to 99 or 9F.)	01 to 99	A FALS(07) instruction has been executed in the program. Check the FALS number to determine the conditions that caused execution, correct the cause, and clear the error.
	9F	The cycle time has exceeded the Maximum (Watch) Cycle Time setting (DM 6618). Check the cycle time and adjust the Maximum Cycle Time setting if necessary.

5-2-5 Communications Errors

The COMM indicator will be turned OFF and AR 0812 will be turned ON if an error occurs in communications through the peripheral port or AR 0804 will be turned ON if an error occurs in communications through the RS-232C port. Check the connecting cables and restart.

There are no error messages or error codes generated by this error and the ERR/ALM indicator is not affected.

5-3 Programming Console Operation Errors

The following error messages may appear when performing operations on the Programming Console. Correct the error as indicated and continue operation.

Message	Meaning and appropriate response
REPL ROM	An attempt was made to write to write-protected memory. Set bits 00 to 03 of DM 6602 to "0."
PROG OVER	The instruction at the last address in memory is not NOP(00). Erase all unnecessary instructions after END(01).
ADDR OVER	An address was set that is larger than the highest memory address in Program Memory. Input a smaller address.
SETDATA ERR	FALS 00 has been input, and "00" cannot be input. Reinput the data.
I/O NO. ERR	A data area address has been designated that exceeds the limit of the data area, e.g., an address is too large. Confirm the requirements for the instruction and re-enter the address.

Note Refer to the relevant Support Software Operation Manual for details on errors that may appear when operating the SSS or SYSMAC-CPT Support Software.

5-4 Programming Errors

These errors in program syntax will be detected when the program is checked using the Program Check operation.

Three levels of program checking are available. The desired level must be designated to indicate the type of errors that are to be detected. The following table provides the error types, displays, and explanations of all syntax errors. Check level 0 checks for type A, B, and C errors; check level 1, for type A and B errors; and check level 2, for type A errors only.

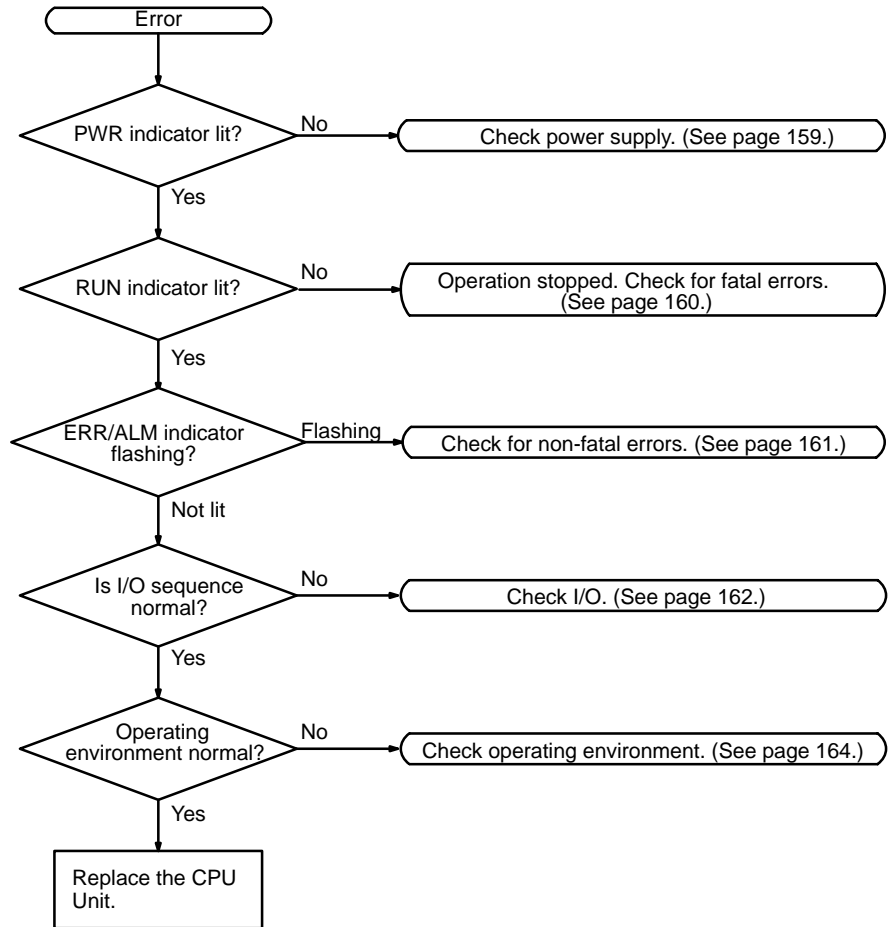
Type	Message	Meaning and appropriate response
A	????	The program has been damaged, creating a non-existent function code. Re-enter the program.
	CIRCUIT ERR	The number of LD instructions (LD or LD NOT) does not match the number of logic block instructions (OR LD or AND LD). Check your program.
	OPERAND ERR	A constant entered for the instruction is not within defined values. Change the constant so that it lies within the proper range.
	NO END INSTR	There is no END(01) in the program. Write END(01) at the end of the program.
	LOCN ERR	An instruction is in the wrong place in the program. Check instruction requirements and correct the program.
	JME UNDEFD	A JME(05) instruction is missing for a JMP(04) instruction. Correct the jump number or insert the proper JME(05) instruction.
	DUPL	The same jump number or subroutine number has been used twice. Correct the program so that the same number is only used once for each.
	SBN UNDEFD	An SBN(92) has not been programmed with the same subroutine number as an SBS(91) instruction in the program. Correct the program.
STEP ERR	STEP(08) with a section number and STEP(08) without a section number have been used incorrectly. Check STEP(08) programming requirements and correct the program.	

Type	Message	Meaning and appropriate response
B	IL-ILC ERR	IL(02) and ILC(03) are not used in pairs. Correct the program so that each IL(02) has a unique ILC(03). Although this error message will appear if more than one IL(02) is used with the same ILC(03), the program will executed as written. Make sure your program is written as desired before proceeding.
	JMP-JME ERR	JMP(04) and JME(05) are not used in pairs. Make sure your program is written as desired before proceeding.
	SBN-RET ERR	RET(93) has not been used properly or the relationship between SBN(92) and RET(93) is not correct. Correct the program.
C	COIL DUPL	The same bit is being controlled (i.e., turned ON and/or OFF) by more than one instruction (e.g., OUT, OUT NOT, DIFU(13), DIFD(14), KEEP(11), SFT(10)). Although this is allowed for certain instructions, check instruction requirements to confirm that the program is correct or rewrite the program so that each bit is controlled by only one instruction.
	JMP UNDEFD	JME(05) has been used with no JMP(04) with the same jump number. Add a JMP(04) with the same number or delete the JME(05) that is not being used.
	SBS UNDEFD	A subroutine exists that is not called by SBS(91). Program a subroutine call in the proper place, or delete the subroutine if it is not required.

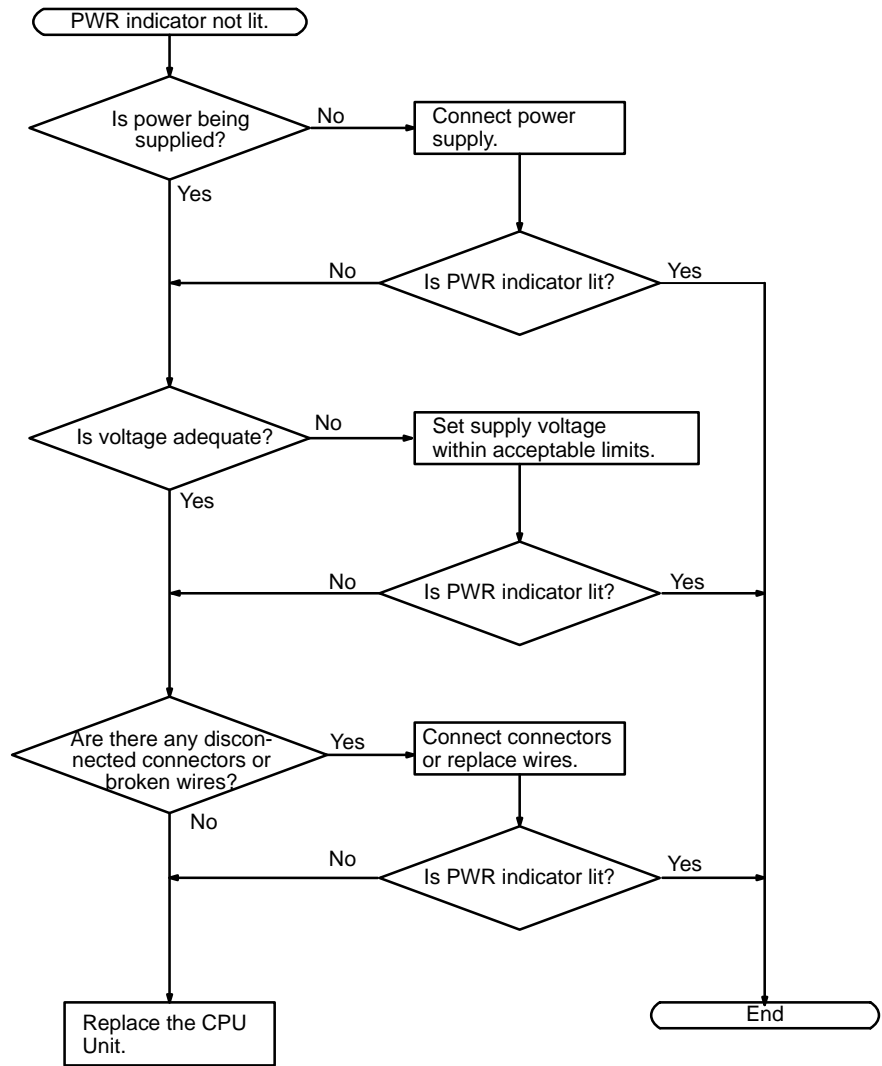
5-5 Troubleshooting Flowcharts

Use the following flowcharts to troubleshoot errors that occur during operation.

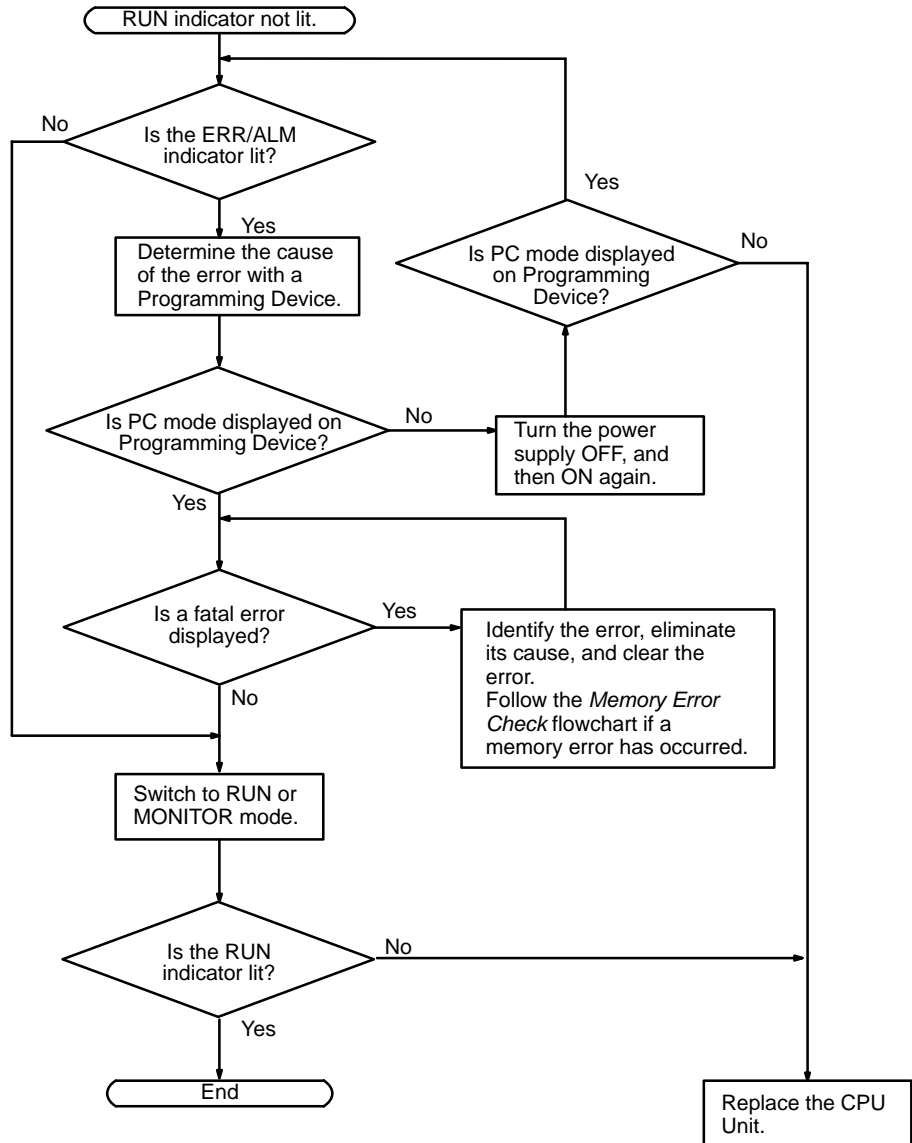
Main Check



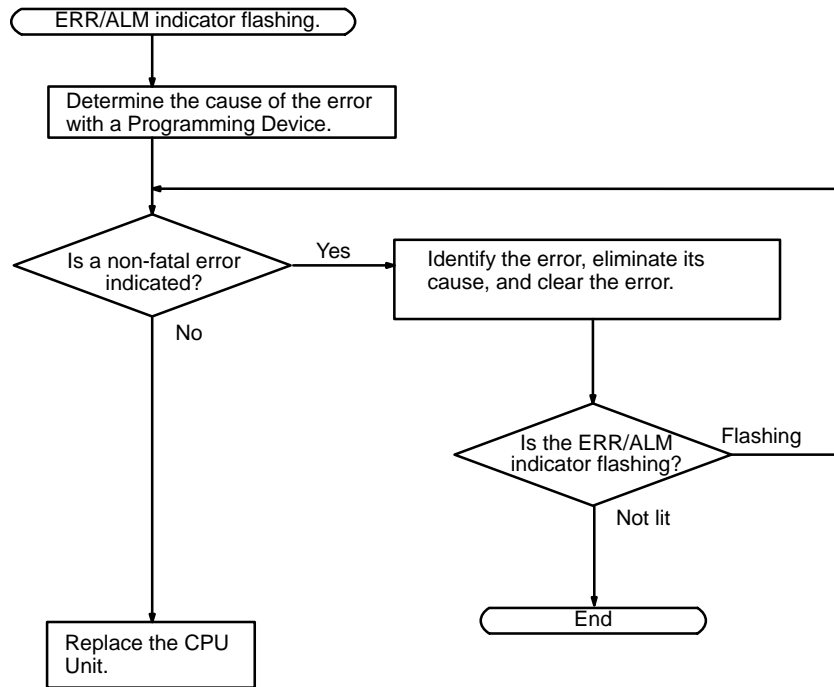
Power Supply Check



Fatal Error Check

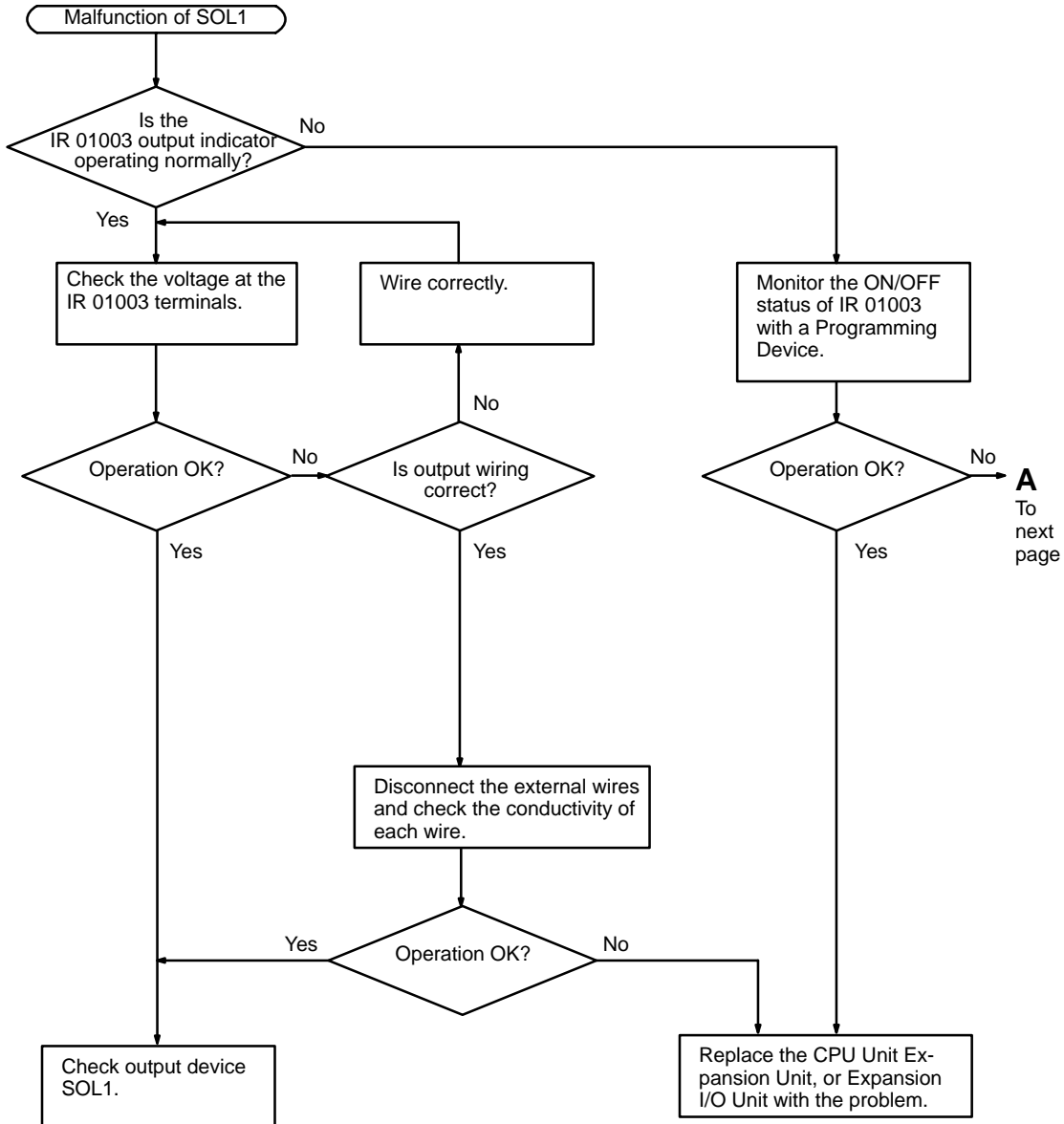
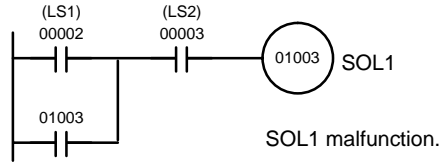


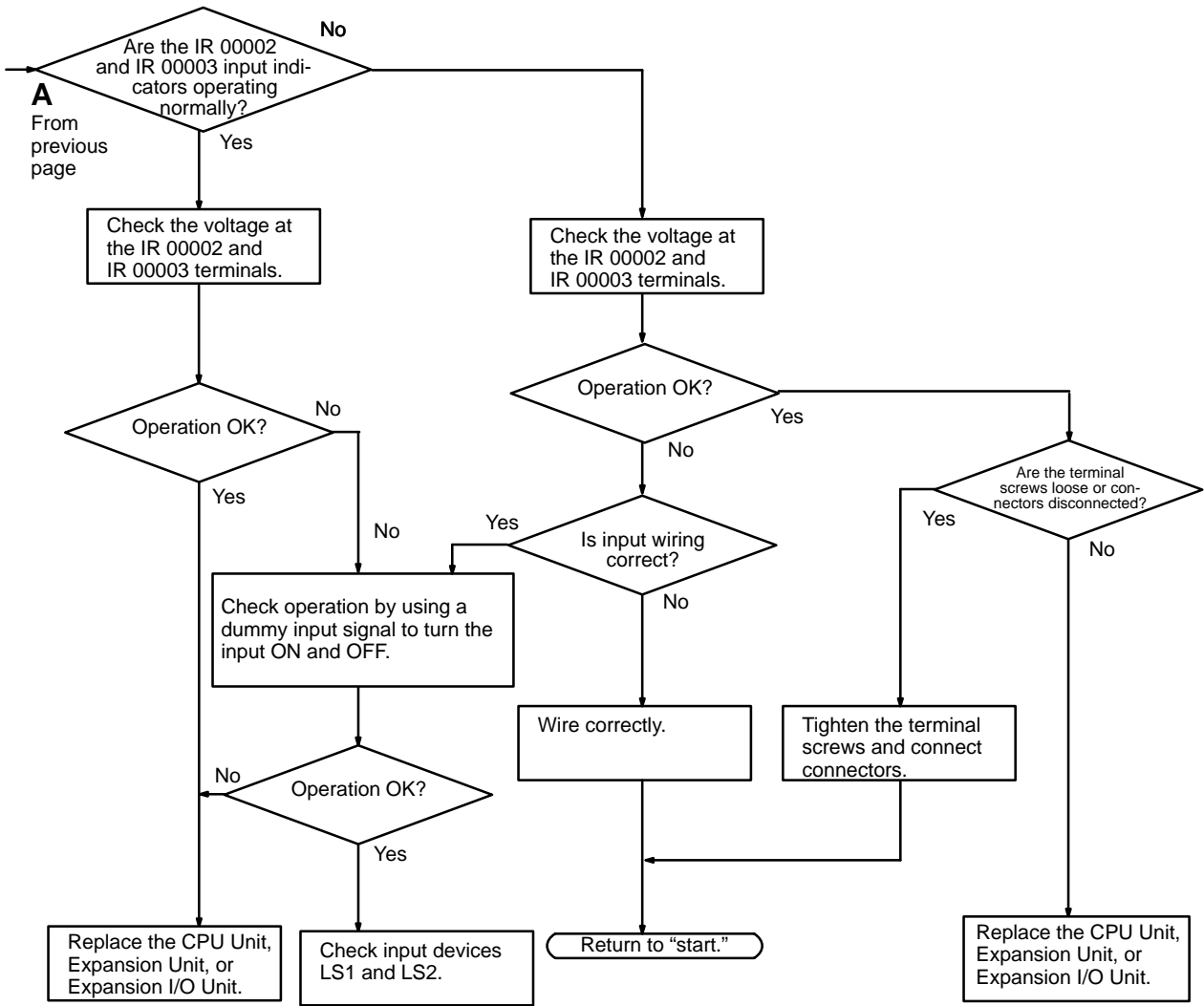
Non-fatal Error Check



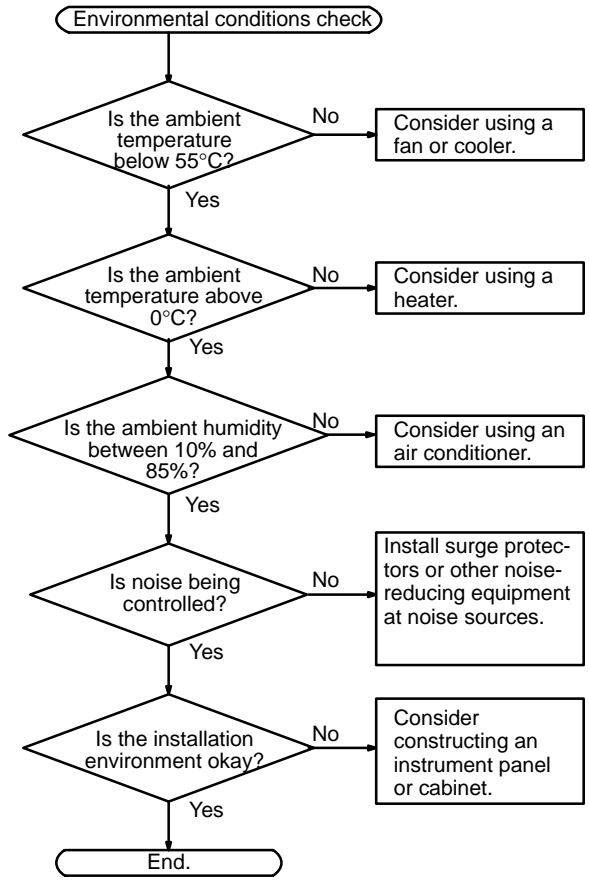
I/O Check

The I/O check flowchart is based on the following ladder diagram section.

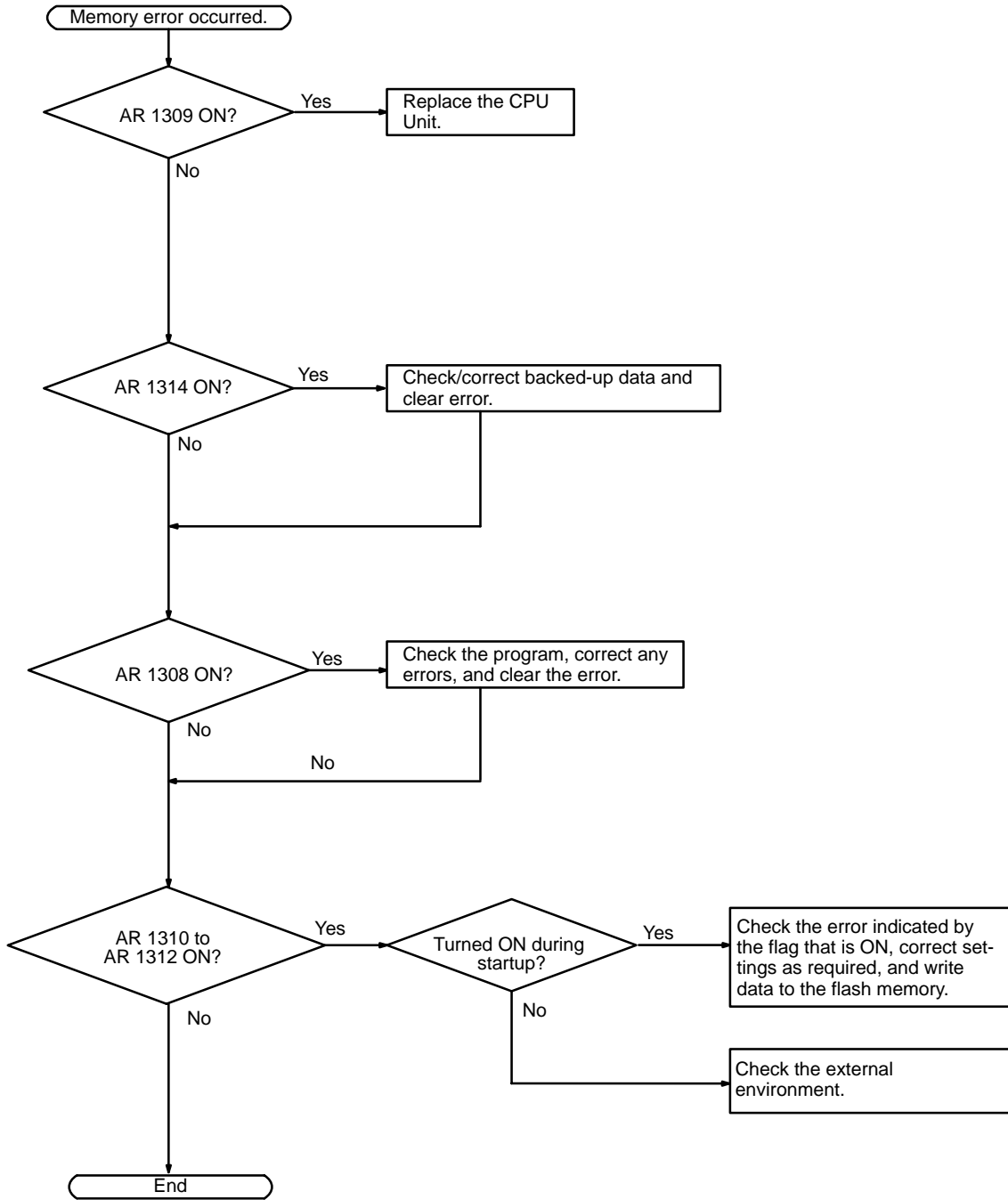




Environmental Conditions Check



Memory Error Check



5-6 Maintenance Inspections

In order for your SYSMAC system to operate in optimum condition, be sure to carry out daily or periodical inspections.

Inspection Items

The main system components of a SYSMAC system are semiconductors, and it contains few components with limited lifetimes. Poor environmental conditions, however, can lead to deterioration of the electrical components, making regular maintenance necessary.

The standard period for maintenance checks is 6 months to 1 year, but more frequent checks are required if the PC is operated in more demanding conditions.

If the criteria are not met, adjust to within the specified ranges.

Inspection items	Details	Criteria	Remarks
Power supply	Determine whether the voltage fluctuation at the power supply terminals is within specifications.	Within the voltage variation range (see note)	Tester
Environmental conditions	Is the ambient temperature inside the panel appropriate?	0 to 55°C	Thermometer
	Is the ambient humidity inside the panel appropriate?	10% to 90% RH with no condensation	Hygrometer
	Has dirt or dust collected?	None	Visual inspection
I/O power supply	Is the voltage fluctuation measured at the I/O terminals within the standard range?	Each I/O terminal must conform to the specifications	Tester
Installation status	Are all units securely installed?	Nothing is loose	Phillips screwdriver
	Are all connection cables and connectors inserted completely and locked?	Nothing is loose	Visual inspection
	Are any of the external wiring screws loose?	Nothing is loose	Phillips screwdriver
	Are any of the external wiring cables frayed?	No external abnormalities	Visual inspection
Product service life	Contact output relay	Electrical: Resistance load: 150,000 operations Inductive load: 100,000 operations Mechanical: 20,000,000 operations	---
	Battery (CPM2C-BAT01)	2 years at 25°C	---

Note Power supply voltage range:

Power supply	Allowable voltage fluctuation range
100 to 240 VAC (CPM2C-PA201 only)	85 to 264 VAC
24 VDC	20.4 to 26.4 VDC

Required Tools

Standard Tools (Required)

- Screwdrivers (Phillips and flat-blade)
- Voltage tester or digital voltage meter
- Industrial alcohol and a cotton cloth

Measurement Devices (May be Needed)

- Synchroscope
- Cathode-ray oscilloscope
- Thermometer, hygrometer

Note Do not attempt to disassemble, repair, or modify the PC in any way.

5-7 Battery Replacement

! WARNING The backup battery may explode, catch fire, or leak if dropped, broken apart, crushed, short-circuited, recharged, heated to 100°C or higher, or burned.

If power has not been supplied to the PC for some time, turn ON the power supply for at least 5 minutes to charge the backup capacitor before replacing the battery.

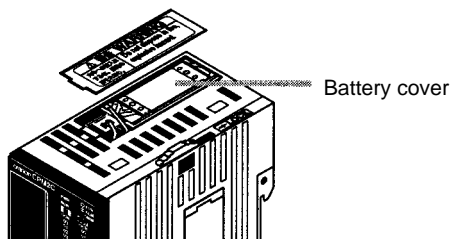
Turn OFF the power supply to the PC before replacing the battery. To protect the contents of memory, this procedure must be completed within 5 minutes.

A label has been included to remind the user when the battery needs to be replaced. After replacing the battery, write the next date that the battery should be replaced on the label and affix the label in a visible place such as the inside of the communications port cover.

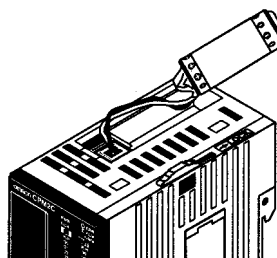
Be sure to dispose of the old battery in accordance with local laws and regulations.

A CPM2C-BAT01 Backup Battery is built into CPU Units that are equipped with an internal clock. Replace the battery within two years when used under 25°C. When the battery voltage drops, the ERR/ALM indicator will flash and SR 25308 will be turned ON. (Refer to page 155.) In this case, replace the battery within seven days. Use the procedure below when replacing the battery.

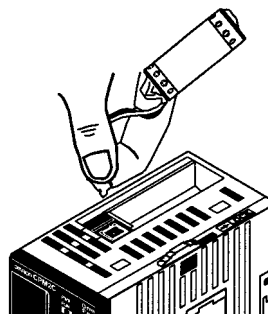
- 1, 2, 3...
1. Stop CPM2C operation and turn OFF the power supply.
 2. Remove the battery cover with a flat-blade screwdriver.



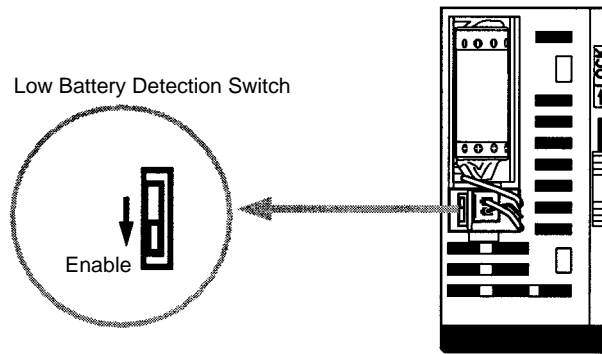
3. Remove the battery and disconnect the battery connector.



4. Install the new battery. Be sure that the connector is aligned correctly and the wires are not pinched or kinked when the battery is inserted.



5. To enable the detection of low battery errors, slide the Low Battery Detection Switch towards the front of the Unit and set bits 12 to 15 of DM 6655 to "0."



6. Replace the battery cover.
7. Write the next date that the battery should be replaced on the reminder label. The battery lifetime of the CPU Unit with clock is 2 years at 25°C and that of the CPU Unit without clock is 5 years at 25°C.

SECTION 6

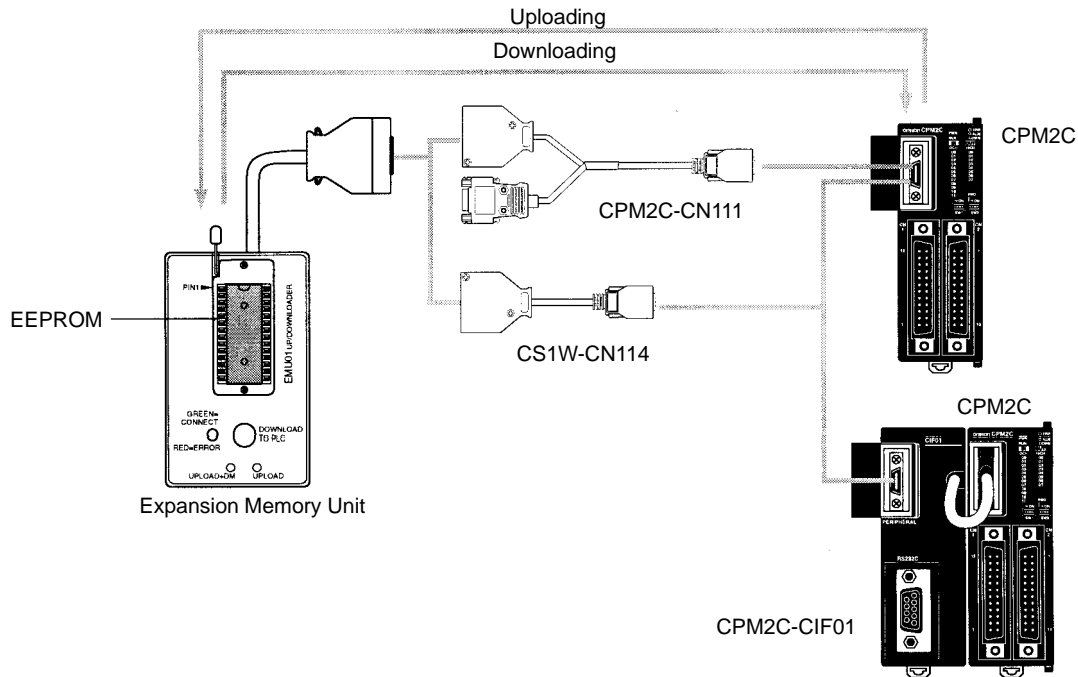
Expansion Memory Unit

This section describes how to use the CPM1-EMU01-V1 Expansion Memory Unit. Follow the handling precautions and procedures to properly use the Unit.

6-1	Overview	170
6-1-1	Memory Areas	170
6-1-2	Precautions	170
6-2	Specifications and Nomenclature	171
6-2-1	Specifications	171
6-2-2	Nomenclature	171
6-3	Handling	172
6-3-1	Mounting/Removing EEPROM	172
6-3-2	PC Connections	173
6-3-3	Uploading Programs	174
6-3-4	Downloading Programs	175

6-1 Overview

The CPM1-EMU01-V1 Expansion Memory Unit is a program loader for small-size or micro PCs. Using the CPM1-EMU01-V1, simple on-site transfer of user programs and data memory between PCs is possible.



Note The “PLC” in the “DOWNLOAD TO PLC” Button indicates PCs (Programmable Controllers).

6-1-1 Memory Areas

The memory areas that are uploaded or downloaded vary with the button used as shown in the following table.

Button	UPLOAD + DM	UPLOAD	DOWNLOAD TO PLC
Ladder program and expansion instructions	Read from PC to EEPROM.	Read from PC to EEPROM.	All contents of EEPROM written to PC.
DM 6144 to 6655		Not affected.	

Note For details on program size, DM area, and the availability of expansion instructions, refer to the relevant PC manual.

6-1-2 Precautions

- Do not attempt to use the CPM1-EMU01-V1 for any applications other than those described here. Doing so may result in malfunction.
- Do not attempt to upload or download data between different types of PC. Doing so may result in malfunction.
- Do not download when the PC is in RUN or MONITOR mode. If downloading is performed when the PC is running, it will automatically switch to PROGRAM mode and operation will stop.
- Do not attempt to disassemble, repair, or modify the CPM1-EMU01-V1. Any attempt to do so may result in malfunction, fire, or electric shock.
- After downloading has been completed, be sure to confirm the user program, data, and expansion instruction information. Not doing so may result in faulty operation.

- Before touching the EEPROM or the CPM1-EMU01-V1, first touch a grounded metallic object to discharge any static build-up. Not doing so may result in malfunction or damage.

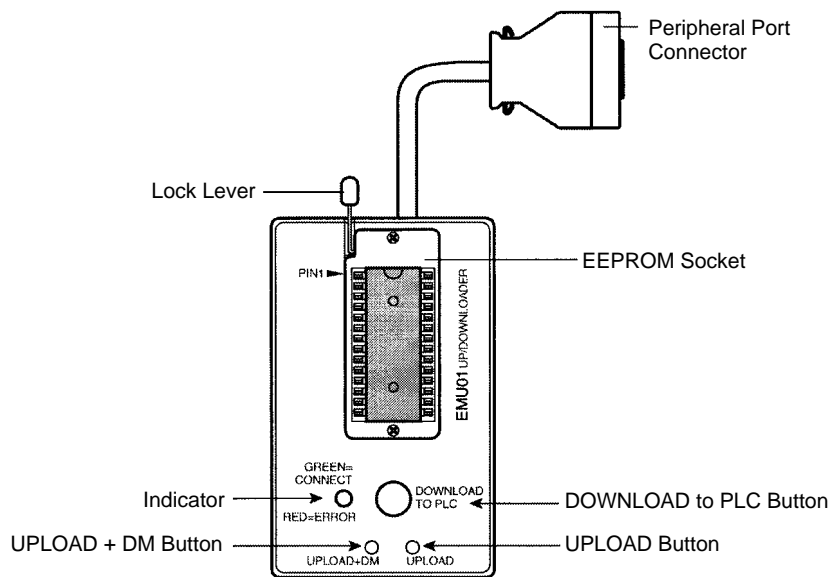
6-2 Specifications and Nomenclature

6-2-1 Specifications

Item	Specifications
Supported PCs	CPM1, CPM1A, CPM2A, CPM2C, SRM1 (-V2), CQM1, CQM1H
Read/Write memory areas	User program: 15.2 Kwords max. Data memory: DM 6144 to DM 6655 (Read-only DM and PC Setup) Expansion instructions: 18 instructions
Connector	Connector compatible with CPM1, CPM1A, CPM2A, SRM1 (-V2), and CQM1 PCs. For CPM2C and CQM1H PCs, connect via CS1W-CN114 or CPM2C-CN111 Connecting Cable.
Communications setting	1 start bit, 7 data bits, even parity, 2 stop bits, 9,600 bps
EEPROM (See note 1.)	256-Kbit EEPROM ATMEL: AT28C256 OMRON: EEROM-JD
Current consumption	129 mA max.
Dimensions	Main body (not including cables or connectors): 57 × 92 × 38 mm (W × H × D)
Weight	200 g max. (not including EEPROM)

- Note**
1. The EEPROM must be purchased separately.
 2. For general specifications, refer to the relevant PC manual.

6-2-2 Nomenclature



Lock Lever

For mounting and removing EEPROM.

DOWNLOAD TO PLC Button

Writes all EEPROM data (ladder programs, data memory etc.) to the PC.

UPLOAD + DM Button

Reads PC user program and contents of DM 6144 to DM 6655 to EEPROM.

UPLOAD Button

Reads only PC user program to EEPROM.

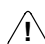
- Note** The “PLC” in the “DOWNLOAD TO PLC” Button indicates PCs (Programmable Controllers).

LED Indicator

CONNECT (green)	ERR (red)	Meaning
OFF	OFF	Not connected to PC (power supply OFF).
ON	OFF	Connected to a recognized PC.
Blinking	OFF	Uploading/downloading data.
ON	Blinking	Host link communications error, retry by user.
OFF	ON	PC model and EEPROM data not compatible.
OFF	Blinking	One of the following errors has occurred: An unrecognized PC is connected. An EEPROM error (EEPROM not present, EEPROM defect, or no program to download) or checksum error.

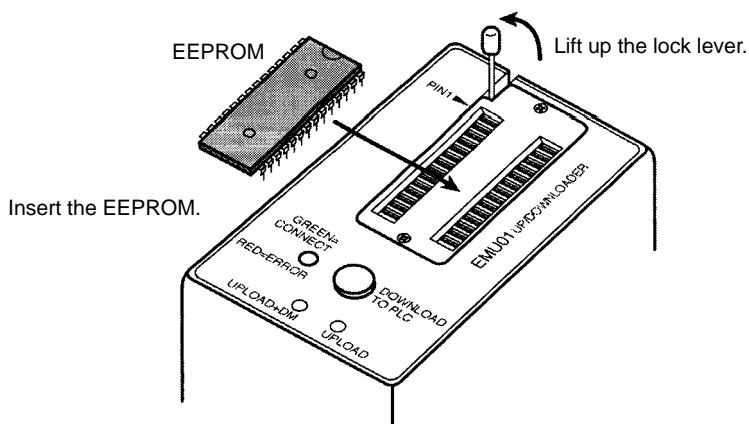
6-3 Handling

6-3-1 Mounting/Removing EEPROM

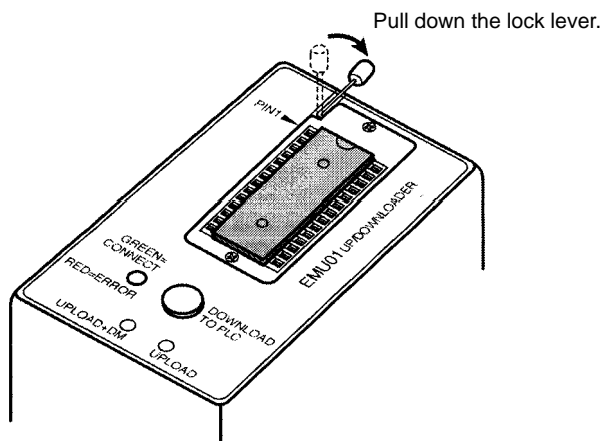
 **Caution** Do not mount or remove the EEPROM with the CPM1-EMU01-V1 connected to the PC. Doing so may damage the EEPROM.

Mounting EEPROM

- 1, 2, 3...
1. Lift up the lock lever.
 2. Straighten the pins on the EEPROM, line up with the socket and lower into the socket, as shown in the following diagram. If the EEPROM is loose, place it in the center of the socket.



3. Gently hold down the EEPROM and pull down the lock lever.



Removing EEPROM

Lift up the lock lever and detach the EEPROM.

6-3-2 PC Connections

Caution Mount the EEPROM to the CPM1-EMU01-V1 before connecting the CPM1-EMU01-V1 to the PC.

Caution Do not disconnect the CPM1-EMU01-V1 from the PC when the indicator is blinking green.

CPM2C and CQM1H PCs

When connecting to the CPM2C or CQM1H, connect to the peripheral port via the CPM2C-CN111 or CS1W-CN114 Connecting Cable. Also, set the pins on the CPU Unit's DIP switch as follows:

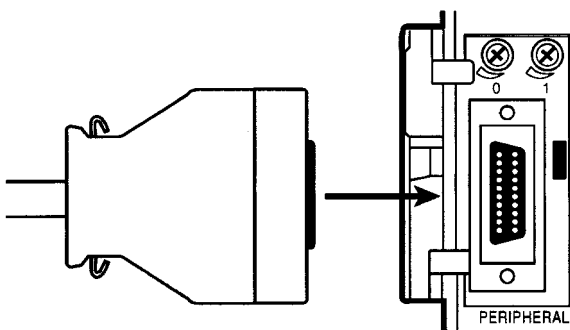
CPM2C	Pin 1: ON (see note)
	Pin 2: ON
CQM1H	Pin 5: ON (see note)
	Pin 7: ON

Note If pin 1 on the CPM2C or pin 5 on the CQM1H is OFF, connection is still possible if the peripheral port is set to the defaults.

CPM1, CPM1A, CPM2A, CQM1, and SRM1 (-V2) PCs

When connecting to the CPM1, CPM1A, CPM2A, CQM1 or SRM1 (-V2), insert the connector into the peripheral port making sure that the connector is oriented correctly.

- Insert the connector until it securely locks into place.
- Connections are not possible to the RS-232C port or any other port.



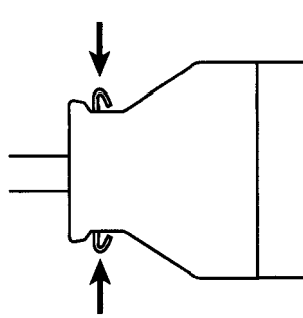
Peripheral Port Communications Settings

The peripheral port must be set to the default communications settings shown below.

- Start bits: 1
- Data bits: 7
- Stop bits: 2
- Parity: Even
- Baud rate: 9,600 bps

Disconnecting

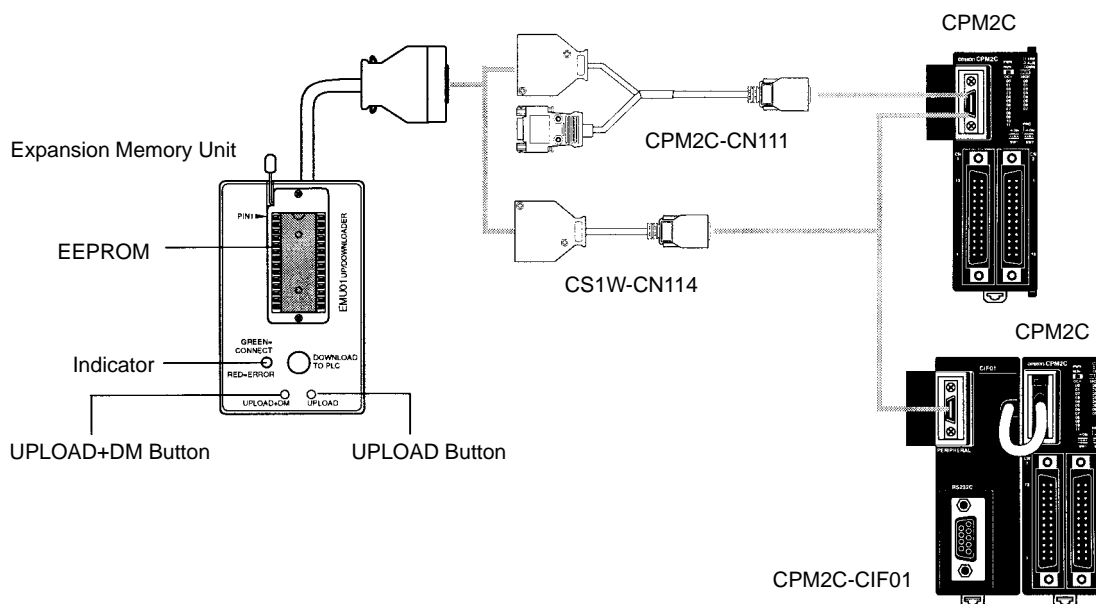
Press the levers on the top and bottom of the connector inwards to unlock the connector and pull out as shown in the following diagram.



Note Do not attempt to remove the connector by pulling the cable.

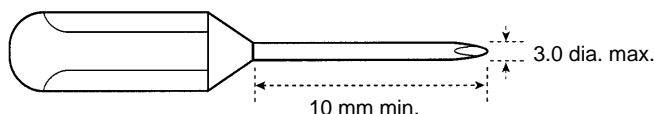
6-3-3 Uploading Programs

Ladder programs and the contents of data memory can be uploaded to the EEPROM using the following procedure. The buttons used will determine whether the contents of data memory are uploaded or not.



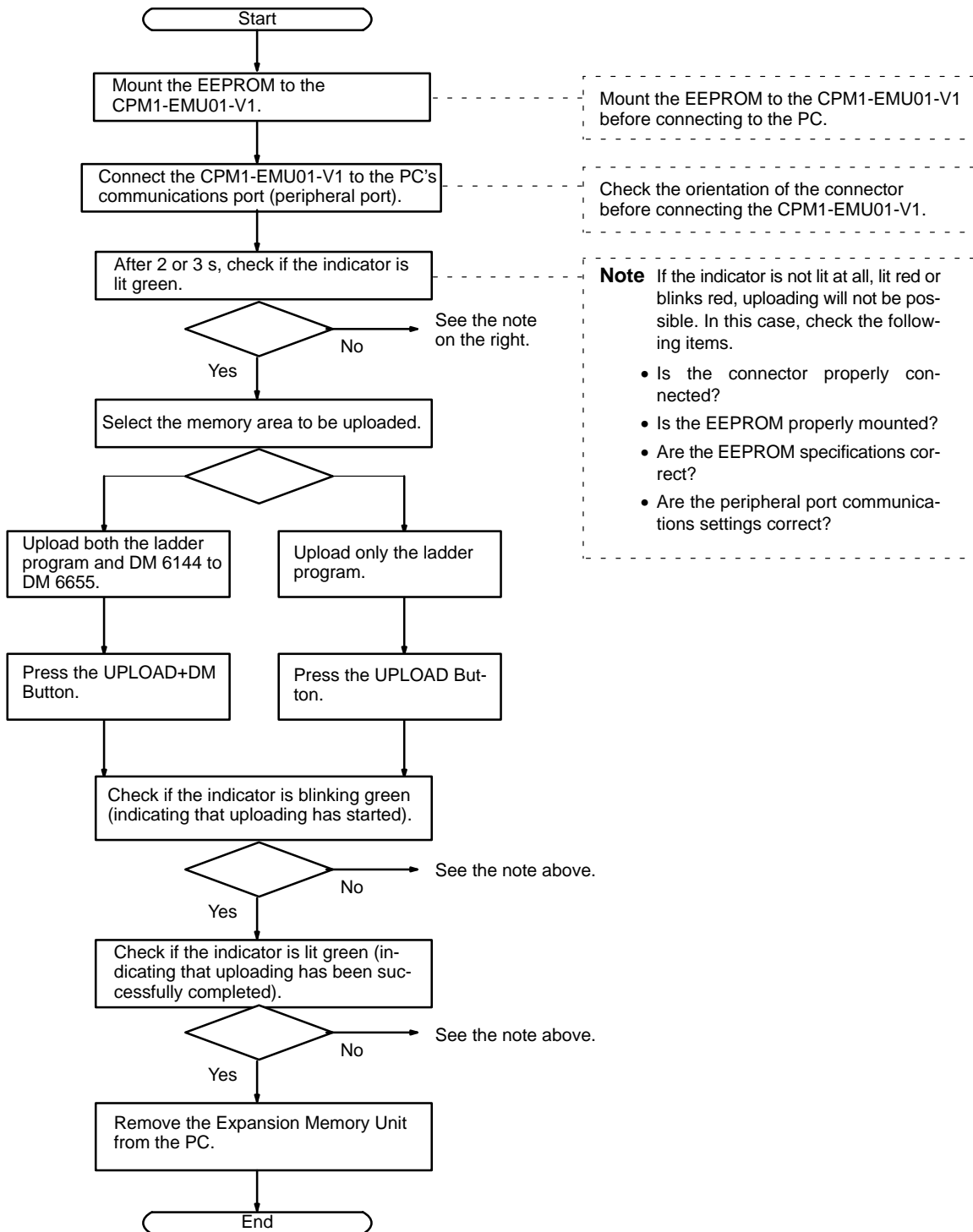
Button	UPLOAD + DM	UPLOAD
Ladder program and expansion instructions	Read from PC to EEPROM.	Read from PC to EEPROM.
DM6144 to 6655		Not affected.

Note Use a Phillips screwdriver or other tool with a diameter of 3.0 mm max. and a blade length of 10 mm min. to press the upload button.



Uploading is possible even if the PC is in RUN or MONITOR mode.

Operation Procedure

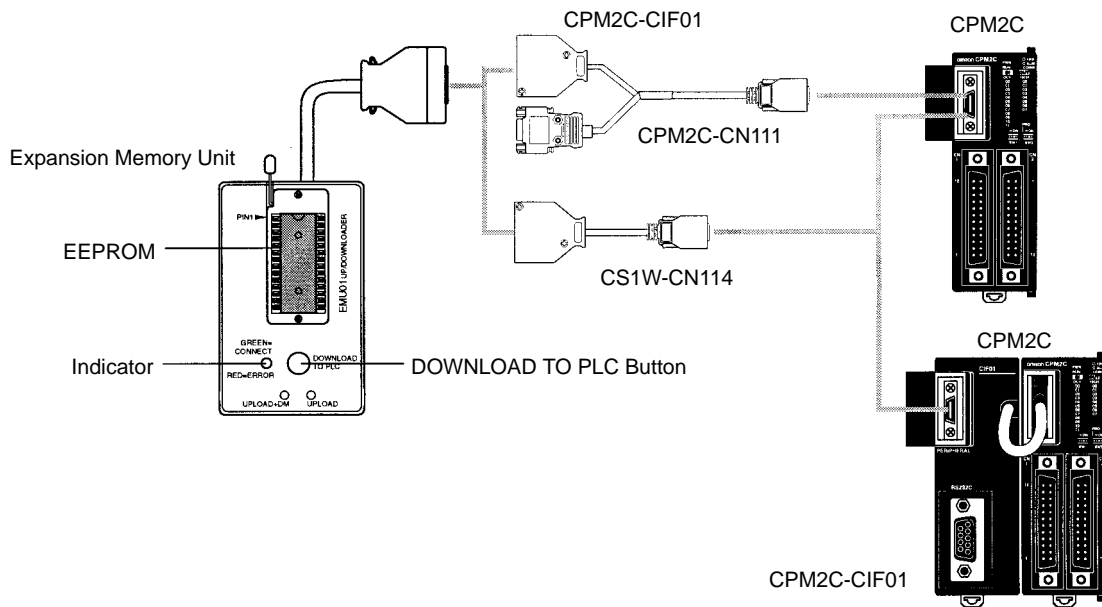


6-3-4 Downloading Programs

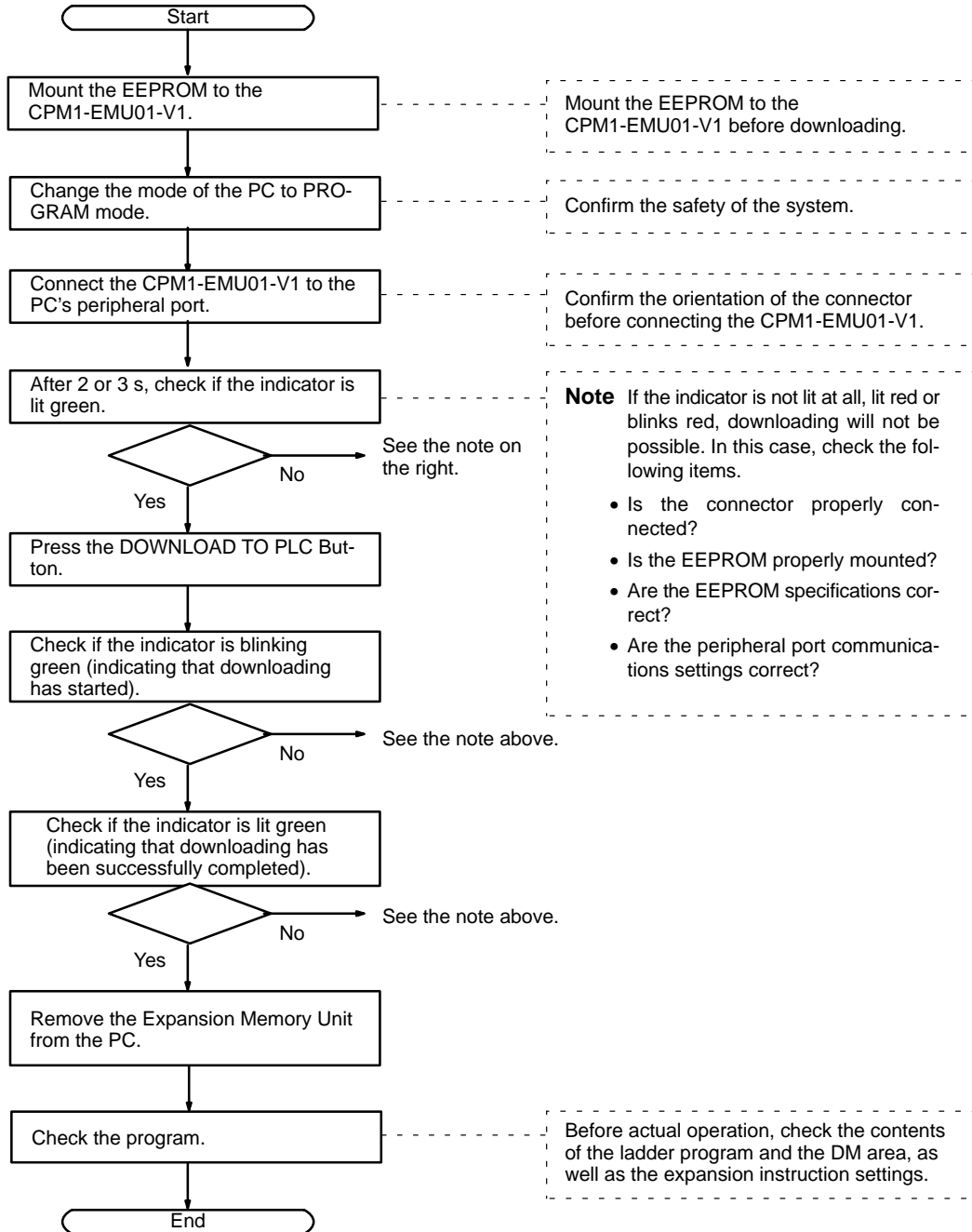
Ladder programs and the contents of data memory can be downloaded from the EEPROM to the PC using the procedure given below. When downloading, note the following points.

Caution If the PC is in RUN or MONITOR mode when downloading is started, it will automatically switch to PROGRAM mode and operation will stop. Confirm that no adverse effects will occur to the system before downloading. Not doing so may result in unexpected operation.

- Note**
1. If the PC is in RUN or MONITOR mode, switch the PC mode to PROGRAM mode.
 2. Confirm that the program or other data to be downloaded to the PC is compatible with the PC before downloading.
 3. For the CQM1 or CQM1H, when downloading programs that use user-assigned function codes for expansion instructions, be sure that pin 4 on the CPU Unit's DIP switch is ON. If these programs are downloaded while the pin is OFF, the assignments for the expansion instructions will return to their default settings.
 4. After downloading has been completed, be sure to confirm the user program, data, and expansion instructions.
 5. When the DOWNLOAD TO PLC Button is pressed, all EEPROM data (ladder programs, data memory etc.) is written to the PC.






Operation Procedure









Appendix A

Standard Models

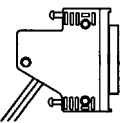
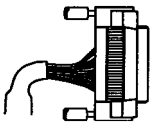
CPU Units

Description	Input points	Output points	Internal clock	Model number		
				Relay outputs	Transistor outputs	
					Sinking	Sourcing
CPU Units with relay outputs 	6 points	4 points	---	CPM2C-10CDR-D	---	---
			Yes	CPM2C-10C1DR-D	---	---
CPU Units with transistor outputs  	6 points	4 points	---	---	CPM2C-10CDTC-D	CPM2C-10CDT1C-D
			Yes	---	CPM2C-10C1DTC-D	CPM2C-10C1DT1C-D
	12 points	8 points	---	---	CPM2C-20CDTC-D	CPM2C-20CDT1C-D
			Yes	---	CPM2C-20C1DTC-D	CPM2C-20C1DT1C-D

Expansion I/O Units


Description	Input points	Output points	Model number		
			Relay outputs	Transistor outputs	
				Sinking	Sourcing
Expansion I/O Unit with relay outputs 	6 points	4 points	CPM2C-10EDR	---	---
Expansion I/O Units with transistor outputs 	16 points	8 points	---	CPM2C-24EDTC	CPM2C-24EDT1C
Expansion I/O Unit with DC inputs only 	8 points	---	CPM2C-8EDC		
Expansion I/O Unit with DC inputs only 	16 points	---	CPM2C-16EDC		
Expansion I/O Units with relay outputs only 	---	8 points	CPM2C-8ER	---	---
Expansion I/O Units with transistor outputs only 	---	8 points	---	CPM2C-8ETC	CPM2C-8ET1C
	---	16 points	---	CPM2C-16ETC	CPM2C-16ET1C

I/O Connectors (OMRON Products)


Connector	Description	
	C500-CE241	24-pin soldered connector with cover
	C500-CE242	24-pin crimp connector with cover
	C500-CE243	24-pin pressure connector

Expansion Units


Analog I/O Unit

Model	Name	Specifications
 CPM2C-MAD11	Analog I/O Unit	2 analog inputs, 1 analog output


Temperature Sensor Units

Model	Name	Specifications
 CPM2C-TS001	Temperature Sensor Unit	2 thermocouple inputs
CPM2C-TS101		2 platinum resistance thermometer inputs

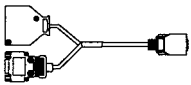
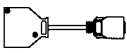

CompoBus/S I/O Link Unit

Model	Name	Specifications
 CPM2C-SRT21	CompoBus/S I/O Link Unit	Allocates CPM2C I/O (8 inputs and 8 outputs) when CPM2C used as a CompoBus Slave.




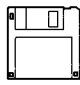
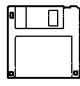
AC Power Supply Unit

Model	Name	Specifications
 CPM2C-PA201	AC Power Supply Unit	Input: 100 to 240 VAC Output: 24 VDC/600 mA


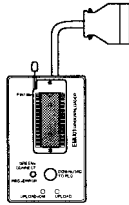

Communications Port Connecting Cables

Connector	Description	Cable length
 CPM2C-CN111 Connecting Cable	Converts the CPM2C CPU Unit's communications port to a peripheral port and RS-232C port.	0.15 m (about 4")
 CS1W-CN114 Connecting Cable	Converts the CPM2C CPU Unit's communications port to a peripheral port.	0.05 m (about 2")
 CS1W-CN118 Connecting Cable	Converts the CPM2C CPU Unit's communications port to an RS-232C port.	0.1 m (about 2")

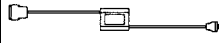




Peripheral Devices

Name	Appearance	Model Number	Specifications	
Programming Console		CQM1-PRO01-E	2-m Connecting Cable attached	
			C200H-PRO27-E	Hand-held, w/backlight; requires one of the Connecting Cables listed below.
	C200H-CN222		Connects the C200H-PRO27-E to a peripheral port.	2-m cable
	C200H-CN422			4-m cable
	CS1W-CN224		Connects the C200H-PRO27-E directly to the CPM2C CPU Unit's communications port.	2-m cable
CS1W-CN624		6-m cable		
CX-Programmer		WS02-CXPC1-E	For MS-Windows 95/98 (CD-ROM)	
SYSMAC-CPT		WS01-CPTB1-E	For IBM PC/AT or compatible computers (3.5" disks (2HD) and CD-ROM)	
SYSMAC Support Software		C500-ZL3AT1-E	3.5", 2HD for IBM PC/AT compatible	

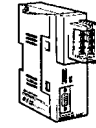
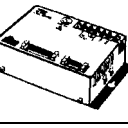
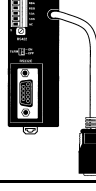
Maintenance Accessories

Name	Appearance	Model Number	Specifications
Backup Battery		CPM2C-BAT01	---
Expansion Memory Unit		CPM1-EMU01-V1	Uploads the ladder program and DM 6144 to DM 6655 from the PC to the EEPROM and downloads the ladder program and DM 6144 to DM 6655 from the EEPROM to the PC.
EEPROM		EEROM-JD	256 Kbits

Adapters and Connecting Cables

CPM2C communications port usage	Name	Appearance	Model number	Comments	Cable length
Peripheral	RS-232C Adapter		CQM1-CIF02	For a 9-pin computer serial port	3.3 m
	Peripheral/ RS-232C Adapter Unit		CPM2C-CIF01	Use for peripheral port to RS-232C conversion.	---
RS-232C	RS-232C Cable		XW2Z-200S	For a 25-pin computer serial port	2 m
			XW2Z-500S		5 m
		XW2Z-200S-V	For a 9-pin computer serial port	2 m	
		XW2Z-500S-V		5 m	
RS-232C Cables (For use with the NT-AL001.)		XW2Z-070T-1	Use for CPM2C RS-232C port to NT-AL001 connection. (70-cm cable)		
		XW2Z-070T-1	Use for CPM2C RS-232C port to NT-AL001 connection. (2-m cable)		

Adapters (1:N Connections)

Name	Appearance	Model number	Specifications
RS-422 Adapter		NT-AL001	Use for CPM2C RS-232C port to RS-422A conversion. Requires a 5-VDC, 150 mA power supply which is supplied through the CPM2C connection. (Can also be connected to a personal computer, but this connection requires an external 5-VDC power supply.)
Link Adapter		B500-AL004	Use for personal computer RS-232C port to RS-422A conversion. (Can also be connected to a CPM2C.)
RS-422/RS-232C Adapter Unit		CPM2C-CIF11	Use for CPM2C peripheral port to RS-422 conversion.

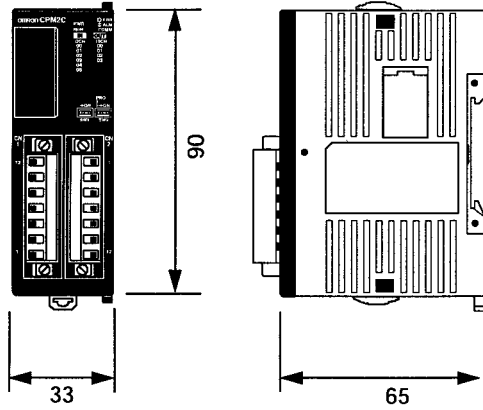
Appendix B

Dimensions

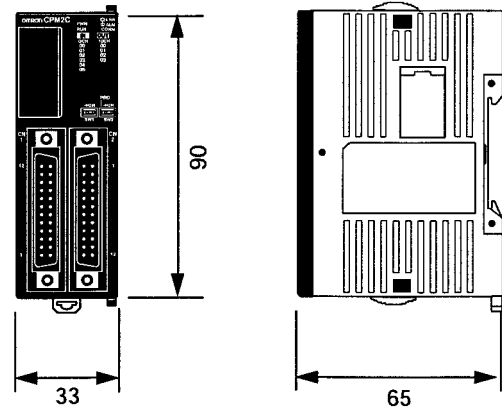
All dimensions are in millimeters.

CPU Units

CPU Units with Relay Outputs
(CPM2C-10CDR-D, CPM2C-10C1DR-D)

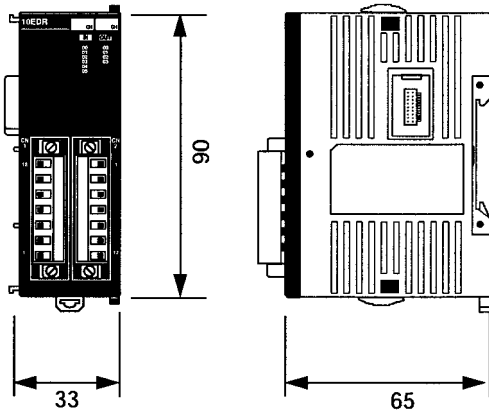


CPU Units with Transistor Outputs
(CPM2C-□0CDTC-D, CPM2C-□0C1DTC-D,
CPM2C-□0CDT1C-D, CPM2C-□0C1DT1C-D)

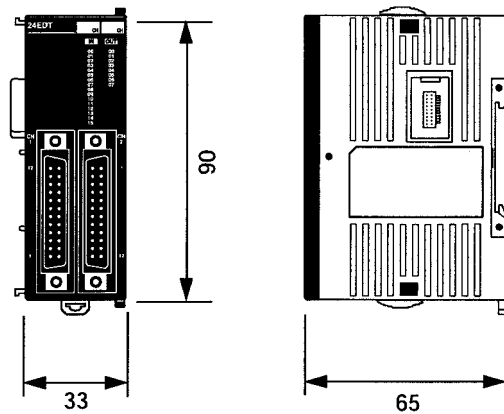


Expansion I/O Units

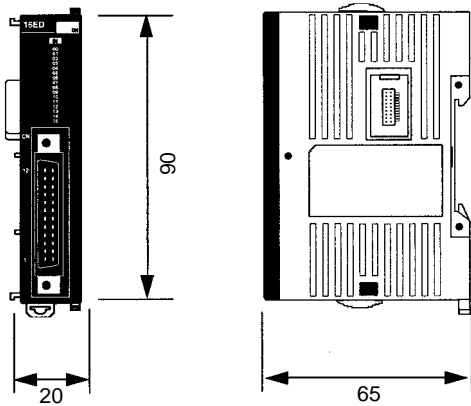
**Units with Relay Outputs
(CPM2C-10EDR/8ER)**



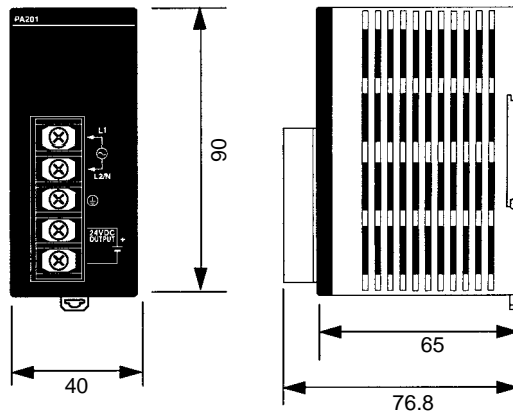
**Units with Transistor Outputs
(CPM2C-24EDTC, CPM2C-24EDT1C)**



**Units with Inputs or Outputs Only
(CPM2C-8EDC, CPM2C-8ETC, CPM2C-8ET1C,
CPM2C-16EDC, CPM2C-16ETC, CPM2C-16ET1C)**

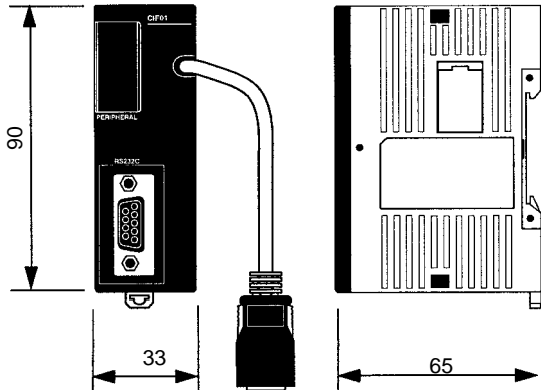


CPM2C-PA201 AC Power Supply Unit

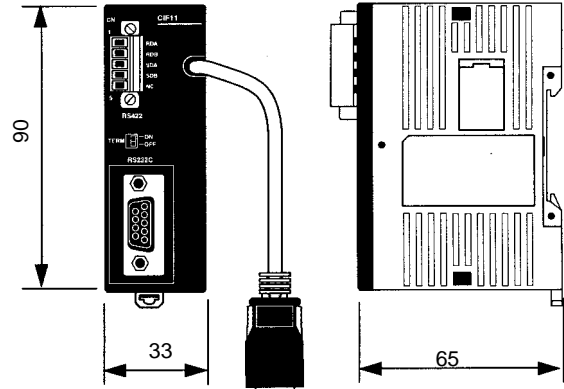


Adapter Units

CPM2C-CIF01 Peripheral/RS-232C Adapter Unit

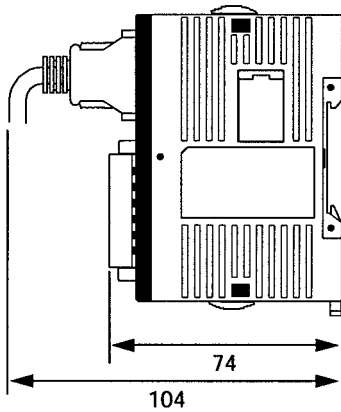


CPM2C-CIF11 RS-422/RS-232C Adapter Unit

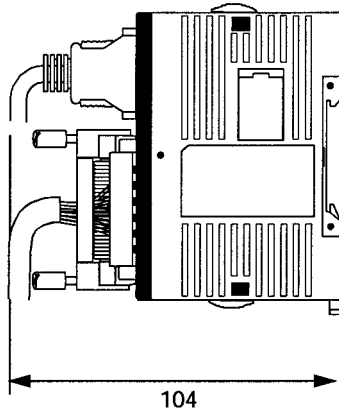


CPM2C Units with Connectors Attached

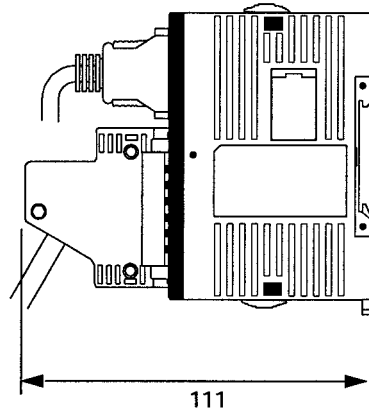
Units with Relay Outputs



Units with Transistor Outputs (Using pressure connectors)



Units with Transistor Outputs (Using soldered connectors)



Weights

Unit	Model number	Weight
Power Supply Unit	CPM2C-PA201	250 g max.
CPU Units	CPM2C-10CDR-D	200 g max.
	CPM2C-10C1DR-D	200 g max.
	CPM2C-10CDTC-D	200 g max.
	CPM2C-10CD1DTC-D	200 g max.
	CPM2C-10CDT1C-D	200 g max.
	CPM2C-10C1TDT1C-D	200 g max.
	CPM2C-20CDTC-D	200 g max.
	CPM2C-C1DTC-D	200 g max.
	CPM2C-20CDT1C-D	200 g max.
	CPM2C-20C1DT1C-D	200 g max.
Expansion I/O Units	CPM2C-10EDR	200 g max.
	CPM2C-24EDTC	200 g max.
	CPM2C-24EDT1C	200 g max.
	CPM2C-8EDC	150 g max.
	CPM2C-16EDC	150 g max.
	CPM2C-8ER	200 g max.
	CPM2C-8ETC	150 g max.
	CPM2C-8ET1C	150 g max.
	CPM2C-16ETC	150 g max.
	CPM2C-16ET1C	150 g max.
Expansion Units	CPM2C-MAD11	200 g max.
	CPM2C-TS001	200 g max.
	CPM2C-TS101	200 g max.
	CPM2C-SRT21	150 g max.
Peripheral/RS-232C Adapter Unit	CPM2C-CIF01	150 g max.
Rs-422/RS-232C Adapter Unit	CPM2C-CIF11	150 g max.

Index

Numbers

1:1 connections, 100
1:N connections, 97

A

AC Power Supply Unit. *See* Power Supply Unit
Adapter Units
 available models, 10, 183
 components, 54
 dimensions, 188
Adapters, available models, 183
Analog I/O Unit
 See also Expansion Units
 available models, 181
 components, 51
 dimensions, 187
arc killer, examples, xviii
ASCII, converting displays, Programming Console, 143
atmosphere, 30

B

basic functions, 19
battery, replacing, 167
binary data, modifying, Programming Console, 140
bit status, force-set/reset, Programming Console, 142
bits, searching, Programming Console, 130
buzzer operation, Programming Console, 124

C

cabinet
 installation, precautions, 61
 Programming Console installation, 115
cables, available models, 181
characteristics, 30
check levels, program checks, 156
checking, program syntax, Programming Console, 132
circuit configuration
 inputs, 34
 outputs
 relay, 37
 transistor, 38
clearing, memory areas, Programming Console, 123
clock, reading and setting the clock, 144

communications
 capabilities, 20
 overview, 5
 errors, 155
CompoBus/S I/O Link, 100
CompoBus/S I/O Link Unit
 See also Expansion Units
 available models, 181
 components, 53
 dimensions, 187
components
 Adapter Units, 54
 Analog I/O Unit, 51
 CompoBus/S I/O Link Unit, 53
 CPU Units, 40
 Expansion I/O Units, 45
 Power Supply Unit, 58
 Temperature Sensor Units, 52
conduit installation, 66
connectors
 available models, 180
 dimensions, 188
counters
 changing SV, Programming Console, 138
 example of inputting, 148
CPM1A, function comparison, 20
CPM2A, function comparison, 20
CPU Units
 available models, 7, 179
 components, 40
 cyclic operation, 14
 dimensions, 185
 general specifications, 30
 input specifications, 34
 internal structure, 11
cycle time, displaying, Programming Console, 144
cyclic operation, 14

D

data, modifying, Programming Console, 137–138, 139, 140, 141
data link, 5, 100
date. *See* clock
decimal data with sign. *See* signed decimal data
decimal data without sign. *See* unsigned decimal data
dielectric strength, 30
differentiated instructions, entering, 128
dimensions, 185
DIN Track installation, 64
displays
 converting between hex and ASCII, Programming Console, 143
 cycle time, Programming Console, 144
downloading, programs, 175
duct installation, 65

E

EC Directives, precautions, xvi

EEPROM
 mounting/removing, 172
 specifications, 171

electrical noise, preventing, 62, 65

ERR/ALM indicator
 flashing, 154
 lit, 155

errors
 communications, 155
 error processing, 151
 fatal, 155
 identifying, 153
 non-fatal, 154
 programming, 156
 Programming Console operations, 156
 reading/clearing messages, Programming Console, 124
 user-defined errors, 154

Expansion I/O Units
 available models, 9, 180
 components, 45
 connections, 62
 dimensions, 186
 general specifications, 30
 input specifications, 36

expansion instructions, 113
 reading and changing function code assignments, 125

Expansion Memory Unit, 169
 connections, 173

Expansion Units
 available models, 10, 181
 components, 51
 connections, 62
 dimensions, 187
 specifications, 30

F

FAL numbers, 154

FAL(06), 154

FALS numbers, 155

FALS(07), 154

false inputs, 81

fatal errors, troubleshooting, 160

features, 2

flash memory, precautions, 152

flicker output, example, 149

force-set/reset
 clearing, Programming Console, 143
 Programming Console, 142

function codes, reading and changing expansion instruction assignments, 125

functions, 6
 comparison, 20

H-I

hexadecimal data, converting displays, Programming Console, 143

humidity, 30

I/O capacity, 30

I/O connectors
 available models, 180
 pin allocation
 CPU Units, 43
 Expansion I/O Units, 47
 wiring, 70

I/O errors, troubleshooting, 162

I/O line noise, preventing, 65

I/O refreshing, immediate refreshing, 17

I/O terminals, allocation
 CPU Units, 43
 Expansion I/O Units, 47

immediate refreshing, 17

indicators
 CompoBus/S LED indicators, 54
 flashing ERR/ALM indicator, 154
 lit ERR/ALM indicator, 155
 PC status indicators, 41

inductive loads, 82, 93

initialization, time required, 13

input devices, connections, 79

input specifications
 CPU Units, 34
 Expansion I/O Units, 36

inputs, wiring, 75
 configuration, 75

inrush current, 30
 suppressing, 93

inspections, 166

installation, 64
 site, selecting, 61

instructions
 inserting and deleting, Programming Console, 131
 searching, Programming Console, 129

insulation resistance, 30

interlocks, 60

interrupt program execution, in cyclic operation, 16

L

leakage current, 81

LED indicators, 41

limit switches, preventing false inputs, 81

M

machine control functions, list, 18

maintenance, 166

- accessories, 182
- functions, 20

memory

- backup, 32
- Expansion Memory Unit, 169
- protection, 32

memory areas

- clearing, Programming Console, 123
- partial clear, 123
- uploading/downloading, 170

messages, reading/clearing, 124

model numbers, 179

modes

- changing the PC mode, 118
- operating modes, 12

modifying

- binary data, Programming Console, 140
- data, Programming Console, 137
- hexadecimal/BCD data, Programming Console, 139
- signed decimal data, Programming Console, 140
- SV, Programming Console, 138
- unsigned decimal data, Programming Console, 141

MONITOR mode

- description, 109, 119
- example test run, 150

monitoring

- 3-word monitor, Programming Console, 136
- binary monitor, Programming Console, 135–136
- differentiation monitor, Programming Console, 134–135
- signed decimal monitor, Programming Console, 136–137
- status, Programming Console, 132
- unsigned decimal monitor, Programming Console, 137

motor control, capabilities, 3

MSG(46), 154

N

no-protocol communications, 98

noise

- immunity, 30
- preventing electrical noise, 62, 65

non-fatal errors, troubleshooting, 161

NPN current output, connections, 79

NPN open collector, connections, 79

NT Link, connections, 99

O

operating conditions, troubleshooting, 164

operating modes, 12

- operating mode at startup, 12

operation, preparations, 120

output short protection, 92

output specifications

- relay output, 37
- transistor output, 38

output wiring

- configuration, 82
- relay output, 82, 85, 86
- transistor output
 - sinking, 83, 84, 85, 87, 88
 - sourcing, 83, 84, 86, 87, 88

P

panel

- installation, precautions, 61
- Programming Console installation, 115

password, entering on Programming Console, 120

PC mode, changing, 118

PC status, indicators, 41

Peripheral Devices, available models, 182

photoelectric switches, preventing false inputs, 81

platinum resistance thermometer, 4

PNP current output, connections, 79

position control, 3

power, consumption, 30

power cables, 65

power interruption, detection, 13

power supply

- interrupt time, 30
- precautions, 60
- troubleshooting, 159, 165
- wiring, 66

Power Supply Unit

- available models, 8, 181
- components, 58
- dimensions, 186
- specifications, 33
- wiring, 67

precautions

- design precautions, 60
- general, xi
- output wiring, 92
- SYSMAC Support Software, 112
- uploading/downloading, 170

program memory, setting address and reading content, Programming Console, 126

PROGRAM mode, description, 109, 119

Programmable Terminal, connections, 99

programming
 checking the program, 150
 checks for syntax, Programming Console, 132
 errors, 156
 example, 145
 inserting and deleting instructions, Programming Console, 131–132
 preparation for, 145
 procedures, 147
 searching, Programming Console, 129–130
 setting and reading a memory address, Programming Console, 126

Programming Console
 connections, 94, 114
 keys, 116
 models, 116
 operation errors, 156
 operations, 122
 using, 114

Programming Devices
 connections, 94
 using, 103

programs
 checking, check levels, 156
 downloading, 175
 entering and editing, Programming Console, 126
 execution, in cyclic operation, 15
 program capacity, 30
 uploading, 174

proximity switches, preventing false inputs, 81

PT connections, 99

pulse control, 3

pulse outputs, 3
 wiring, 92

Q–R

quick-response inputs, 3

relay outputs, connections, 79

Relay Terminals, connections, 74

RS-422 port, connection, 94

RUN mode, description, 109, 119

S

search
 instruction, Programming Console, 129–130
 operands, Programming Console, 130

self-diagnosis functions, 32

self-holding bit, example, 147

self-diagnostic functions, 153

serial communications, 98

shock resistance, 30

signed decimal data
 modifying, Programming Console, 140
 monitoring, 136–137

specifications
 characteristics, 30
 Expansion Memory Unit, 171
 general specifications, 30
 I/O connectors, 71
 input specifications
 CPU Units, 34
 Expansion I/O Units, 36
 output specifications
 relay output, 37
 transistor output, 38
 Power Supply Unit, 33
 terminal blocks, 69
 weights, 189

SSS, 111

status, monitoring, Programming Console, 132

Support Software, 104

SV, modifying, Programming Console, 138

syntax, checking the program, Programming Console, 132

SYSMAC Support Software. *See* SSS

SYSMAC-CPT Support Software, 104
 precautions, 104

system
 checks, 152
 configuration, 7

T

temperature, operating, storage, 30

Temperature Sensor Units
 See also Expansion Units
 available models, 181
 components, 52
 dimensions, 187

terminal blocks
 connections, 74
 specifications, 69
 wiring, 69

test run
 example, 150
 procedure, 152

thermocouple, 4

time. *See* clock

timers
 changing SV, Programming Console, 138
 example of inputting, 148

troubleshooting, 158
 fatal errors, 160
 I/O errors, 162
 non-fatal errors, 161
 operating conditions, 164
 power supply, 159, 165

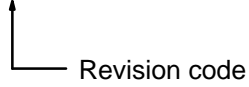
U-W

- unsigned decimal data
 - modifying, Programming Console, 141
 - monitoring, 137
- uploading, programs, 174
- vibration resistance, 30
- voltage
 - operating voltage range, 30
 - output, connections, 79
 - supply voltage, 30
- weight, 189
- wiring, 65
 - I/O connectors, 70
 - power supply, 66
 - terminal blocks, 69

Revision History

A manual revision code appears as a suffix to the catalog number on the front cover of the manual.

Cat. No. W356-E1-2



The following table outlines the changes made to the manual during each revision. Page numbers refer to the previous version.

Revision code	Date	Revised content
1	June 1999	Original production
2	January 2000	Major revisions throughout the manual. Information altered on the Analog I/O Unit, Temperature Sensor Units, the CompoBus/S I/O Link Unit, Expansion I/O Units, Adapter Units, the AC Power Supply Unit, the Expansion Memory Unit, Relay Terminals, Terminal Blocks, and Programming Console connections.