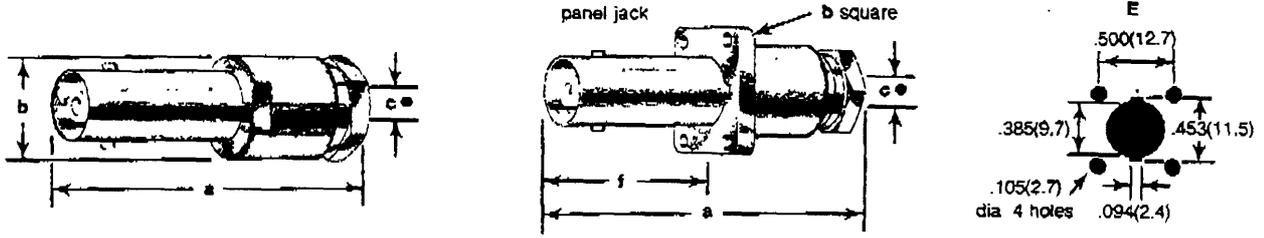


Amphenol® miniature coaxial connectors

146-1394

MHV jacks, receptacles, adapters



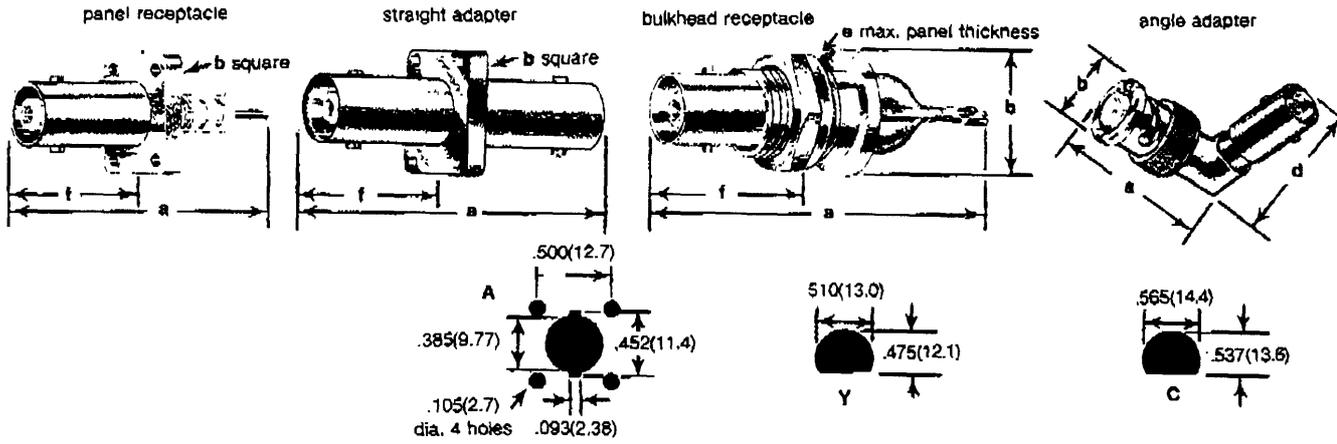
FEMALE CONTACTS • WEATHERPROOF • NON-CONSTANT IMPEDANCE • TFE INSULATION

STRAIGHT JACKS

Cable RG-U	Cannot be Used With	Terminal Style	Dimensions, inches (millimeters)				MTG. Hole	Construction Notes	Military Number	Amphenol Number
			a	b	c	f				
55,58, 141,142	55A	STD-Clamp	.469(11.9)	.563(14.3)	.212(5.4)	—	—	—	—	28325
59,62,71 140,210	—	MIL-Clamp I	1.438(36.5)	.500(12.7)	.257(6.5)	—	—	—	UG-1016A	27075

PANEL JACKS • rear mount

140,210	—	MIL-Clamp I	1.438(36.5)	.688(17.5)	.257(6.5)	862(21.9)	E	#3-56 Tapped Flange Holes	UG-961A	28175
---------	---	-------------	-------------	------------	-----------	-----------	---	---------------------------	---------	-------



PANEL RECEPTACLES FEMALE CONTACTS • WEATHERPROOF • NON-CONSTANT IMPEDANCE • REAR MOUNT • TFE INSULATION

Terminal Style	Dimensions, inches (millimeters)				MTG. Hole	Construction Notes	Military Number	Amphenol Number
	a	b	e	f				
Solder Cup	1.438(36.5)	.688(17.5)	.090(2.3)	.625(15.8)	A	#3-56 Tapped Flange Holes	UG-931	27000

BULKHEAD RECEPTACLES

Spade	1.688(42.9)	.688(17.5)	.125(0.3)	.831(21.1)	Y	Glass/TFE Insulation Pressurized	—	10400
Turret	1.625(41.3)	1.062(27.0)	.109(2.7)	.845(21.5)	C	—	—	27025

JACK-JACK ADAPTERS

WEATHERPROOF • NON-CONSTANT IMPEDANCE • TFE INSULATION

Description	Dimensions, inches (millimeters)					MTG. Hole	Amphenol Number
	a	b	d	e	f		
Straight	1.5(38.1)	.687(17.5)	—	.090(2.3)	.615(15.6)	A	12850

PLUG-JACK ADAPTERS

Angle	1.188(30.2)	.563(14.3)	1.825(41.3)	—	—	—	10425
-------	-------------	------------	-------------	---	---	---	-------

• accommodates cable diameter