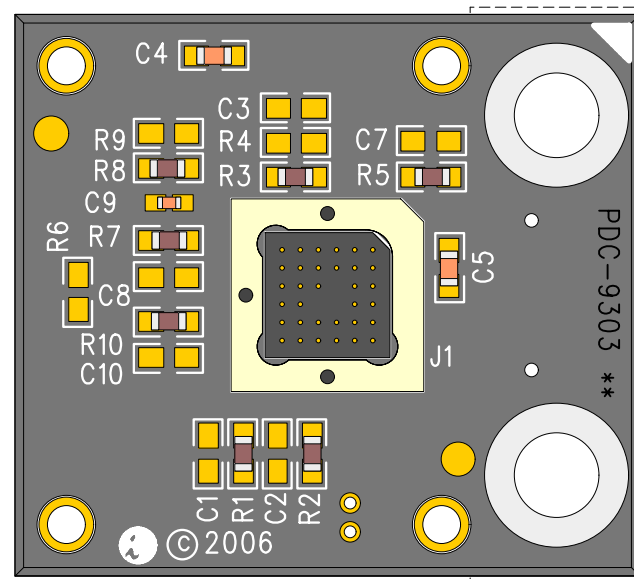
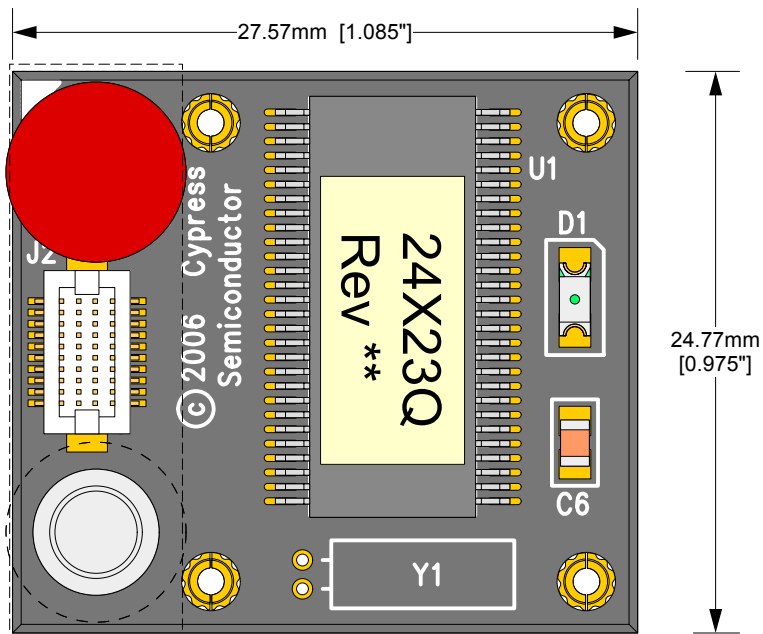


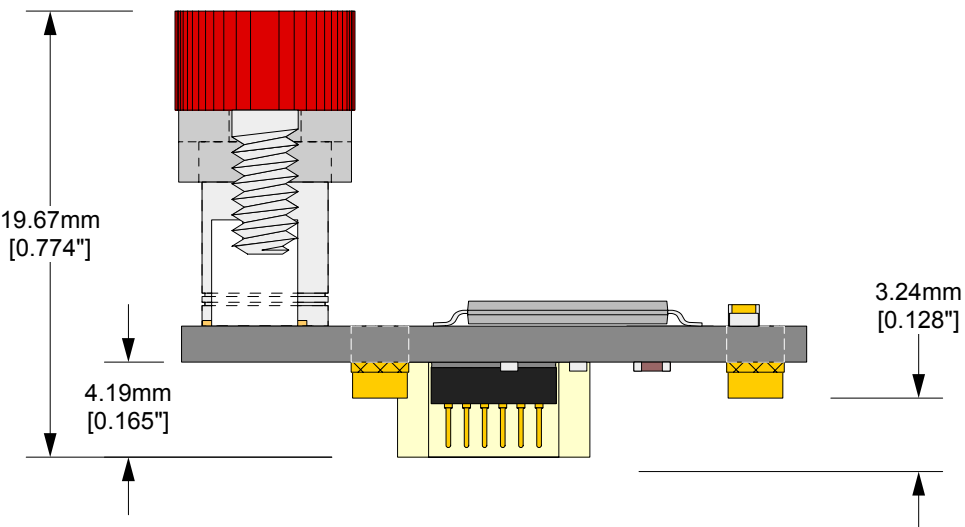
PROPRIETARY INFORMATION:


Information contained in this drawing is confidential. Copying, distributing or use in any matter, other than that specified by IRONWOOD ELECTRONICS, INC., is strictly prohibited and may be unlawful. If you have received this drawing in error, please destroy or return to IRONWOOD ELECTRONICS, INC. at the address listed below.



RoHS COMPLIANT

Description: CY3250-24X23AQFN POD
SSOP56 OCD (CY8C24000A-24PVX1).
Hirose cable connector with retention mechanism included.
Compatible with:
SF-QFN32A-L-01, 32 pin, 0.5mm, 8mm body, QFN foot



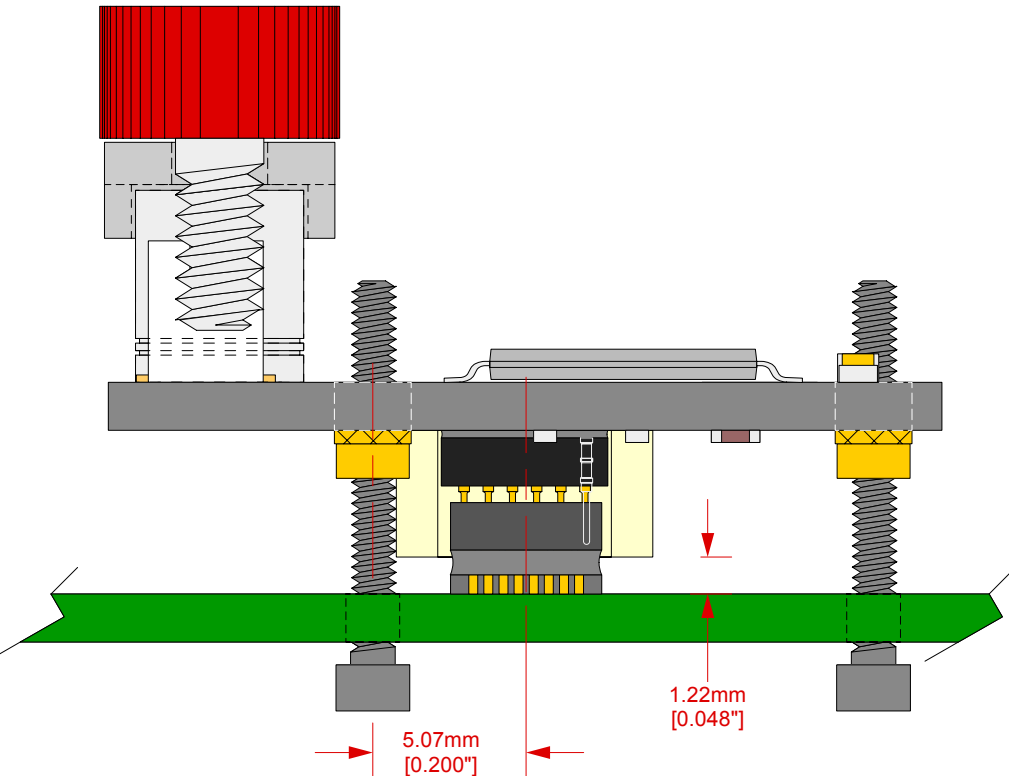
EA-8C24000A-Q32-01 Drawing			Page: <u>1</u> of 2	
	© 2006 IRONWOOD ELECTRONICS, INC. PO BOX21151 ST. PAUL, MN 55121 Tele: (651) 452-8100 www.ironwoodelectronics.com	Status:	Scale: <u>3:1</u>	Rev: C
	Drawing: M. Tully	Date: 1/30/06		
File: EA-8C24000A-Q32-01 Dwg	Modified: 4/10/06			

Tolerances: diameters $\pm 0.03\text{mm}$ [± 0.001 "],
PCB perimeters $\pm 0.13\text{mm}$ [± 0.005 "],
PCB thicknesses $\pm 0.18\text{mm}$ [± 0.007 "],
pitches (from true position) $\pm 0.08\text{mm}$ [± 0.003 "],
all other tolerances $\pm 0.13\text{mm}$ [± 0.005 "]
unless stated otherwise. Materials and
specifications are subject to change without notice.

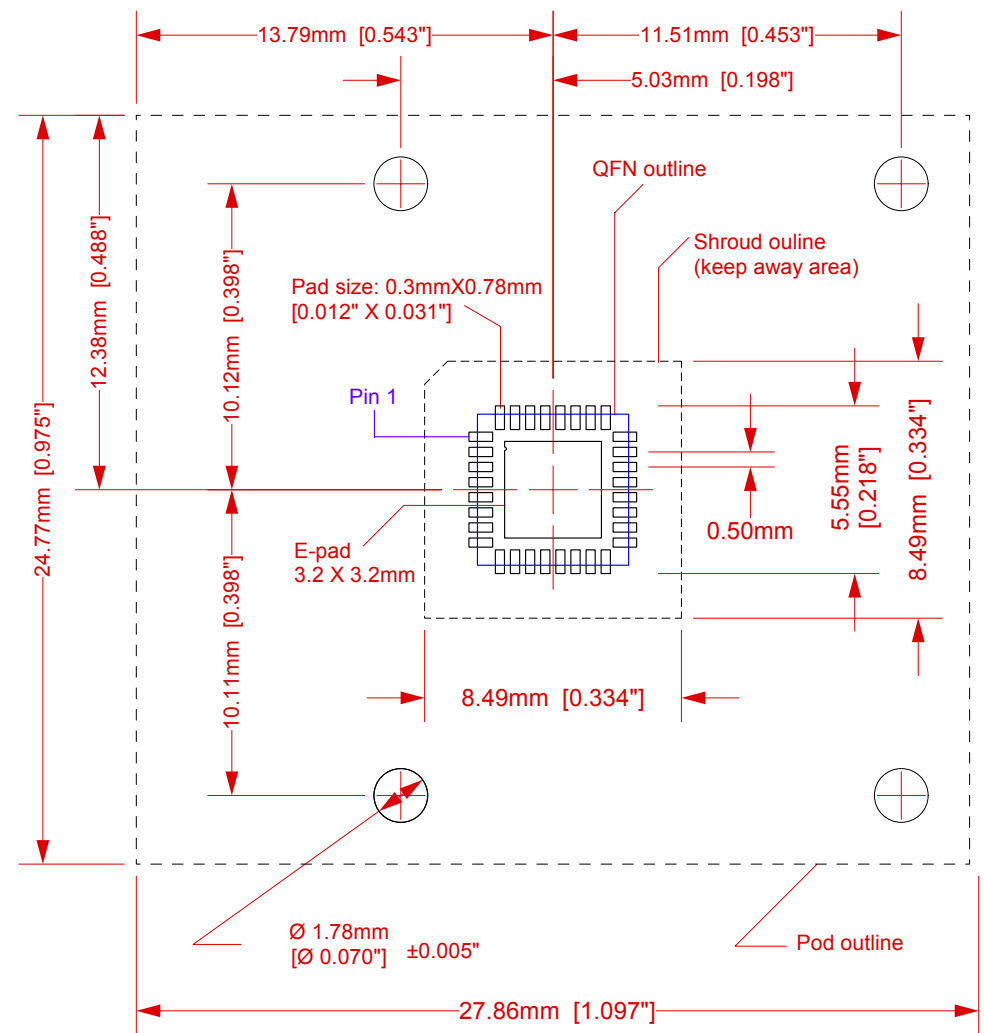
Strain Relief Hardware mounting directions

If the target board can be designed to accommodate the strain relief hardware, layout the PCB with the pattern shown on the right. The layout shows the location of non-plated holes through the board relative to the QFN land pattern.

If holes can not be added to the target board, the screws can be used as standoffs and sit on the top surface of the target PCB.




Side view: CY3250-24x23AQFN Pod on QFN32 foot



Top View: Target Board component layout

notes:

- 1) Do not place components within the shroud outline unless they have a 0.035" height or less off the target board and are outside the QFN package outline
- 2) All components under the POD outline must have a 0.190" height or or less from the top of target board to avoid components on the bottom of the POD board.

	EA-8C24000A-Q32-01 Drawing	Status:	Scale: 4:1	Rev: C
	© 2006 IRONWOOD ELECTRONICS, INC. PO BOX21151 ST. PAUL, MN 55121 Tele: (651) 452-8100 www.ironwoodelectronics.com	Drawing: M. Tully		Date: 1/30/06
		File: EA-8C24000A-Q32-01 Dwg	Modified: 4/10/06	

Tolerances: diameters $\pm 0.03\text{mm}$ [± 0.001 "], PCB perimeters $\pm 0.13\text{mm}$ [± 0.005 "], PCB thicknesses $\pm 0.18\text{mm}$ [± 0.007 "], pitches (from true position) $\pm 0.08\text{mm}$ [± 0.003 "], all other tolerances $\pm 0.13\text{mm}$ [± 0.005 "] unless stated otherwise. Materials and specifications are subject to change without notice.