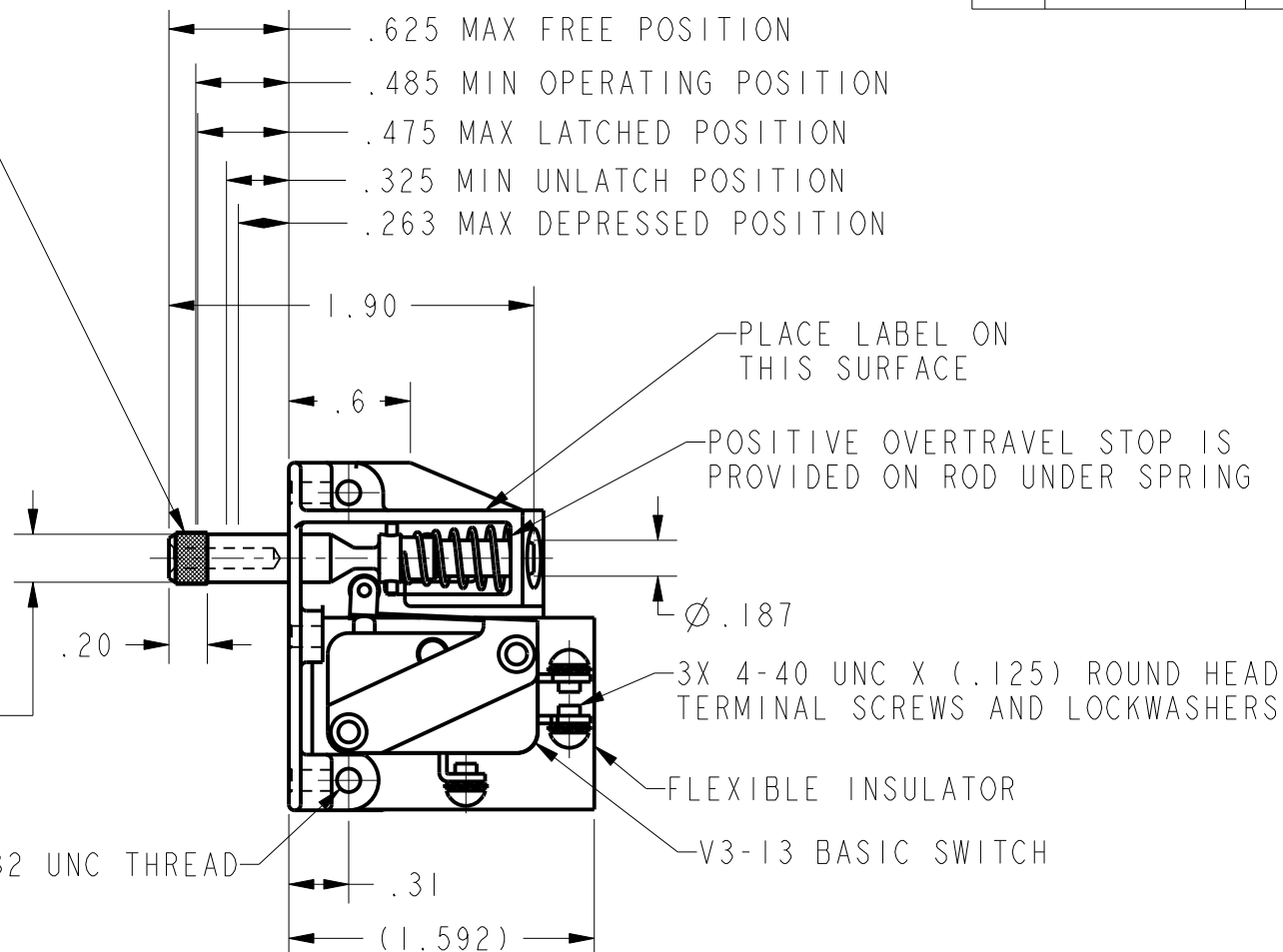
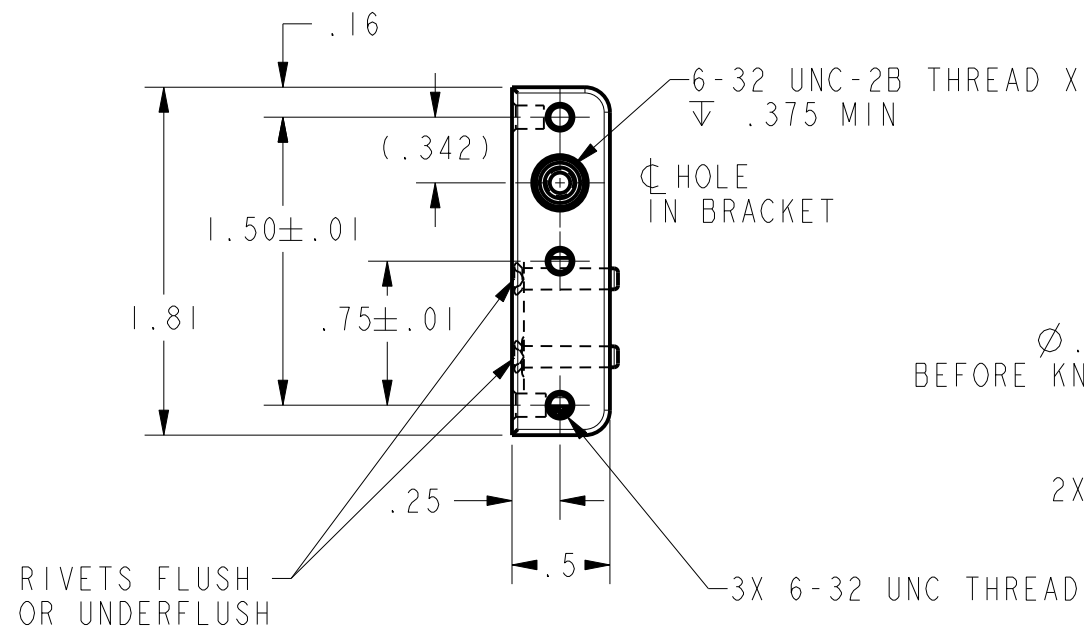


HONEYWELL
PART NUMBER

13AC1

REV	DOCUMENT	CHANGED BY	CHECK
11	0036921	SS 25JAN08	BLR

PUSH TO OPERATE- RETURNS AUTOMATICALLY TO POSITION SHOWN
PUSH AND TURN (APPROXIMATELY 60° CLOCKWISE) TO LATCH. REMAINS IN OPERATED POSITION UNTIL RESET FOR AUTOMATIC RETURN BY NEXT PUSH OPERATION $\triangle 3$



ELECTRICAL DATA

CONTACT ARRANGEMENT
S P D T

15.1A 1/2HP 125, 250 VAC
1/2A 125 VDC, 1/4A 250 VDC
5A 125 VAC "L"

CHARACTERISTICS

TOTAL TRAVEL - .360 APPROX
FULLY DEPRESSED FORCE - 4 LBS MAX

NOTES

- 1 - PLASTIC PARTS ARE MADE OF MINERAL FILLED PHENOLICS
 - 2 - WITH ROD IN ACTUATED POSITION, BASIC SWITCH PLUNGER MUST HAVE .010 MIN OVERTRAVEL AND WITH ROD IN FREE POSITION BASIC SWITCH PLUNGER MUST HAVE .005 MIN RELEASE TRAVEL
- $\triangle 3$ PLUNGER MUST BE DEPRESSED TO WITHIN .325 FROM THE FRONT SURFACE OF MOUNTING BRACKET TO ASSURE RESET FOR AUTOMATIC RETURN

DESIGN UNITS: INCH TOLERANCES UNLESS NOTED:	DRAWN	SS	25JAN08	Honeywell				
	CHECK	BLR	25JAN08					TITLE
NO PLACES X ± ONE PLACE .X ± TWO PLACE .XX ± THREE PLACE .XXX ± ANGLES X ±	- THIS DRAWING COVERS A PROPRIETARY ITEM AND IS THE PROPERTY OF HONEYWELL. THIS DRAWING IS NOT TO BE COPIED OR USED WITHOUT THE PERMISSION OF HONEYWELL.			ASSEMBLY, SWITCH				
THIRD ANGLE PROJECTION	INTERPRET PER ANSI Y14.5M-1982 OTHER HONEYWELL ENGINEERING STANDARDS MAY APPLY			SIZE	TYPE	CAGE CODE	DRAWING NAME	REV
	Pro/ENGINEER 3D			B	I	-	13AC1	11
				SCALE	1:1		SHEET	1 OF 1