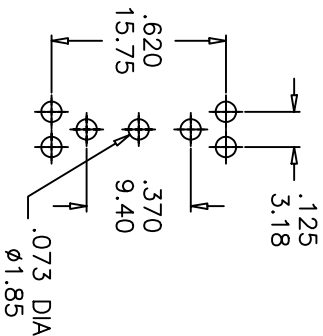


**P.C.MOUNTING**



Model No.	POS.1	POS.2	POS.3
1MS5 Term. Comm.	ON	OFF	MOM
SCHEMATIC	2 Comm. 3	OPEN	1 2 Comm. 3

**SWITCH FUNCTION**

**RATING :**

R : 0.4 Volt-Amps(VA) max. @20V max.(AC or DC)  
 Q : 2Amps @250VAC  
 5Amps @120 VAC or 28 VDC

**德利威電子股份有限公司**  
**DAILYWELL ELECTRONICS CO.,LTD.**

**SPECIFICATIONS**  
**ELECTRICAL LIFE:** 40,000 make-and-break cycles at full load.  
**CONTACT RESISTANCE:** 10m Ω max. initial @ 2-4VDC  
 100mA for both silver and gold plated contacts.  
**INSULATION RESISTANCE:** 1,000M Ω min.  
**DIELECTRIC STRENGTH:** 1,000 V RMS@sea level.  
**OPERATING TEMPERATURE:** -30 ° C to 85 ° C.

**MATERIALS**  
**CASE:** Dially phthalate (DAP) (UL94v-0).  
**ACTUATOR:** Brass,chrome plated.  
**BUSHING:** Brass,nickel plated.  
**HOUSING:** Stainless Steel.  
**TERMINAL/CONTACT:**Silver or gold plated.  
**SWITCH SUPPORT:** Brass , Tin plated.

符號	原尺寸	修改後尺寸	變更日期
1	(A)		
2	(B)		
3	(C)		
4	(D)		
5	(E)		

SCALE (比例) :	3 : 2
TOLERANCE (公差) :	0.00 mm ± 0.25mm
ANGULAR : ±	2.54 mm
FILE NAME :	1MSP0384

TITLE 圖名	Miniature Toggle Switches <th>SIZE 圖紙</th> <td>A4</td>	SIZE 圖紙	A4
DWG NO. 圖號	1MS5T2B4VS2RE	UNIT 單位	inch mm
REV. 版本	A	DATE 日期	MAY - 26 - 2003
CHECKED BY 審核	Jack	DRAWN BY 製圖	BLUE
SHEET 張數	1 of 1		