

# modular enclosure MUREVA, IP65

## aesthetics

- Elegant and robust design.
- Colour easy to integrate in any environment.

## multi-functional

- Different solutions for: industrial control, electrical distribution, automation, etc.
- 

## evolutionary

- Add-on possibility.
- The association kit allows the cable passage while maintaining IP65.

## ergonomics and time saving

- Ample space allowing clear cable assembly.
- Easy to label.
- Back with PG and ISO concentric knock-outs.
- Removable chassis.
- Screwed or clipped terminals.

## security

- Total insulation (class 2).
- Heat resistance: 750 °C.
- Halogen free.
- Provision of earthing terminals in all models.
- Can be sealed and/or locked.

## complete range

- From economical mini-enclosures of reduced dimensions, up to 54 modules available.
- Polyvalent enclosures for non-modular equipment.
- Wide range of accessories.

## robust and weatherproof

- IP65 as per IEC 60529: protection against ingress of solid bodies and liquid.
- IK09 as per EN 50102: protection against shocks.

## flexibility

- A large number of configurations are possible.
- Possibility of combine modular and non-modular devices.

## weatherproof & versatile enclosures



# modular enclosure MUREVA, IP65

suitable for all the environments



■ **Kitchens:** humid environments.



■ **Harbours, seaside:** saline & corrosive atmosphere.



■ **Fairs, amusement park:** outdoor.



■ **Greenhouses:** humid and dusty places.



■ **Garages, parking lot:** atmospheres plenty of dust and smoke.



■ **Swimming pool:** humid and chlorinated ambiance.

## mini-ED

- Weatherproof mini-enclosures for modular switchgear, economic and compact.



## ED

- Weatherproof enclosures for modular switchgear. up to 54 modules. With 1, 2 or 3 lines of 12 or 18 modules.



## mixta

- Provides a row for modular switchgear and a zone to install non-modular switchgear.



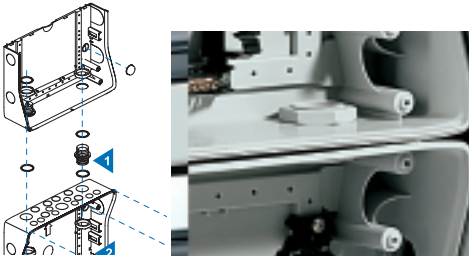
## universal

- The opaque door versatile enclosure provides a zone to install non-modular switchgear.

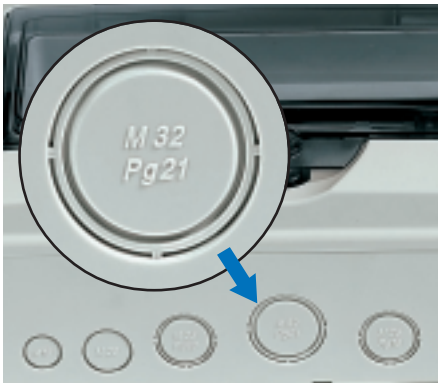


# modular enclosure MUREVA, IP65

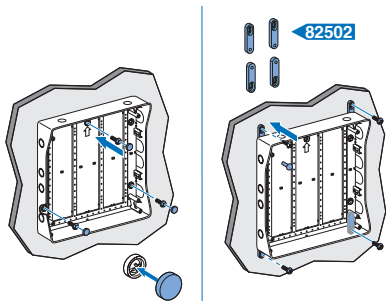
## enclosure's characteristic



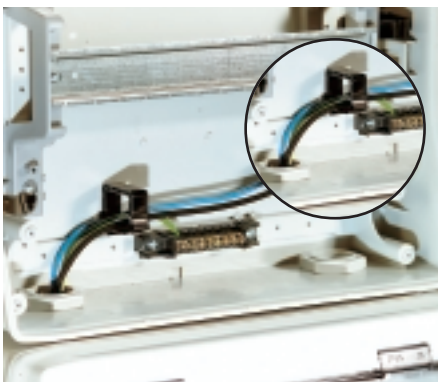
■ The Coupling kit can be used to combine two enclosures while maintaining IP65 and allowing the cable passage.



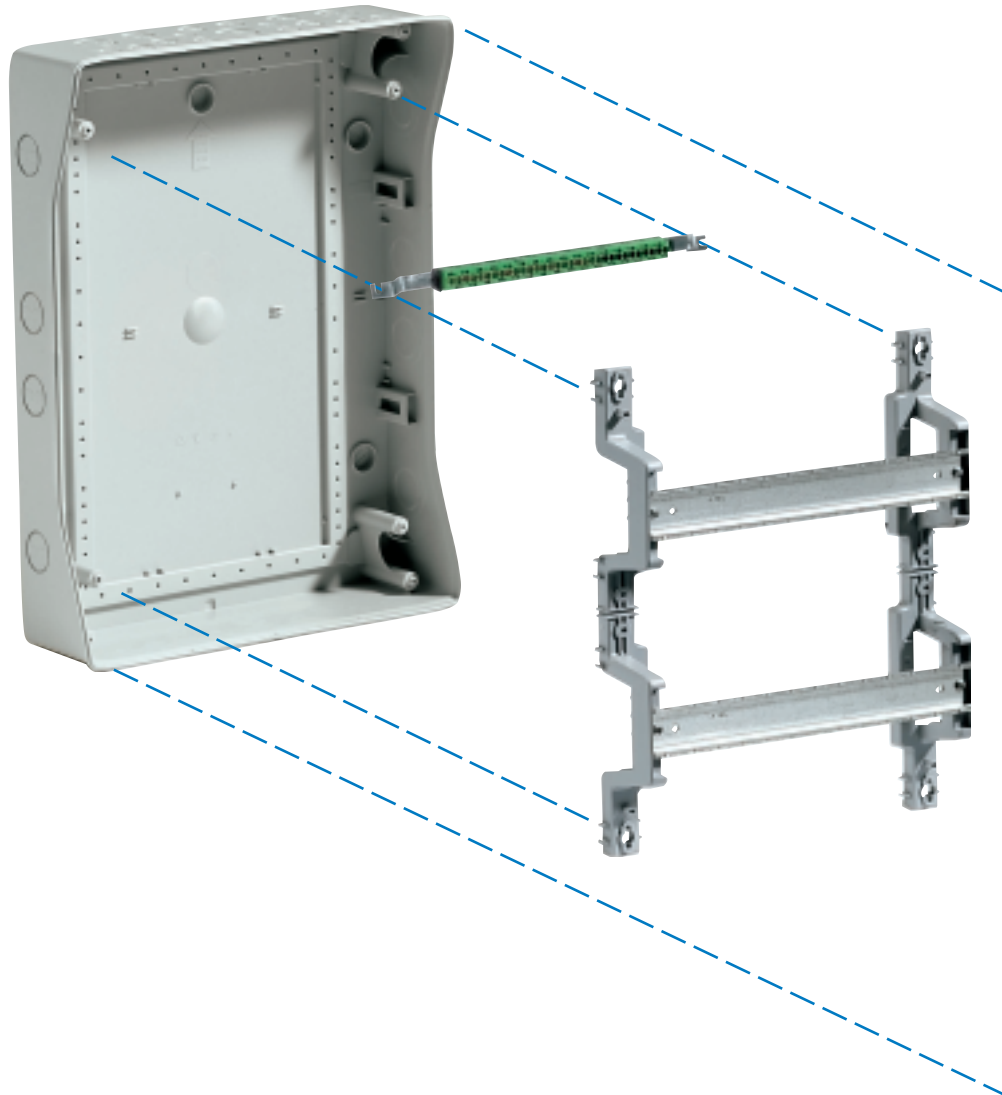
■ Back with PG and ISO concentric knock-outs.



■ Direct wall fixing by means of the holes in the rear of enclosure or with use of the wall fixing brackets.

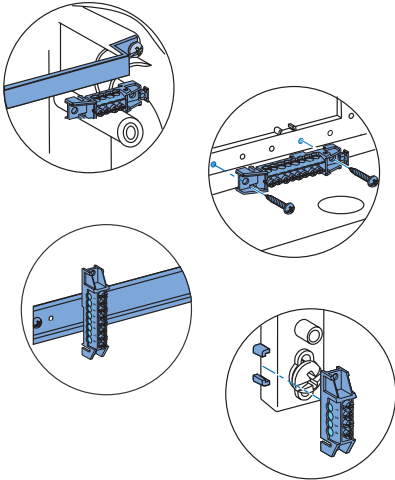


■ Wiring strap used for simplified cabling.

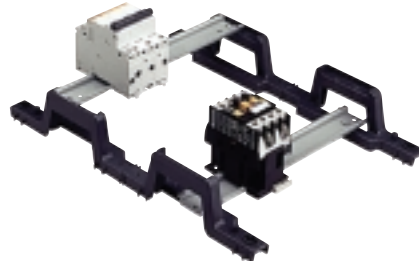


■ Labels for a clear and easy identification.

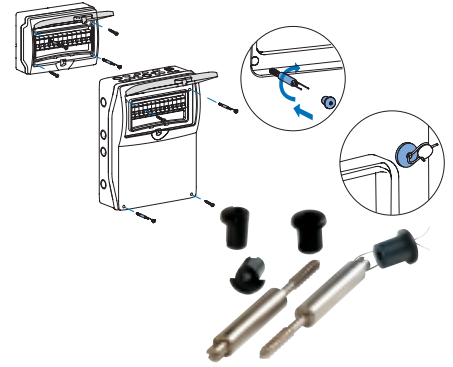
# modular enclosure MUREVA, IP65



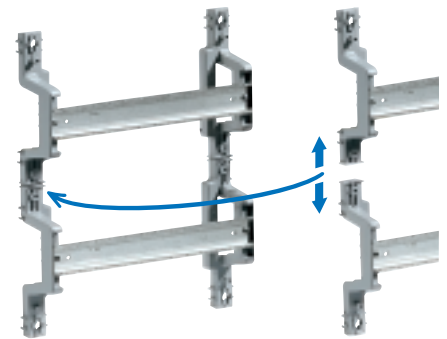
■ Screwed or clipped terminals block.



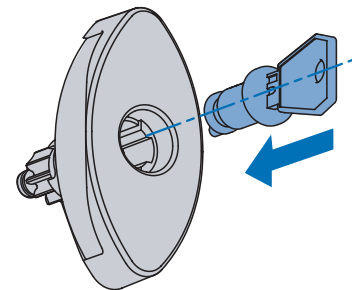
- Easy chassis removable allowing quick cabling and components assembly.
- Two possible depth position for rail assembly.



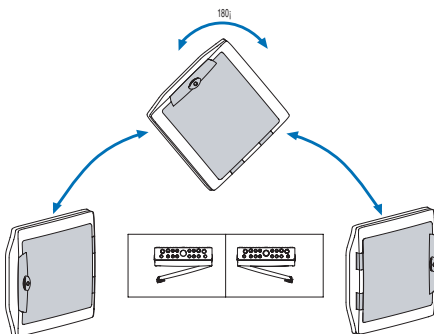
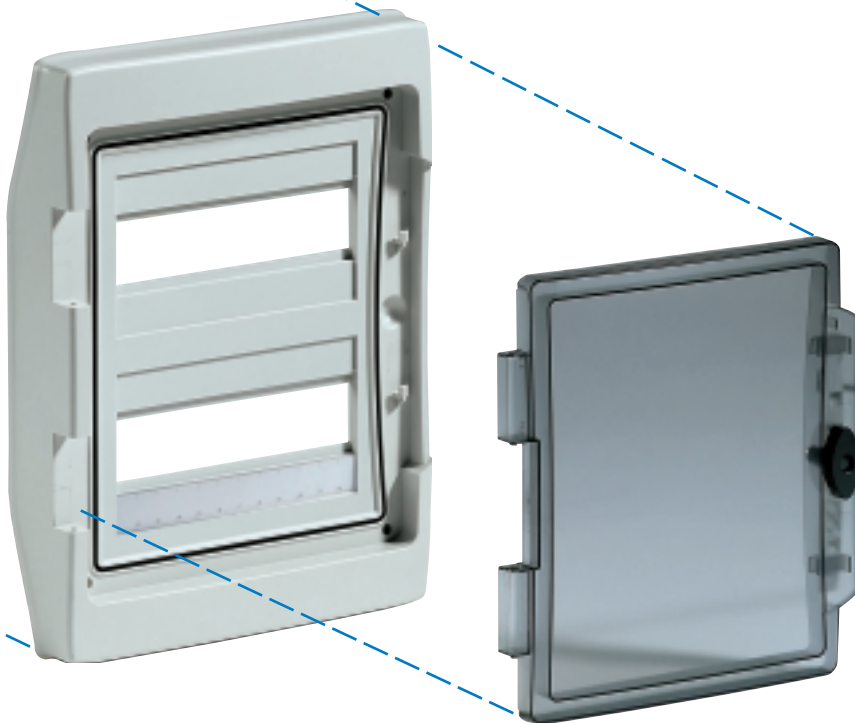
■ Security kit used to seal the front face.



■ The chassis can be cut allowing the installation of a mounting plate for non-modular switchgear.



■ Optional keylock available for further security.



■ Reversible front section allowing lid to be open left or right.



■ Quick hinges disassembly allowing easy removal of the lid.

# modular enclosure MUREVA, IP65

## mini-ED

Weatherproof mini-enclosures for modular switchgear, economic and compact.

### technical data

- Self-extinguishing insulating material, flame and abnormal heat resistance: 750 °C as per IEC 60695-2-1.
- Operating temperature: -25 °C to +60 °C.
- Color: light grey RAL 7035 and semi-transparent door.
- IP65 as per IEC 60529.
- IK09 as per EN 50102.
- Class 2: total insulation.
- Complies with standard IEC 60439-3 (low voltage switchgear and control assemblies).
- Resistance to chemicals and atmospheric agents.
- Stainless steel screws.

### constructive characteristics

- Clip-on terminal block support.
- Provision of additional neutral or earthing terminals in all models.
- Possibility of coupling two enclosures while maintaining IP65 and allowing the cable passage.
- Back with PG and ISO concentric knock-outs.
- Optional keylock available for further security.
- Possibility of seal the front face.

### Delivered with

- Terminal block support.
- Earth terminal block.
- Marking kit.
- Caps for class 2 isolation.

mini modular.tif



### references

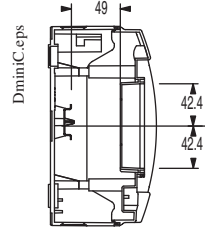
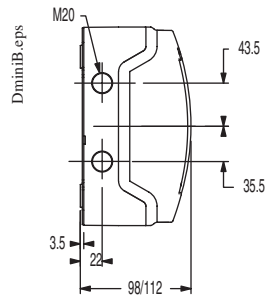
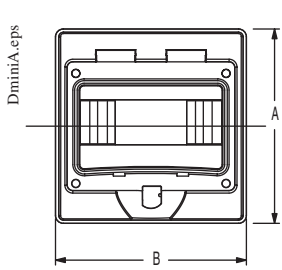
external dimensions (mm)					
height	width	depth	reference	number of modules	number of rows
150	80	98	<b>82001</b>	3	1
200	123	112	<b>82002</b>	4	1
200	159	112	<b>82003</b>	6	1
200	195	112	<b>82004</b>	8	1
200	267	112	<b>82005</b>	12	1

### number of terminal blocks delivered with a box

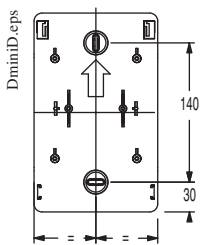
reference	number of modules	number of rows	earth terminal block	terminal support
<b>82001</b>	3	1	4 holes	–
<b>82002</b>	4	1	4 holes	1
<b>82003</b>	6	1	8 holes	1
<b>82004</b>	8	1	8 holes	1
<b>82005</b>	12	1	16 holes	1

# modular enclosure MUREVA, IP65

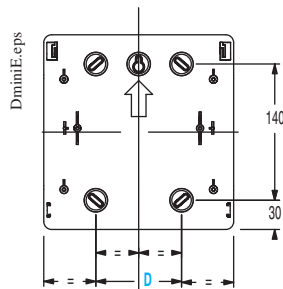
## enclosures mini-ED



3, 4 and 6 modules

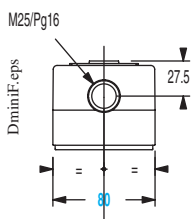


8 and 12 modules

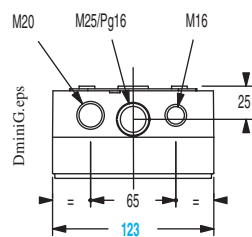


reference	external dimensions (mm)			number of modules	D	weight (g)
	height (A)	width (B)	depth (C)			
82001	150	80	98	3	-	300
82002	200	123	112	4	-	450
82003	200	159	112	6	-	500
82004	200	195	112	8	88	700
82005	200	267	112	12	160	900

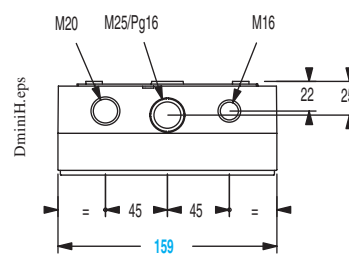
3 modules



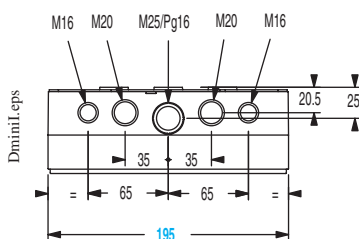
4 modules



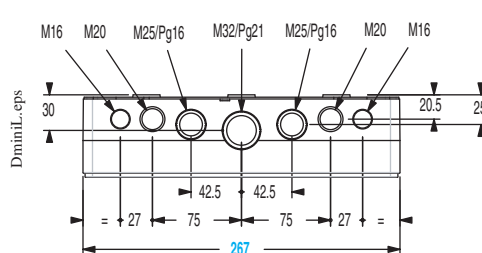
6 modules



8 modules



12 modules



# modular enclosure MUREVA, IP65

## modular enclosure

Weatherproof enclosures for modular switchgear.

Up to 54 modules. With 1, 2 or 3 lines of 12 or 18 modules.

## technical data

- Self-extinguishing insulating material, flame and abnormal heat resistance: 750 °C as per IEC 60695-2-1.
- Operating temperature: -25 °C ... +60 °C.
- Colour: light grey RAL 7035 and semi transparent door.
- IP65 as per IEC 60529.
- IK09 as per EN 50102.
- Class 2: Total insulation.
- Complies with standard IEC 60439-3 (low voltage switchgear and control assemblies).
- Resistance to chemicals and atmospheric agents.
- Stainless steel screws.

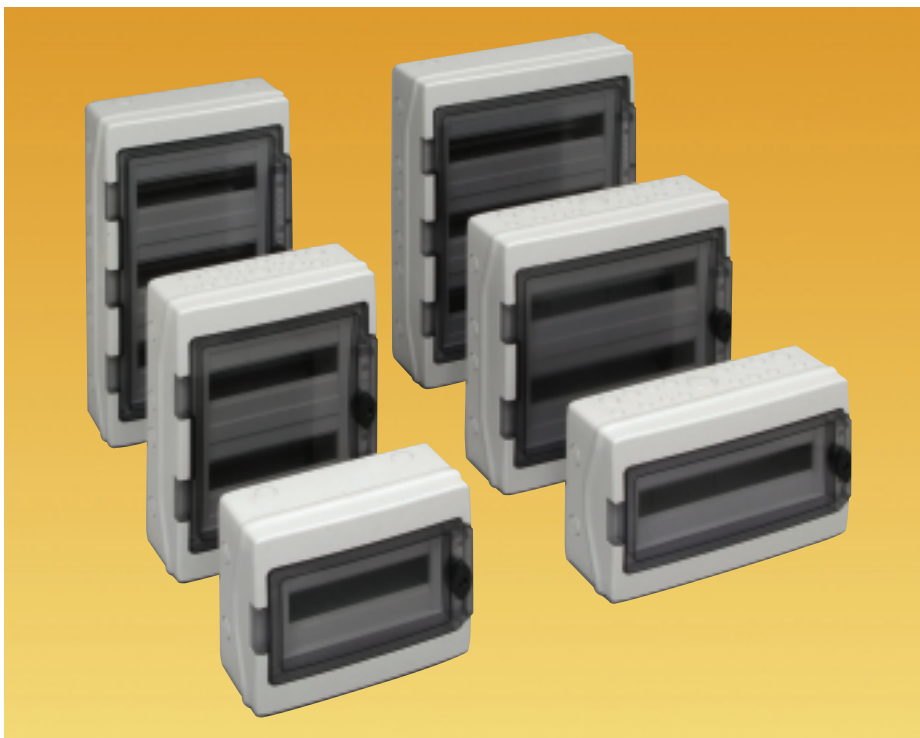
## constructive characteristics

- Reversible front face for opening of door to the left or right.
- Screwed terminal block support.
- Provision of additional neutral or earthing terminals in all models.
- Possibility of coupling two enclosures while maintaining IP65 and allowing the cable passage.
- Back with PG and ISO concentric knock-outs.
- Direct wall fixing by means of the holes in the rear of enclosure or with use of the wall fixing brackets (not included).
- Ergonomic and sure lock that allow the installation of a key for further security.
- Possibility of seal the front face.
- Possibility of adding wiring strap for simplified cabling.

## derived with

- Terminal block support.
- Earth terminal block.
- Marking kit.
- Wiring strap.
- Caps for class 2 isolation.
- Blanking plate (5 modules of 18 mm).

modular.tif



## references

external dimensions (mm)					
height	width	depth	reference	number of modules	number of rows
280	340	160	<b>82010</b>	12	1
280	448	160	<b>82020</b>	18	1
460	340	160	<b>82011</b>	24	2
460	448	160	<b>82021</b>	36	2
610	340	160	<b>82012</b>	36	3
610	448	160	<b>82022</b>	54	3

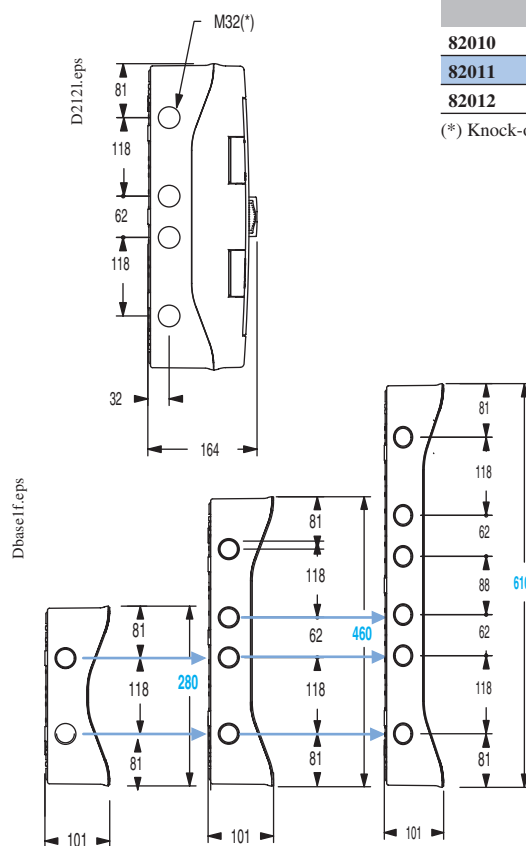
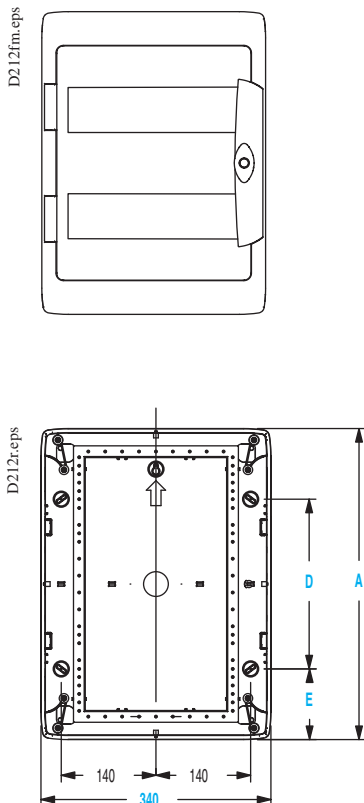
## number of terminal blocks delivered with a box

reference	number of modules	number of rows	earth terminal block	terminal support
<b>82010</b>	12	1	8 holes	1
<b>82020</b>	18	1	16 holes	1
<b>82011</b>	24	2	22 holes	1
<b>82021</b>	36	2	32 holes	1
<b>82012</b>	36	3	32 holes	1
<b>82022</b>	54	3	2x22 holes	2

# modular enclosure MUREVA, IP65

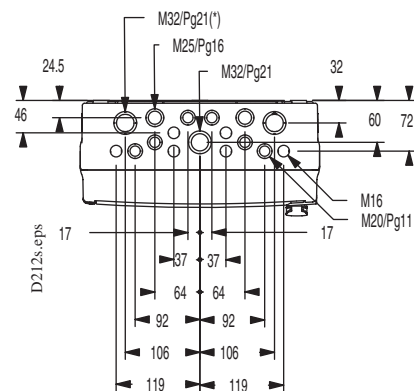
## modular enclosures

Width 12 modules

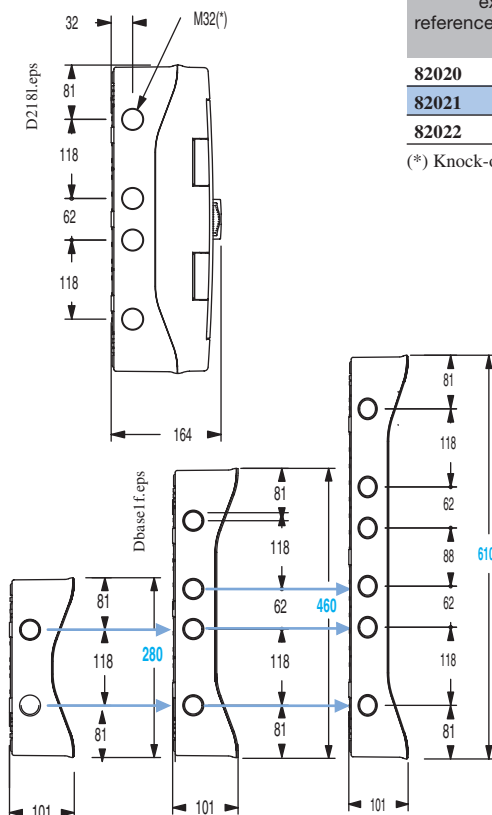
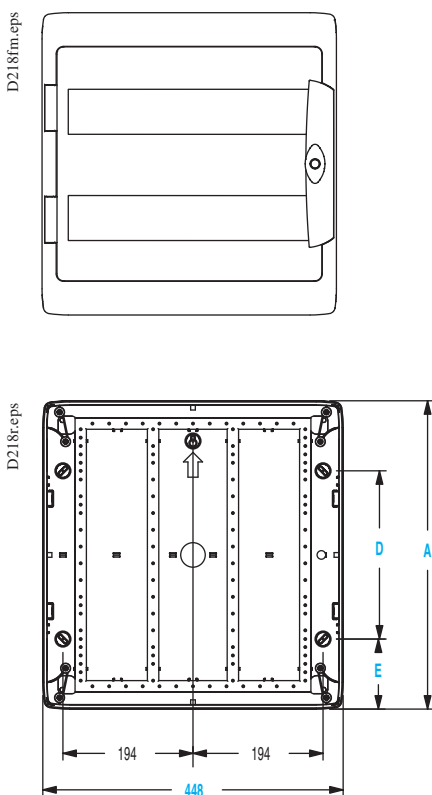


references	external dimensions (mm)			number of modules	D	E	weight (g)
	height (A)	width (B)	depth (C)				
82010	280	340	160	12	118	81	1900
82011	460	340	160	24	251	104,5	3100
82012	610	340	160	36	401	104,5	4100

(\*) Knock-outs for coupling enclosures.

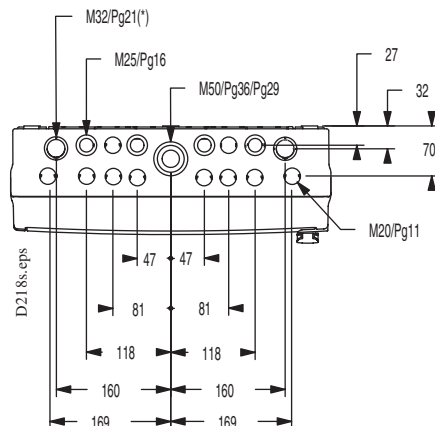


Width 18 modules



references	external dimensions (mm)			number of modules	D	E	weight (g)
	height (A)	width (B)	depth (C)				
82020	280	448	160	18	118	81	2400
82021	460	448	160	36	251	104,5	3850
82022	610	448	160	54	401	104,5	4150

(\*) Knock-outs for coupling enclosures.





# modular enclosure MUREVA, IP65

## mini-ED

Weatherproof mini-enclosures for modular switchgear, economic and compact.

### technical data

- Self-extinguishing insulating material, flame and abnormal heat resistance: 650 °C as per IEC 60695-2-1.
- Operating temperature: -25 °C to +60 °C.
- Color: light grey RAL 7035 and semi-transparent door.
- IP65 as per IEC 60529.
- IK09 as per EN 50102.
- Class 2: total insulation.
- Complies with standard IEC 60439-3 (low voltage switchgear and control assemblies).
- Resistance to chemicals and atmospheric agents.
- Stainless steel screws.

### constructive characteristics

- Clip-on terminal block support.
- Provision of additional neutral or earthing terminals in all models.
- Possibility of coupling two enclosures while maintaining IP65 and allowing the cable passage.
- Back with PG and ISO concentric knock-outs.
- Optional keylock available for further security.
- Possibility of seal the front face.

### Delivered with

- Terminal block support.
- Earth terminal block with green cover, neutral terminal block with blue cover.
- Marking kit.
- Caps for class 2 isolation.

mini.modulari.it



### references

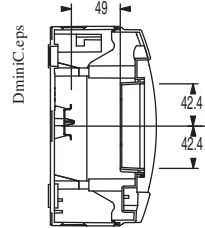
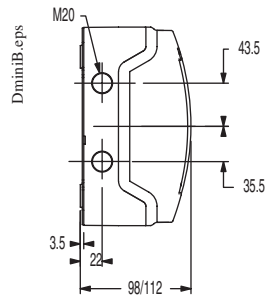
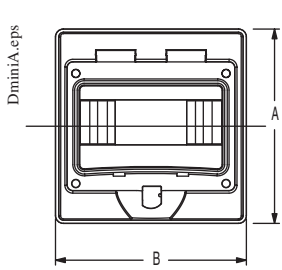
external dimensions (mm)						
height	width	depth	reference	number of modules	number of rows	
150	80	98	<b>82101</b>	3	1	
200	123	112	<b>82102</b>	4	1	
200	159	112	<b>82103</b>	6	1	
200	195	112	<b>82104</b>	8	1	
200	267	112	<b>82105</b>	12	1	

### number of terminal blocks delivered with a box

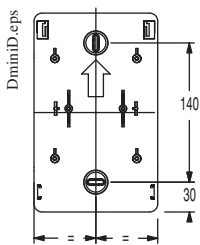
reference	number of modules	number of rows	terminal block		terminal support
			earth	neutral	
<b>82101</b>	3	1	4 holes	4 holes	–
<b>82102</b>	4	1	4 holes	4 holes	2
<b>82103</b>	6	1	8 holes	8 holes	2
<b>82104</b>	8	1	8 holes	8 holes	2
<b>82105</b>	12	1	16 holes	16 holes	2

# modular enclosure MUREVA, IP65

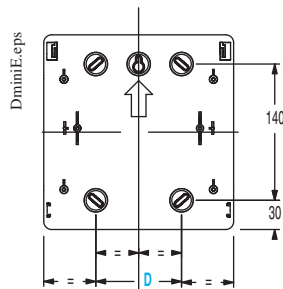
## enclosures mini-ED



3, 4 and 6 modules

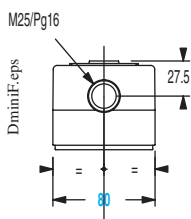


8 and 12 modules

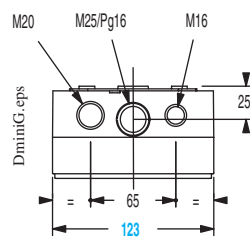


reference	external dimensions (mm)			number of modules	D	weight (g)
	height (A)	width (B)	depth (C)			
82101	150	80	98	3	-	300
82102	200	123	112	4	-	450
82103	200	159	112	6	-	500
82104	200	195	112	8	88	700
82105	200	267	112	12	160	900

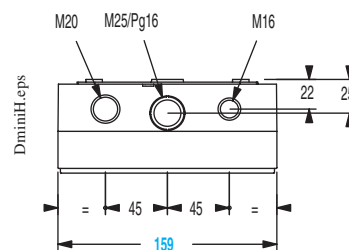
3 modules



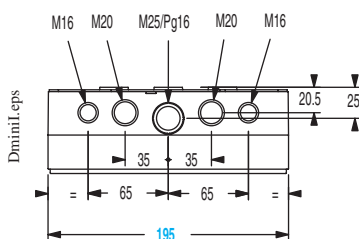
4 modules



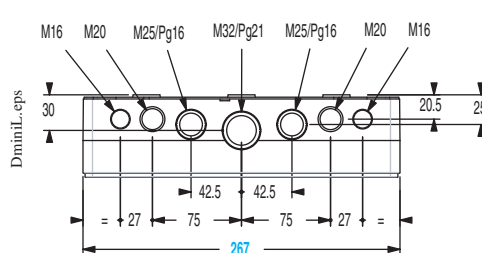
6 modules



8 modules



12 modules



# modular enclosure MUREVA, IP65

## modular enclosure

Weatherproof enclosures for modular switchgear.

Up to 54 modules. With 1, 2 or 3 lines of 12 or 18 modules.

## technical data

- Self-extinguishing insulating material, flame and abnormal heat resistance: 650 °C as per IEC 60695-2-1.
- Operating temperature: -25 °C ... +60 °C.
- Colour: light grey RAL 7035 and semi transparent door.
- IP65 as per IEC 60529.
- IK09 as per EN 50102.
- Class 2: Total insulation.
- Complies with standard IEC 60439-3 (low voltage switchgear and control assemblies).
- Resistance to chemicals and atmospheric agents.
- Stainless steel screws.

## constructive characteristics

- Reversible front face for opening of door to the left or right.
- Screwed terminal block support.
- Provision of additional neutral or earthing terminals in all models.
- Possibility of coupling two enclosures while maintaining IP65 and allowing the cable passage.
- Back with PG and ISO concentric knock-outs.
- Direct wall fixing by means of the holes in the rear of enclosure or with use of the wall fixing brackets (not included).
- Ergonomic and sure lock that allow the installation of a key for further security.
- Possibility of seal the front face.
- Possibility of adding wiring strap for simplified cabling.

## derived with

- Terminal block support.
- Earth terminal block with green cover, neutral terminal block with blue cover.
- Marking kit.
- Wiring strap.
- Caps for class 2 isolation.
- Blanking plate (5 modules of 18 mm).



## references

external dimensions (mm)

height	width	depth	reference	number of modules	number of rows
280	340	160	<b>82110</b>	12	1
280	448	160	<b>82120</b>	18	1
460	340	160	<b>82111</b>	24	2
460	448	160	<b>82121</b>	36	2
610	340	160	<b>82112</b>	36	3
610	448	160	<b>82122</b>	54	3

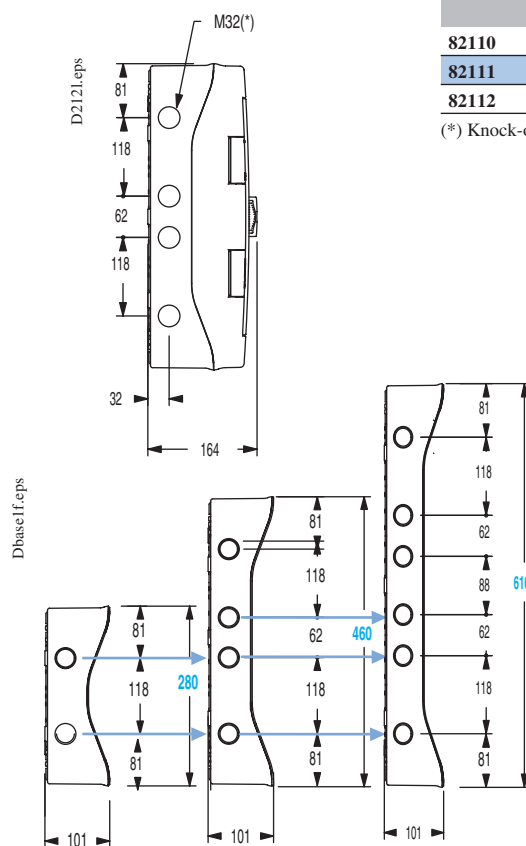
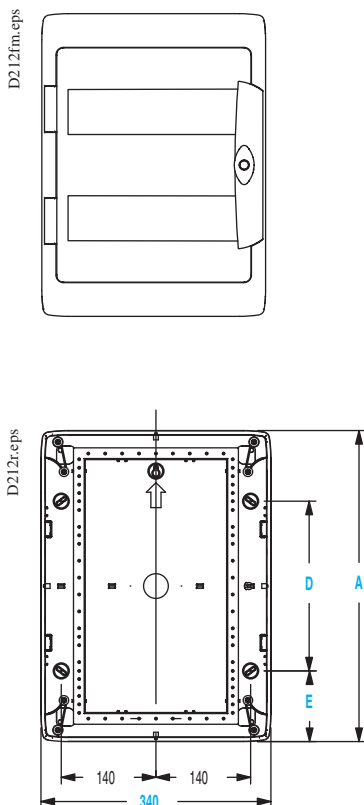
## number of terminal blocks delivered with a box

reference	number of modules	number of rows	terminal block		terminal support
			earth	neutral	
<b>82110</b>	12	1	8 holes	8 holes	2
<b>82120</b>	18	1	16 holes	16 holes	2
<b>82111</b>	24	2	22 holes	22 holes	2
<b>82121</b>	36	2	32 holes	32 holes	2
<b>82112</b>	36	3	32 holes	32 holes	2
<b>82122</b>	54	3	22+22 holes	22+22 holes	4

# modular enclosure MUREVA, IP65

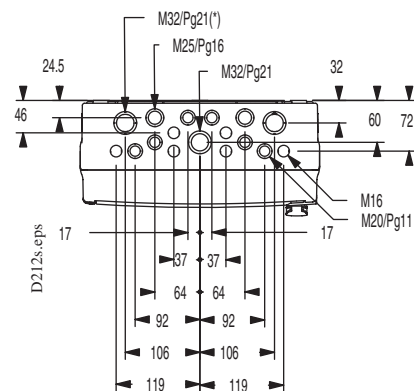
## modular enclosures

Width 12 modules

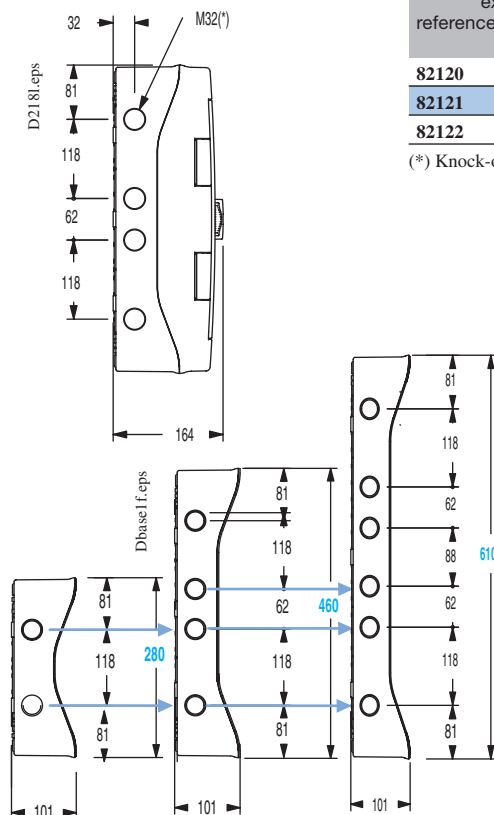
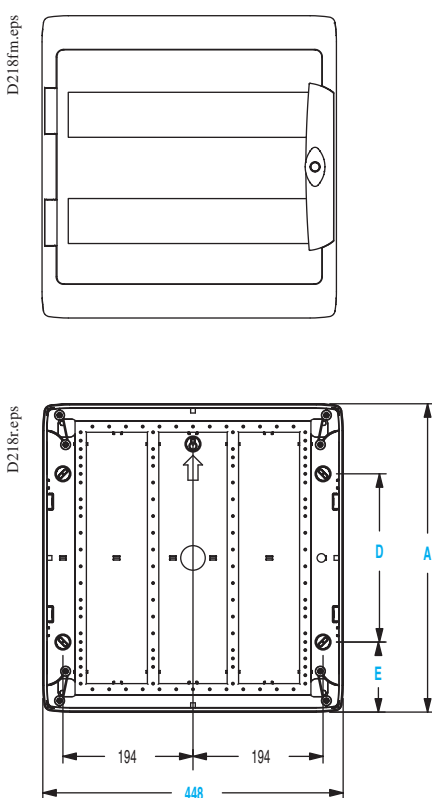


references	external dimensions (mm)			number of modules	D	E	weight (g)
	height (A)	width (B)	depth (C)				
82110	280	340	160	12	118	81	1900
82111	460	340	160	24	251	104,5	3100
82112	610	340	160	36	401	104,5	4100

(\*) Knock-outs for coupling enclosures.

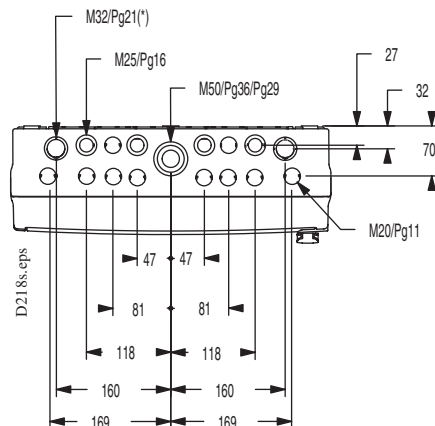


Width 18 modules



references	external dimensions (mm)			number of modules	D	E	weight (g)
	height (A)	width (B)	depth (C)				
82120	280	448	160	18	118	81	2400
82121	460	448	160	36	251	104,5	3850
82122	610	448	160	54	401	104,5	4150

(\*) Knock-outs for coupling enclosures.



# modular enclosure MUREVA, IP65

## mixte

The **mixed** enclosure provides a row for modular switchgear and a zone to install non-modular switchgear.

## technical data

- Self-extinguishing insulating material, flame and abnormal heat resistance: 750 °C as per IEC 60695-2-1.
- Operating temperature: -25 °C ... +60 °C.
- Colour: light grey RAL 7035 and semi transparent door.
- IP65 as per IEC 60529.
- IK09 as per EN 50102.
- Class 2: total insulation.
- Complies with standard IEC 60439-3 (low voltage switchgear and control assemblies).
- Resistance to chemicals and atmospheric agents.
- Stainless steel screws.

## mechanical data

- Ready to mount a plain chassis (not included) in the lower zone.
- Available depth for installation of non-modular switchgear on mounting plate: 130 mm.
- Screwed terminal block support.
- Provision of additional neutral or earthing terminals in all models.
- Possibility of coupling two enclosures while maintaining IP65 and allowing the cable passage.
- Back with PG and ISO concentric knock-outs.
- Direct wall fixing by means of the holes in the rear of enclosure or with use of the wall fixing brackets (not included).
- Ergonomic and sure lock that allow the installation of a key for further security.
- Possibility of seal the front face.
- Possibility of adding wiring strap for simplified cabling.

## delivered with

- Marking kit.
- Caps for class 2 isolation.
- Wiring strap.
- Set of 4 selftapping screws.

famiglia misti.tif



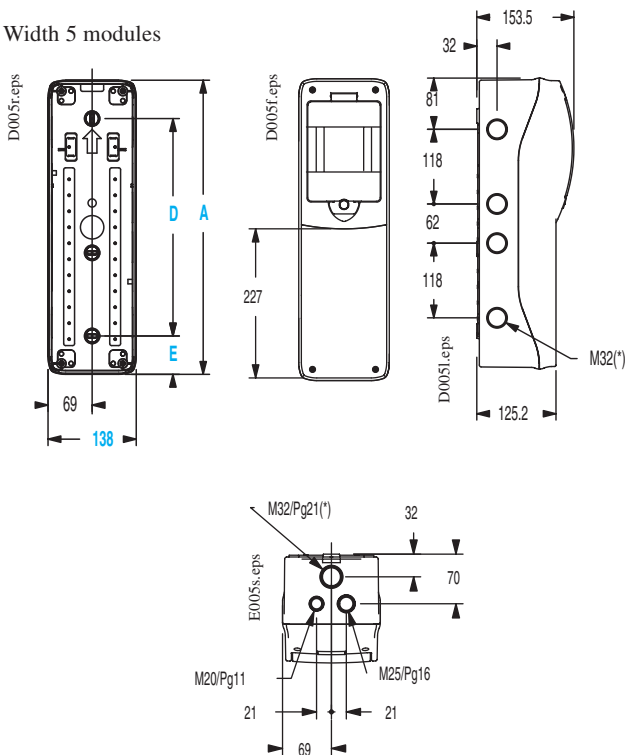
## references

external dimensions (mm)			reference	number of modules	number of rows	plain plate	perforated plate
height	width	depth					
335	340	160	<b>82052</b>	13	1		
460	138	160	<b>82050</b>	5	1	<b>82604</b>	<b>82614</b>
460	236	160	<b>82051</b>	8	1	<b>82604</b>	<b>82614</b>
460	340	160	<b>82053</b>	13	1	<b>82604</b>	<b>82614</b>

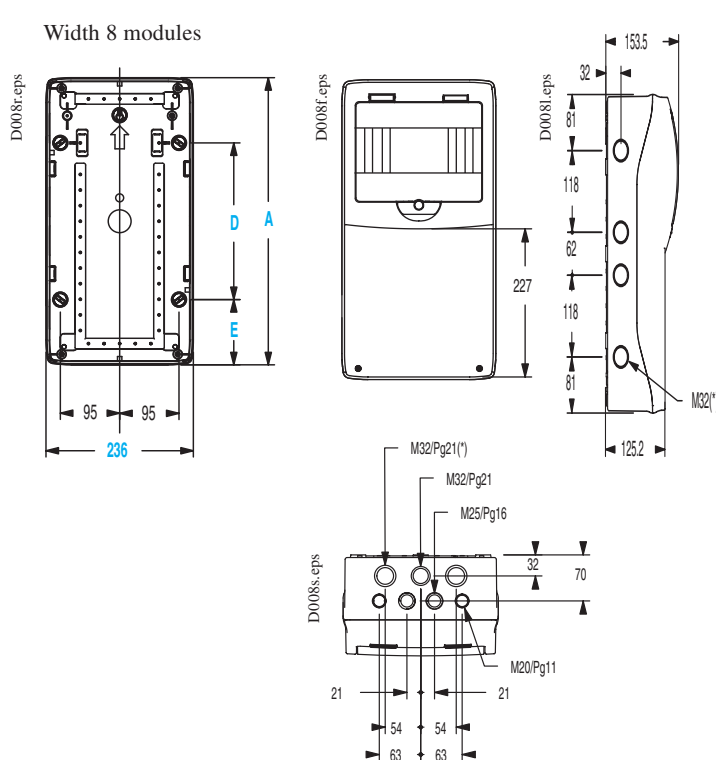
# modular enclosure MUREVA, IP65

## enclosure mixte

### Width 5 modules



### Width 8 modules



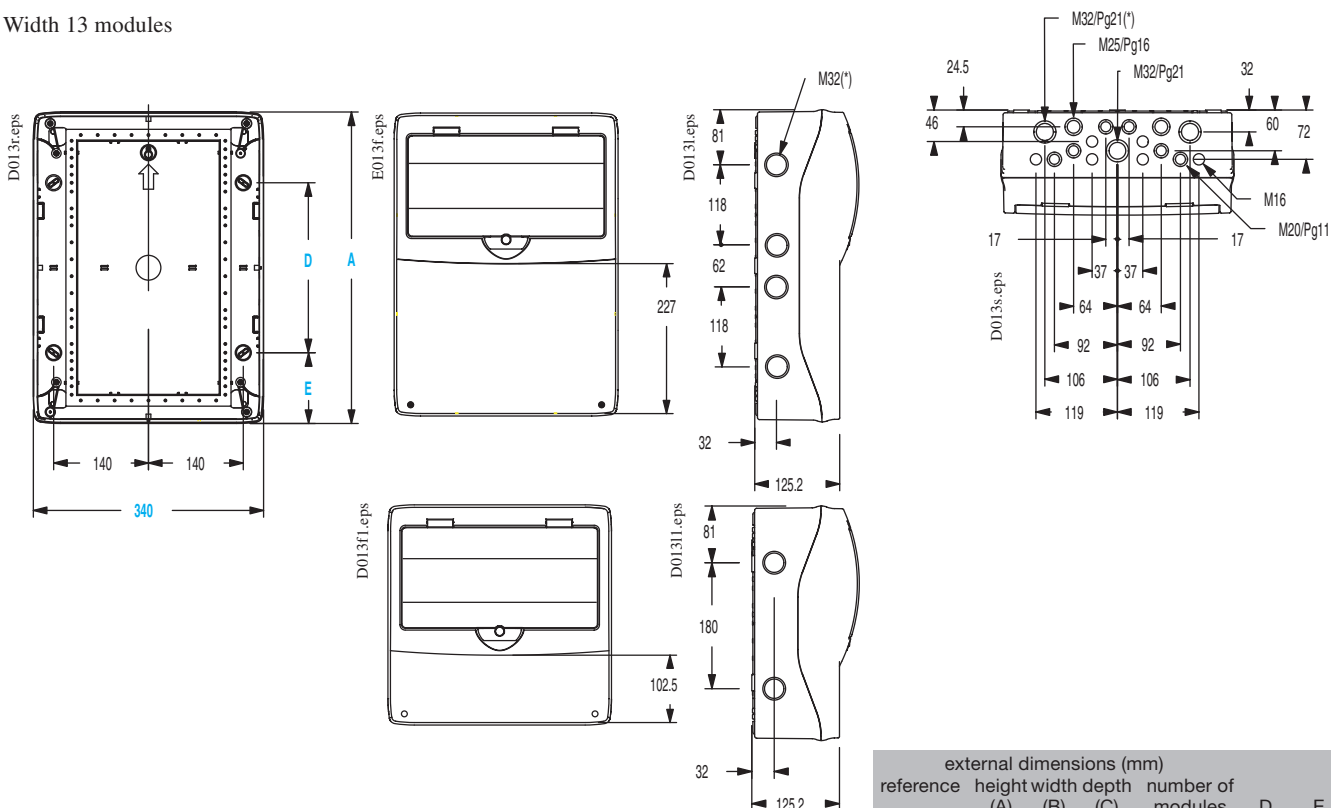
reference	external dimensions (mm)			number of modules	D	E	weight (g)
	height (A)	width (B)	depth (C)				
<b>82050</b>	460	138	160	5	340	60	1200

reference	external dimensions (mm)			number of modules	D	E	weight (g)
	height (A)	width (B)	depth (C)				
<b>82051</b>	460	236	160	8	251	104,5	1600

(\*) Knock-outs for coupling enclosures.

(\*) Knock-outs for coupling enclosures.

### Width 13 modules



reference	external dimensions (mm)			number of modules	D	E	weight (g)
	height (A)	width (B)	depth (C)				
<b>82052</b>	335	340	160	13	170	82,5	1800
<b>82053</b>	460	340	160	13	251	104,5	2500

(\*) Knock-outs for coupling enclosures.

# modular enclosure MUREVA, IP65

## universal

The opaque door versatile enclosure provides a zone to install non-modular switchgear.

## technical data

- Self-extinguishing insulating material, flame and abnormal heat resistance: 650 °C as per IEC 60695-2-1.
- Operating temperature: -25 °C ... +60 °C.
- Colour: light grey RAL 7035.
- IP65 as per IEC 60529.
- IK09 as per EN 50102.
- Class 2: Total insulation.
- Complies with standard IEC 60439-3 (low voltage switchgear and control assemblies).
- Resistance to chemicals and atmospheric agents.
- Stainless steel screws.

## mechanical data

- Ready to mount a plain chassis (not included) in the lower zone.
- Available depth for installation of non-modular switchgear on mounting plate: 130 mm.
- Screwed terminal block support.
- Provision of additional neutral or earthing terminals in all models.
- Possibility of coupling two enclosures while maintaining IP65 and allowing the cable passage.
- Back with PG and ISO concentric knock-outs.
- Direct wall fixing by means of the holes in the rear of enclosure or with use of the wall fixing brackets (not included).
- Ergonomic and sure lock that allow the installation of a key for further security.
- Possibility of seal the front face.
- Possibility of adding wiring strap for simplified cabling.

## derived with

- Caps for class 2 isolation.
- Set of 4 selftapping screws.

famiglia universali.tif



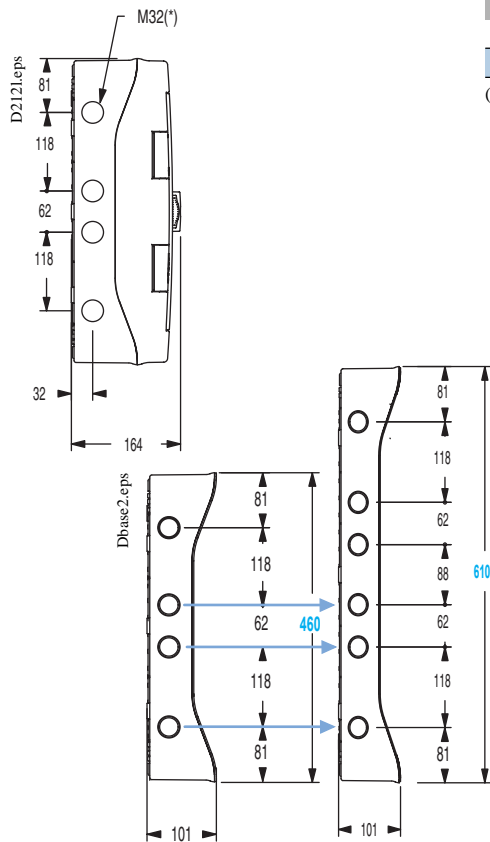
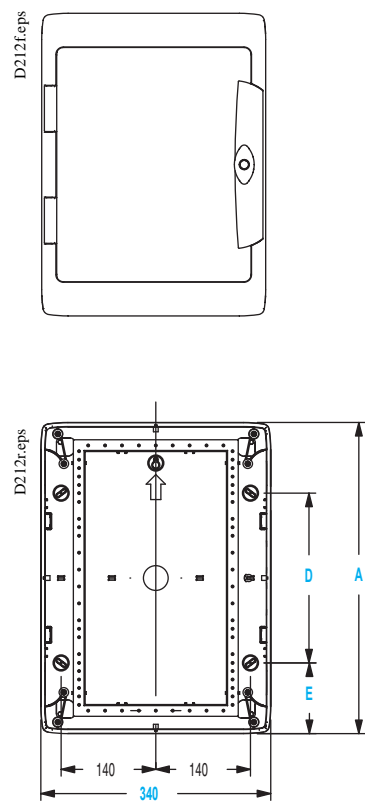
## references

external dimensions (mm)			reference	plain plate	perforated plate
height	width	depth			
460	340	160	<b>82060</b>	<b>82600</b>	<b>82610</b>
460	448	160	<b>82061</b>	<b>82601</b>	<b>82611</b>
610	340	160	<b>82062</b>	<b>82602</b>	<b>82612</b>
610	448	160	<b>82063</b>	<b>82603</b>	<b>82613</b>

# modular enclosure MUREVA, IP65

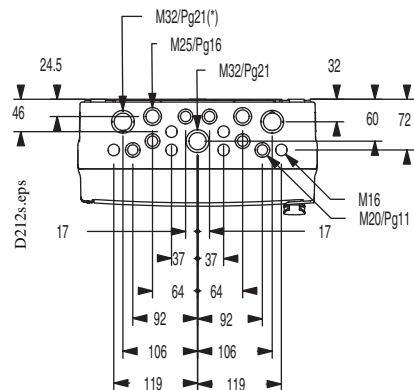
universal enclosures

Width 12 modules

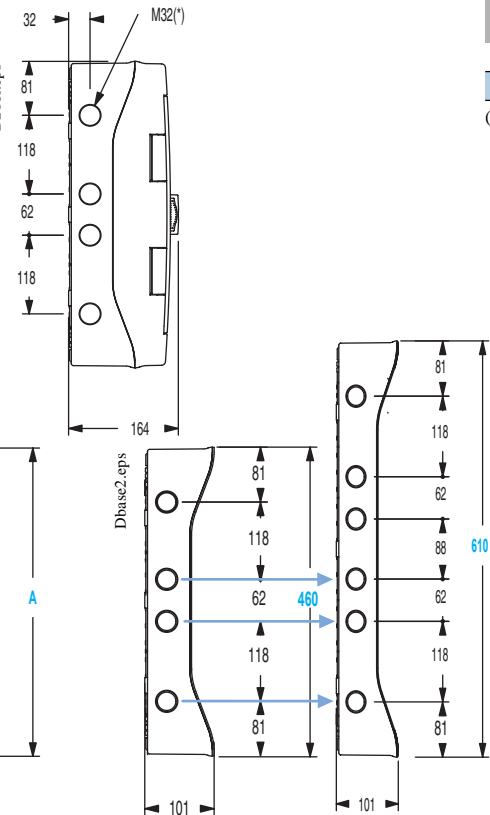
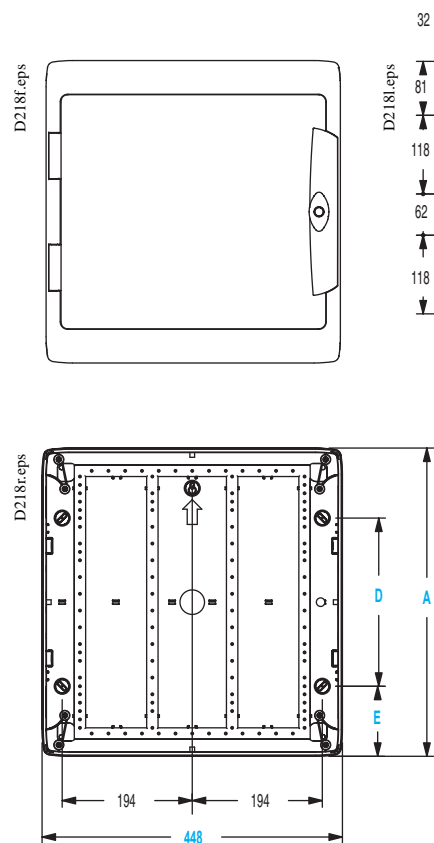


reference	external dimensions (mm)			D	E	weight (g)
	height (A)	width (B)	depth (C)			
82060	460	340	160	251	104,5	2500
82062	610	340	160	401	104,5	3500

(\*) Knock-outs for coupling enclosures.

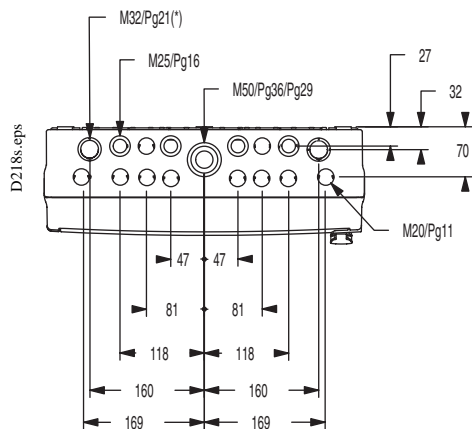


Width 18 modules



reference	external dimensions (mm)			D	E	weight (g)
	height (A)	width (B)	depth (C)			
82061	460	448	160	251	104,5	3250
82063	610	448	160	401	104,5	3650

(\*) Knock-outs for coupling enclosures.



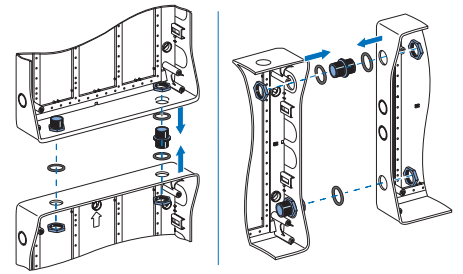


## association kit

- Used for horizontal or vertical coupling of two enclosures with one another while preserving IP65 and allowing the cable passage.
- Composed of 2 sleeves, 4 nuts and 4 joints.



reference	description
82502	association kit

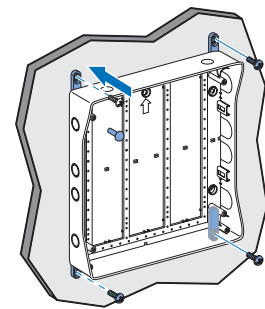


## wall fixing brackets

- Used to fix the enclosures to the wall without using holes in the back of the enclosure.
- Each bracket can be assembled in 3 different positions.
- Set of 4 wall fixing brackets.



reference	description
82501	wall fixing brackets

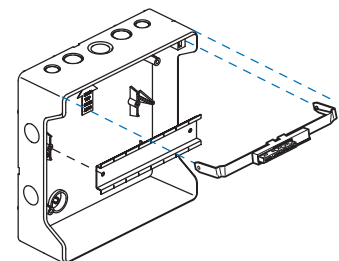


## terminal block support for mini enclosures

- Metallic terminal block support clip-on the bottom of the box.



number of modules	reference
4	82751
6	82752
8	82753
12	82754

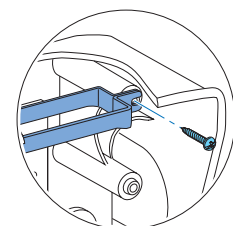


## terminal block support for enclosures onto pins

- Metallic.
- They can be screwed on to the pins at the top or bottom of the enclosure.
- They can be superimposed to double capacity.
- Delivered with screws.

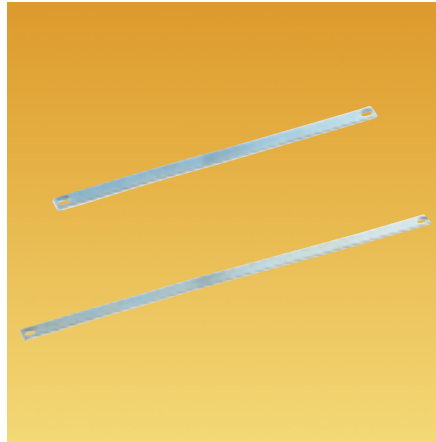


number of modules	reference
8	82763
12	82764
18	82765

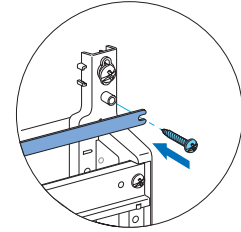


## terminal block support for enclosures onto chassis

- Metallic.
- They can be screwed onto the chassis simplifying the cables connections.
- Delivered with screws.



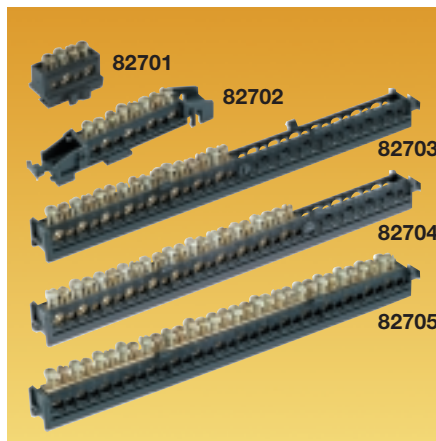
number of modules	reference
12	82774
18	82775



## terminal block

There are 5 references of terminals blocks with different possibilities of assembly:

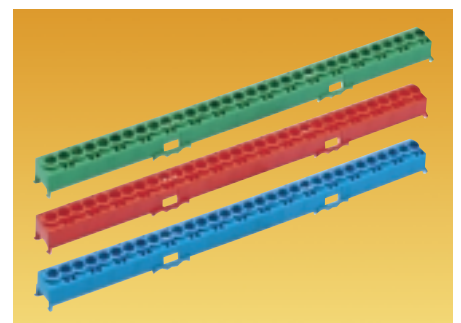
- All models: clipped onto terminal block support.
- 4 holes: clipped by means of dovetails.
- 8 holes: clipped onto the DIN rails, screwed onto the back.



terminal block references	number of holes	composition terminal block section in mm <sup>2</sup>		width in mm	Assembly methods				
		10	16		1	2	3	4	
82701	4	2	2	29	✓				✓
82702	8	4	4	85	✓	✓	✓		
82703	16	8	8	202	✓				
82704	22	11	11	202	✓				
82705	32	16	16	202	✓				

## IP2 covers

- The terminal block can be protected and identified by IP2 coloured (green, red or blue) covers.



number of holes	references		
	green	red	blue
4	82711	82721	82731
8	82712	82722	82732
16, 22, 32	82715	82725	82735

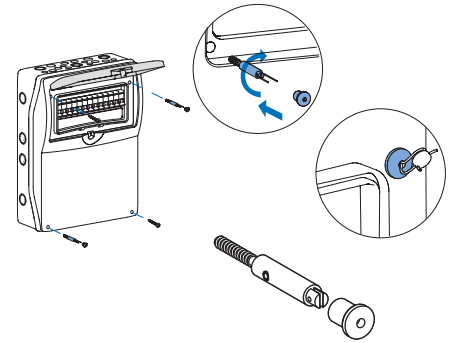
## sealing kit

Sealing kit:

- Used to seal the front face on the back using 2 screws and 2 caps.



reference	description
82559	sealing kit

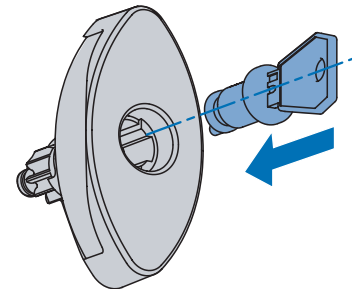


## keylock insert

- These are mounted in the handle without increasing the overall dimensions of the enclosure.
- Three different references to increase safety.

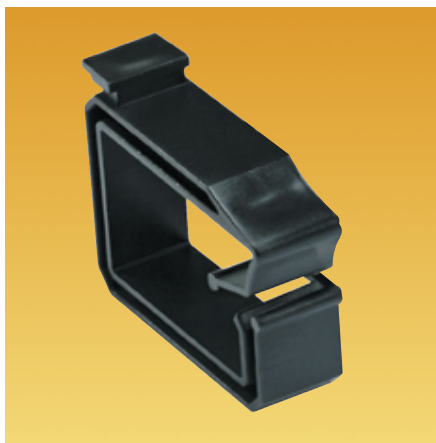


descriptions	reference
Eurolock n° 850	82550
Eurolock n° 851	82551
Eurolock n° 852	82552

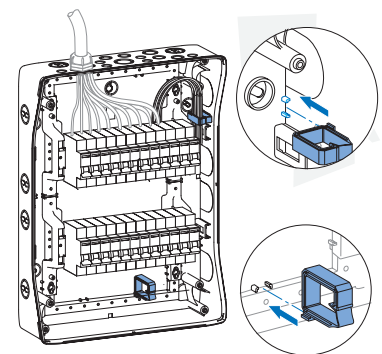


## wiring strap

- Used to guide cables along walls for simplified cabling.
- Clip-on several places at the bottom.

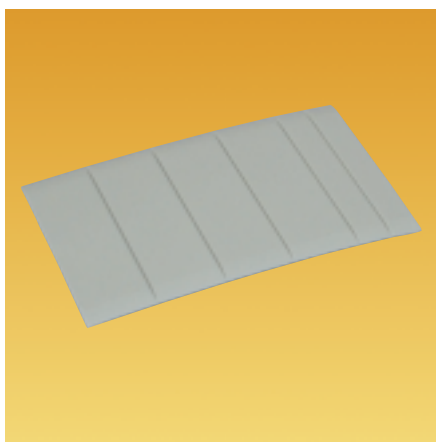


reference	description
82506	wiring strap



## blanking plate

- Set of 10 strips of 5 modules.
- Clipped onto the front plates to cover slots with no devices.
- Color RAL 7035.



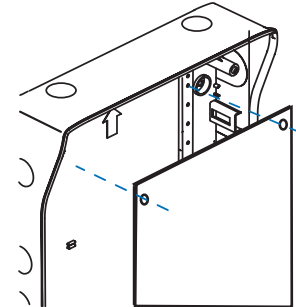
reference	description
82505	blanking plate

## plain chassis

- Metallic.
- Screwed onto the back of the enclosure by means of selftapping screws included with the enclosure.
- Used to fix non-modular devices.

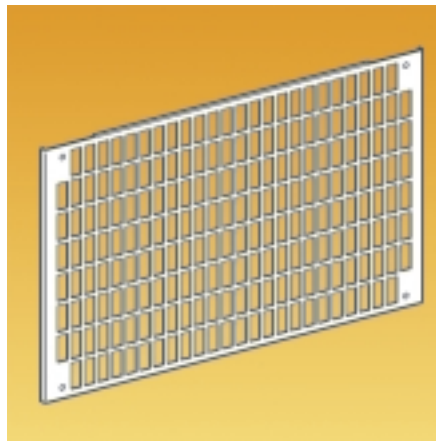


for enclosures (mm)		reference
height (A)	width (B)	
250	150	82604
460	340	82600
460	448	82601
610	340	82602
610	448	82603



## perforated plate

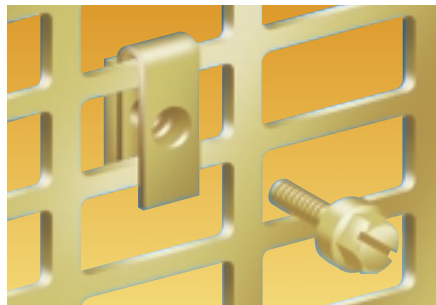
- Screwed onto the back of the enclosure by means of selftapping screws included with the enclosure.
- Used to fix non-modular devices.



for enclosures (mm)		reference
height (A)	width (B)	
250	150	82614
460	340	82610
460	448	82611
610	340	82612
610	448	82613

## clip nut

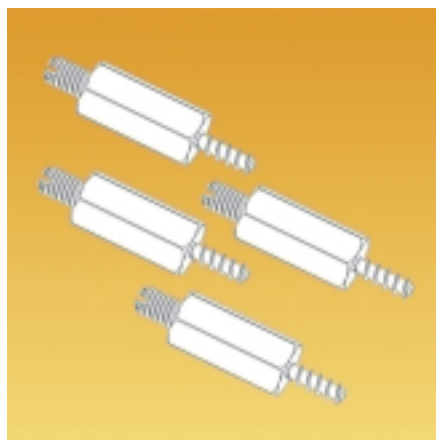
- Clip on perforated plate, for attachment of equipment.



reference	for screw
21163	M3
21164	M4
21165	M5
21166	M6

## selftapping screws

- Set of 4 screws and 4 nuts.



selftapping screws	82609
--------------------	-------

IP67 cable entries

- n IP67.
- n Conforming to standard EN 50262.
- n Material: EPDM plastic.
- n Adapted to wall thicknesses 1 to 4 mm (0,5 to 2 mm for ref. 08831).
- n Fast no-tool installation.



reference	ISO	cable Ø (mm)	Ø of drilling
08831	M12	3 - 5	13
08832	M16	5 - 7	16
08833	M20	7 - 10	20
08834	M25	10 - 14	24
08835	M32	14 - 20	30
08836	M40	20 - 26	38
08837	M50	26 - 35	48

IP55 cable entries

- n IP55.
- n RAL 7035.
- n Material: SBS.



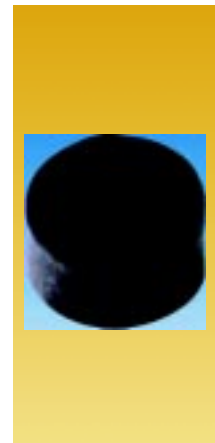
Ø (mm) drilling	cable	references and colours		
		white RAL 9010	ligh grey RAL 7035	grey RAL 7004
23	4 - 20	08121	08111	08131
29	4 - 25	08122	08112	08132
36	4 - 30	-	08113	-
44	4 - 40	-	08114	-

cable gland

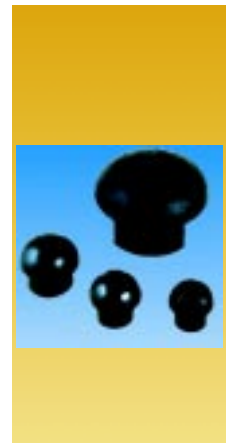
- n IP68, 5 bars.
- n Conforming to standard EN 50262.
- n Grey RAL 7035.
- n Material: PA6, neoprene seal.
- n Operating temperature: -30 °C ... +80 °C and up to +150 °C for short periods.
- n Cable glands are supplied with nuts.
- n Possibility of insert several cables in a single cable gland using the multicable insert.



cable gland



multicable insert



transport plug (for temporary protection of box contents)

Ø	cable gland 1 cable		multicable insert		joint	plug	transport plug
	ref.	Ø min./max. (mm)	ref.	No./Ø (mm)			
M12	08071	3/6.5	-	-	08091	08101	-
M16	08072	4/8	08097	2 3 4	08092	08102	08291
M20	08073	6/12	08098	3 3 4	08093	08103	08292
M25	08074	11/17	08099	4 3 5	08094	08104	08293
M32	08075	15/21	08100	6 3 5	08095	08105	08294
M40	08076	19/28	-	-	08096	08106	08295