

SITOP power 0,5
SITOP power 0,375

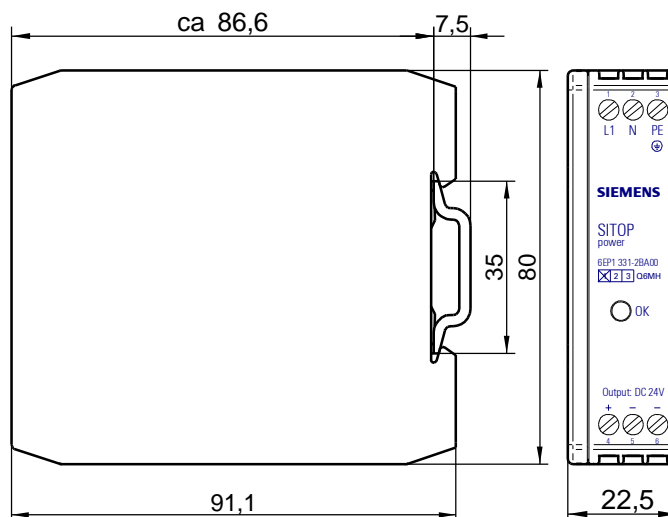
6EP1331-2BA10
6EP1731-2BA00

Betriebsanleitung
Operating instructions
Instructions
Istruzioni di servizio
Instrucciones

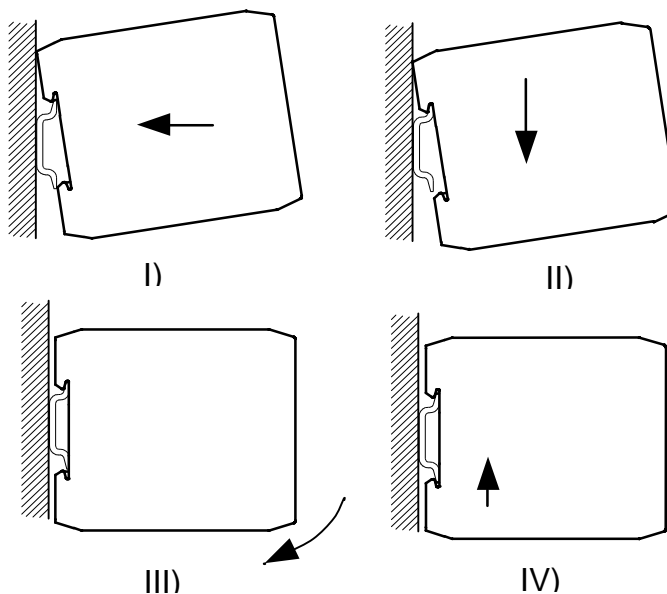
Best. Nr.: C98130-A7526-A1-01-6419



Maßbild
Dimension drawings
Encombremet
Dimensioni d'ingombro
Dibujo dimensional



Montage
Installation
Montage
Montaggio
Montaje



Hinweis

Zum Aufschnappen das Gerät oben in die Hutschiene einhängen (I), leicht nach unten drücken (II), Unterseite andrücken (III) und einrasten lassen (IV). Zur Demontage Gerät nach unten drücken und von der Hutschiene lösen.

Note

To install: place the upper edge of the device on the mounting rail (I), press the device downwards slightly (II), press the lower edge of the device upwards (III) until the device snap into place (IV). To remove: press the device downwards until it snaps off the mounting rail.

Remarque

Pour encliqueter l'appareil, l'accrocher au rail (I), le repousser légèrement vers le bas (II), l'appliquer contre le bord inférieur du rail (III) et le laisser s'encliqueter (IV). Pour le démontage, repousser l'appareil vers le bas et le dégager du bord inférieur du rail.

Avvertenza

Per fissare l'apparechio, introdurlo sul profilo ad omega (I), premere leggermente verso il basso (II), esercitare una leggera pressione sulla parte inferiore (III) und fino al riscontro (IV). Per lo smontaggio premere verso il basso e sganciarlo dal profilo ad omega.

Nota

Para fijar el aparato, colgarlo en el perfil (I), apretarlo ligeramente hacia abajo (II), aplicarlo contra el borde inferior del perfil (III) y dejar que abraque o enganche (IV). Para desmontarlo, apretar el aparato hacia abajo y desengancharlo del perfil.

**WARNING**

Hazardous voltages are present in this electrical equipment during operation. Failure to properly maintain the equipment can result in death, severe personal injury or substantial property damage. Only qualified personnel is allowed to work on or around this equipment. The successful and safe operation of this equipment is dependent on proper handling, installation and operation.

The mains switch has to be switched off and prevented from being switched on again before installation or maintenance. If these rules are not adhered to, contact with live parts or improper use can result in death or severe personal injury.

**CAUTION**

Electrostatically sensitive device (ESD). The device may only be opened by qualified personnel.

Description and construction

The SITOP 24V/0.5 and 0.375A power supplies are rail-mounted built-in units. The relevant DIN/VDE regulations or equivalent local regulations must be observed during installation.

Primary switched-mode power supply for connection to 120-230V, 50/60Hz single-phase AC system (6EP1331-2BA10) respectively to 48-220V DC system (6EP1731-2BA00); Output voltage +24V DC, potential-free, protected against short-circuit and open-circuit conditions.

Technical specifications

6EP1331-2BA10 6EP1731-2BA00

Input data

Input voltage/frequency:

AC 120-230V DC 48-220V
50-60Hz, 47 to 63 Hz -

Tolerance

AC 93 to 264V DC 30 to 264V
(optionally AC30 to 187V)

Oversvoltage proof according to:

EN61000-4-1 A.2 -

Efficiency at full load:

>74% at AC 230V >68% at DC 220V

Limitation of inrush current (25°C) standard:

<23A, 0.3A²s <35A, 1.2A²s
at AC 230V at DC 220V

Recommended circuit breaker, characteristic C.

3A 6A, DC-suitable

Input current:

0.22-0.13A 0.3-0.06A

Power consumption:

16W at AC 120V 14,5W at DC 48V

Output variables

DC output voltage:

24V ±3%

Ripple content of output voltage:

<150mV_{ss} ripple
<240mV_{ss} spikes

DC output current:

0-0.5A 0-0.375A

Parallel connection not permissible.

Environmental conditions

Temperature

Non-operating: -40 to +70°C (-40 to +158°F)

Operating at full load: -25 to +60°C (-13 to +140°F)

Derating at full load and +60 to +70°C

(+140 to +158°F): 0,012A/°C

no

Humidity rating:

according to EN 60721 class 3K3

Natural air convection cooling

Weight

0.11kg/0.24lb.

0.14kg/0.31lb.

Protection and monitoring functions

Signaling:

green LED: 24V O.K.

Current limitation:

Typ. 1.1 - 1.3 I_{rated}

Response to short-circuit (output):

Constant current Automatic restart

approx. 0.6A

Mains buffering time at full load:

>10ms at AC 230V >10ms at DC 220V

Fuse: Slow-acting

T 2A/250V F 4A/250V

Standards and specifications

Degree of protection: IP20 to IEC 529

Degree of protection: 1 to IEC 536

Safety to EN60950: SELV

Emission: EN 50081-1, RI suppression to EN55022, limit curve B

Noise immunity: EN 50082-2 incl. Table A4

UL508 FILE E143289

UL1950 FILE E151273

Installation

Mounting on a DIN EN 50022-35x15/7.5 standard. To ensure adequate cooling, the device must be installed vertically, with the input and output terminals at the bottom. Be sure to leave a minimum free space of 50mm (2in.) above and below the device.

The supply voltage must be connected in accordance with VDE 0100 and VDE 0160. A protective device (fuse) and an isolating device for disconnecting the power supply must be provided.

Connections and terminal assignment

Terminals	Function	Connected load	Remarks
L1, N (6EP1331-2BA10)	Input voltage AC 120-230 V	0.5 ... 2.5mm ²	Screw-type terminals Use a screwdriver with a blade width of 3.5mm (0.14in.) Recommended tightening torque 0.5 to 0.7Nm (4.5 to 6.2lb.in.)
L+, M (6EP1731-2BA00)	Input Voltage DC 48-220 V	22...12 AWG	
PE	Protective earth conductor		
+, -	Output voltage DC 24 V		

Note

These instructions cannot claim to cover all details of possible equipment variations, nor in particular can they provide for every possible example of installation, operation or maintenance. Further information is obtainable from your local Siemens office or from Catalog KT 10 Power Supplies SITOP power. Subject to change without prior notice. The German text applies in cases of doubt.

Herausgegeben vom
Elektronikwerk Wien (EWW)
Bereich A&D

Siemensstraße 88-92
A 1210 Wien

© Siemens AG Österreich All rights reserved.
Liefermöglichkeiten und
technische Änderungen vorbehalten