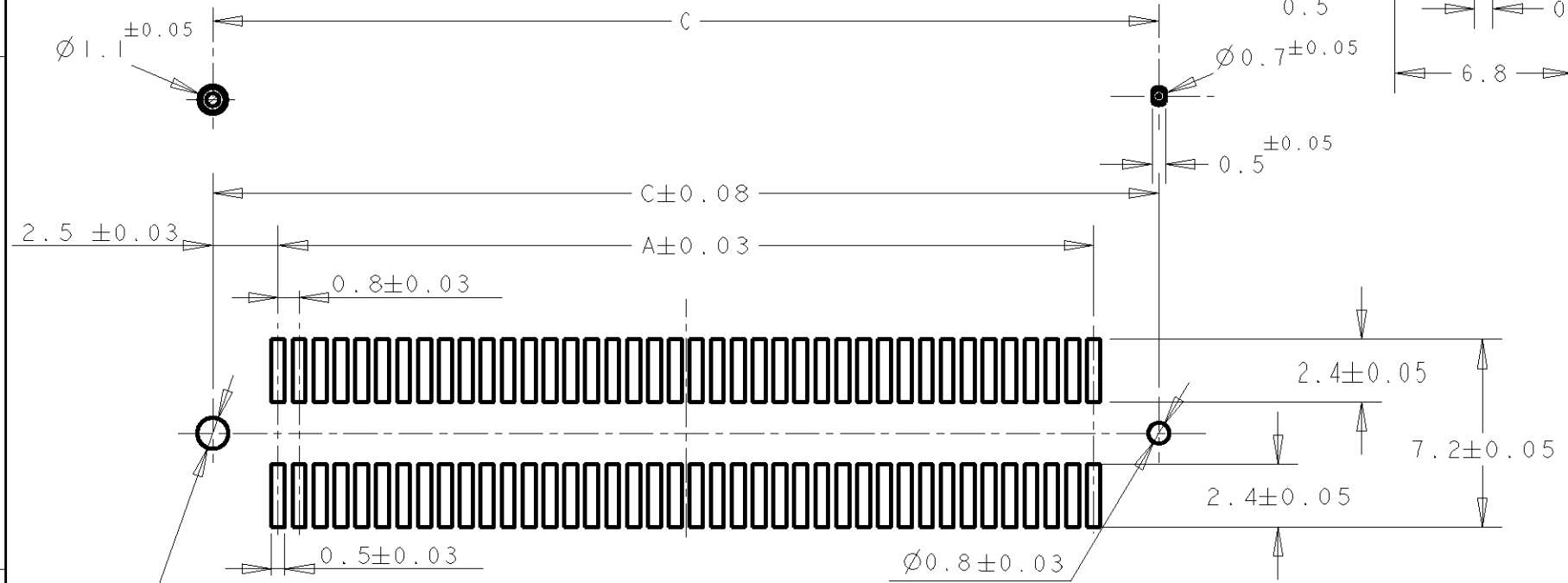
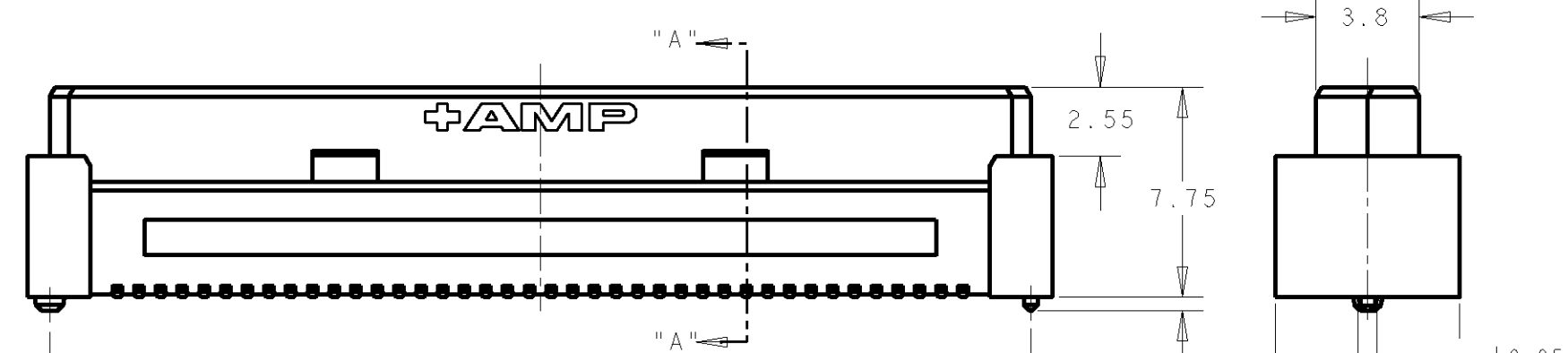
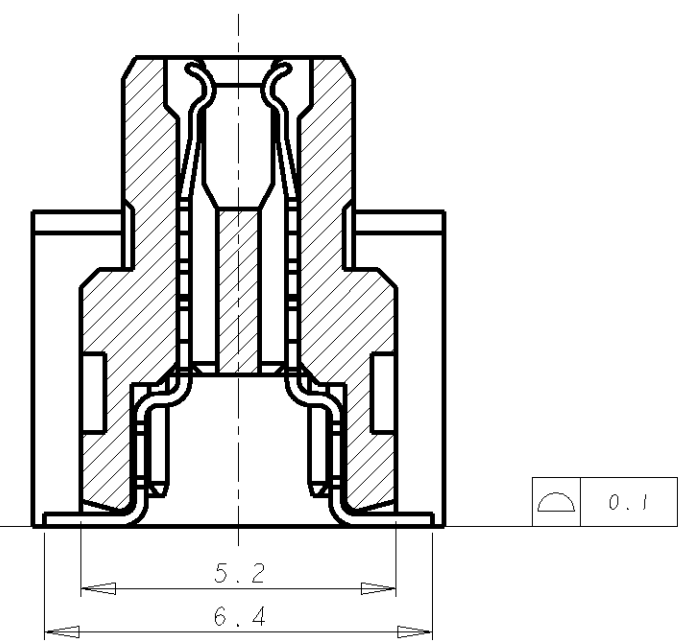
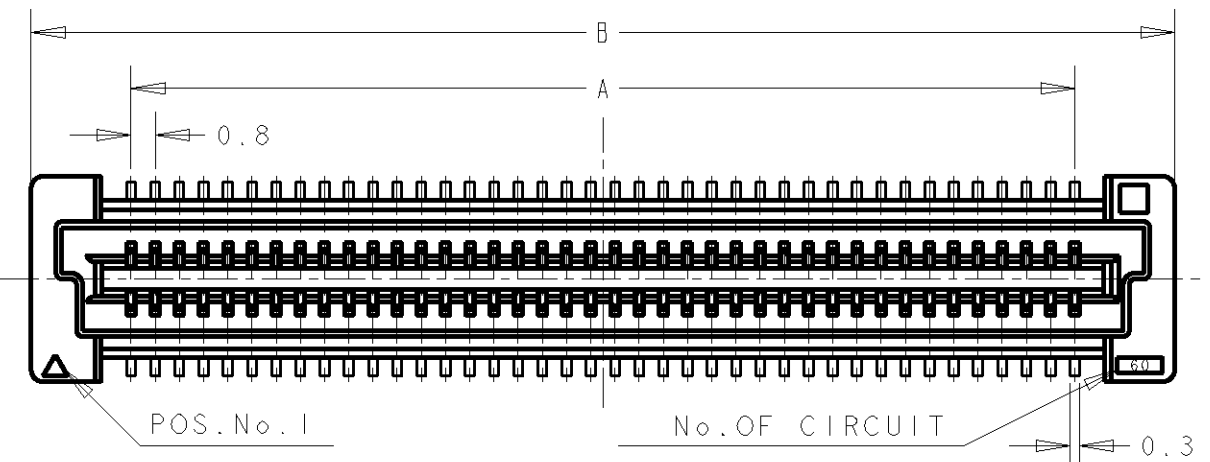


THIS DRAWING IS UNPUBLISHED. RELEASED FOR PUBLICATION .19 .
 © COPYRIGHT 19 BY AMP INCORPORATED. ALL RIGHTS RESERVED.

LOC	DIST	REVISIONS			
P	LTR	DESCRIPTION	DATE	DWN	APVD
DY	-				
	0	NPR FP00-0227-04	14SEP04	FTAN	LSF



- NOTES:
- 1 MATERIAL; HOUSING: L.C.P. (HIGH TEMP THERMO PLASTIC) UL 94V-0, NATURAL. CONTACT: BERYLIUM COPPER.
 - 2 FINISH; CONTACT AREA: 0.0002 MIN GOLD ON 0.0013 MIN ALL OVER NICKEL. SOLDERING AREA: 0.001 MIN MATTE-TIN.
 - 3 POSITION SERIES: SEE TABLE. (SHEET 2)
 - 4 CONN STACK HEIGHT COMBINE OF PLUG "Y" H VS REC "X" H. STACK HEIGHT = Y + X - 5
 - 5 PRODUCT SPEC : 108-5390

RECOMMENDED P.C. BOARD LAYOUT

THIS DRAWING IS A CONTROLLED DOCUMENT FOR AMP INCORPORATED. IT IS SUBJECT TO CHANGE AND THE CONTROLLING ENGINEERING ORGANIZATION SHOULD BE CONTACTED FOR THE LATEST REVISION.		DWN FLORENCE TAN	14SEP04	Tyco Electronics (Singapore) Pte. Ltd.	
DIMENSIONS: mm		CHK ERIC TNG	APVD SEIFONG		
TOLERANCES UNLESS OTHERWISE SPECIFIED:		PRODUCT SPEC 108-5390		DRAWING NO C-5179009	
0 PLC ± 1 PLC ±0.2 2 PLC ±0.25 3 PLC ±0.3 4 PLC ± ANGLES ±3°		APPLICATION SPEC -		SIZE A3	CAGE CODE 00779
MATERIAL	FINISH	WEIGHT -		SCALE 4:1 SHEET 1 OF 2 REV 0	
1	2	CUSTOMER DRAWING			

4

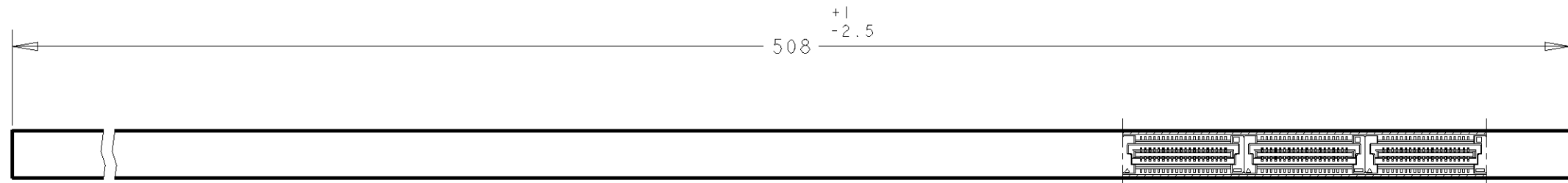
3

2

1

THIS DRAWING IS UNPUBLISHED. RELEASED FOR PUBLICATION .19 .
 © COPYRIGHT 19 BY AMP INCORPORATED. ALL RIGHTS RESERVED.

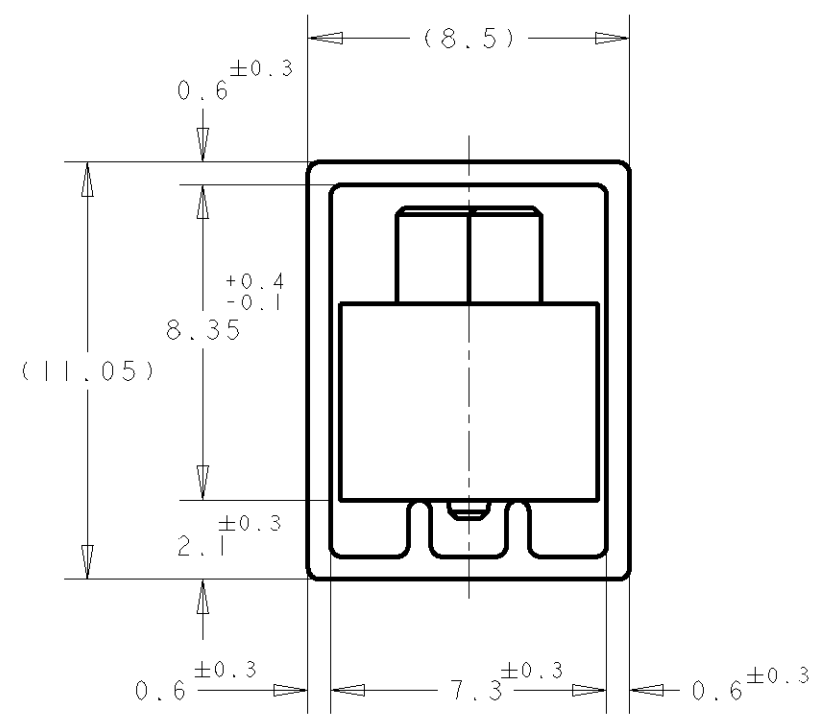
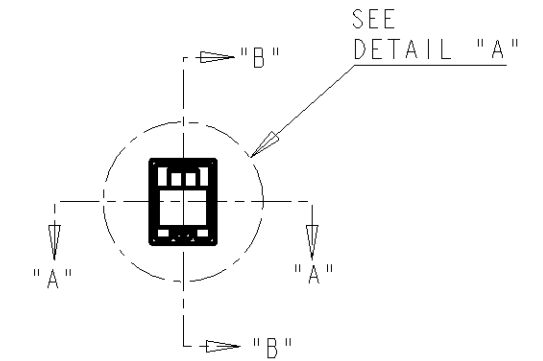
LOC	DIST	REVISIONS			
P	LTR	DESCRIPTION	DATE	DWN	APVD
DY	-	-	-	-	-
		SEE SHEET 1 OF 2			



SECT "A" - "A"



SECT "B" - "B"



DETAIL "A"
(SCALE 5-1)

84.20	85.80	79.20	200	6-	-0
76.20	77.80	71.20	180	5-	-9
68.20	69.80	63.20	160	5-	-8
60.20	61.80	55.20	140	5-	-6
52.20	53.80	47.20	120	5-	-5
44.20	45.80	39.20	100	5-	-4
36.20	37.80	31.20	80	5-	-3
28.20	29.80	23.20	60	5-	-2
20.20	21.80	15.20	40	5-	-1
C	B	A	POS.	PART No.	

THIS DRAWING IS A CONTROLLED DOCUMENT FOR AMP INCORPORATED. IT IS SUBJECT TO CHANGE AND THE CONTROLLING ENGINEERING ORGANIZATION SHOULD BE CONTACTED FOR THE LATEST REVISION.		DWN FLORENCE TAN	14SEP04	Tyco Electronics (Singapore) Pte. Ltd.
DIMENSIONS: mm		CHK ERIC TNG	APVD SEI FONG	
TOLERANCES UNLESS OTHERWISE SPECIFIED:		PRODUCT SPEC 108-5390		NAME RECEPTACLE ASSEMBLY 9H TYPE FOR FH 0.8mm PITCH B-T-B CONNECTOR
0 PLC ±- 1 PLC ±0.2 2 PLC ±0.25 3 PLC ±0.3 4 PLC ±- ANGLES ±3°		APPLICATION SPEC -		
MATERIAL	FINISH	WEIGHT		SIZE A3 CAGE CODE 00779 DRAWING NO C-5179009
1	2	CUSTOMER DRAWING		SCALE 4:1 SHEET 2 OF 2 REV 0