

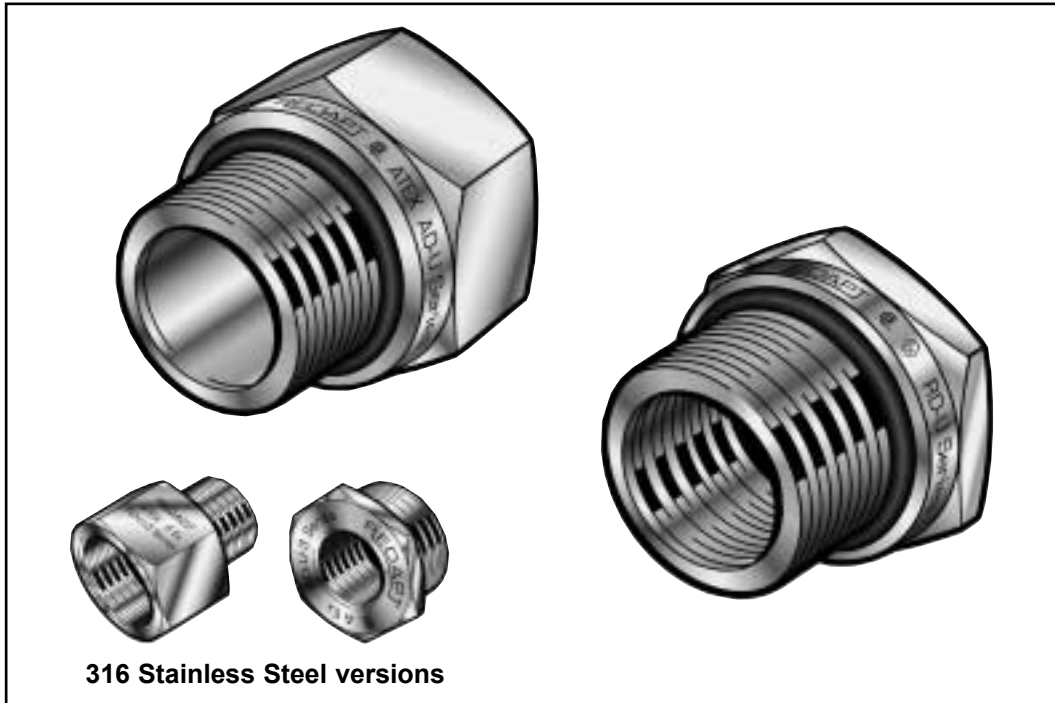
Farnell Codes: 4380460 - 4380551

Dual Certified Adaptors & Reducers IP66 68 & 4X 6P

AD-U & RD-U Series Adaptors and Reducers provide a method of matching electrical threadforms on Ex Equipment while maintaining certification.

Adaptors are used where the thread size of the cable gland or connection device is larger than, or of an equivalent size to the entry thread of the enclosure.

Reducers are used to reduce the entry thread of an enclosure to accept a cable gland or connection device with a smaller thread.



316 Stainless Steel versions

- **Worldwide compatibility** – keeping pace with the rapidly changing approvals and to ensure worldwide compatibility, Redapt have North American Ex approvals for both methods of hazardous location classification, Zones and Divisions, in addition to our existing CENELEC approvals. Redapt can therefore offer Adaptors & Reducers Ex de I&IIC and/or Class I Division 1 ABCD
- **Captive 'O' Ring Seal** – is located within a recess on the face of the product helping protect the 'O' ring from the environmental damage, ensuring the 'O' ring is not displaced during installation and to optimise ingress protection.

Please Note:

Tapered male thread options are not normally supplied c/w O ring seal, thread sealant should be used to maintain the desired level of ingress protection. If an 'O' ring seal is required (Clearance holes) this can be available as an option.

316 Stainless Steel versions do not feature a marking band. This reduces the overall length of Reducers by 5mm, it does not affect the overall length of Adaptors.

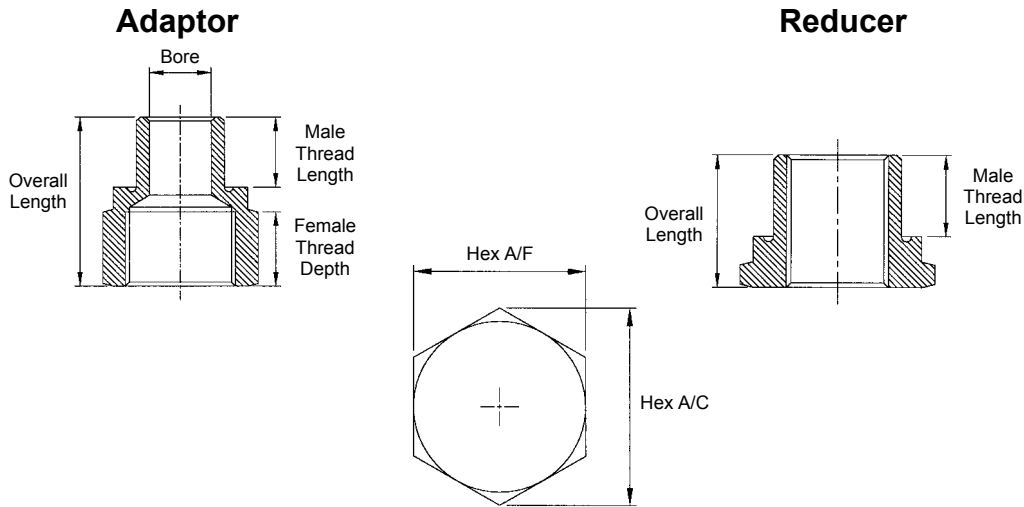
CENELEC

Sira 00ATEX1094 (Metric Female)
 Sira 99ATEX1115U (Non-Metric Female)
 I M2 II 2DG E Ex de I&IIC
 II 2DG E Ex de IIC (Aluminium)

CSA / A Ex

Class I, Zone 1, Ex de I&IIC
 Class I Division 1&2 ABCD
 Class II EFG, Class III

Ingress Protection: IP66 68, CSA Enclosure Type (NEMA) 4X 6P
Impact Resistance: 20Nm (7Nm Aluminium)
Ambient Temperature: -50 to +85°C
Materials: Brass, 316 Stainless Steel, Aluminium
'O' Ring Material: Nitrile
Plating: Nickel, Zinc, other on application
Part Number: Please refer to *Part Numbering System*



**Please see pages 3 & 4 for
 dimension tables.**

Available thread sizes and corresponding bore size

Metric	Bore	NPT	Bore	ISO Pipe	Bore	ET	Bore	PG	Bore
M16	10.0			3/8"	10.0	5/8"	10.0	PG7	8.0
M20	14.0	1/2"	15.0	1/2"	15.0	3/4"	14.0	PG9	10.0
M25	18.0	3/4"	19.0	3/4"	19.0	1"	18.0	PG11	13.5
M32	24.0	1"	25.0	1"	25.0	1 1/4"	24.0	PG13.5	14.0
M40	32.0	1 1/4"	32.0	1 1/4"	32.0	1 1/2"	32.0	PG16	16.0
M50	41.0	1 1/2"	38.0	1 1/2"	38.0	2"	41.0	PG21	21.0
M63	53.0	2"	49.0	2"	49.0	2 1/2"	53.0	PG29	29.0
M75	64.0	2 1/2"	60.0	2 1/2"	60.0	3"	64.0	PG36	38.0
M80x2.0	69.0	3"	75.0	3"	75.0			PG42	45.0
M85x2.0	73.0	3 1/2"	88.0	3 1/2"	88.0			PG48	50.0
M90x2.0	78.0	4"	100.0	4"	100.0				
M100x2.0	88.0								

For full material specifications and options please refer to *Material Specifications*.

FEMALE SIZE

MALE	METRIC										NPT								PG												
	M16	M20	M25	M32	M40	M50	M63	M75	M90	M100	1/2"	3/4"	1"	1 1/4"	1 1/2"	2"	2 1/2"	3"	3 1/2"	4"	PG9	PG11	PG13.5	PG16	PG21	PG29	PG36	PG42	PG48		
Metric	M16	M20	M25	M32	M40	M50	M63	M75	M90	M100	1/2"	3/4"	1"	1 1/4"	1 1/2"	2"	2 1/2"	3"	3 1/2"	4"	PG9	PG11	PG13.5	PG16	PG21	PG29	PG36	PG42	PG48		
M16	201	201									216											201	201	201							
M20	301	202	203								217	218										301	202	202	202	203					
M25	303	303	204	206							303	219	221									303	303	303	204	204					
M32	305	305	305	206	208						305	305	222	223								305	305	305	305	207	207				
M40	307	307	307	307	208	209					307	307	307	223	224							307	307	307	307	307	208	209			
M50	309	309	309	309	309	210	211				309	309	309	309	225	226						309	309	309	309	309	309	210	210	211	
M63	310	310	310	310	310	310	211	212			310	310	310	310	310	226	227					310	310	310	310	310	310	310	310	211	
M75	311	311	311	311	311	311	311	212	213		311	311	311	311	311	311	227	228				311	311	311	311	311	311	311	311	311	
M90	312	312	312	312	312	312	312	312	214	215	312	312	312	312	312	312	312	229	230	231		312	312	312	312	312	312	312	312	312	
M100	313	313	313	313	313	313	313	313	313	215	313	313	313	313	313	313	313	313	313	230	231		313	313	313	313	313	313	313	313	313
NPT																															
1/2"	314	232	234								245	246										314	232	232	233	234					
3/4"	315	315	234	235							315	246	247									315	315	315	234	234					
1"	316	316	316	236	237						316	316	248	249								316	316	316	316	236	237				
1 1/4"	317	317	317	317	237	238					317	317	317	249	250							317	317	317	317	317	237	238			
1 1/2"	318	318	318	318	238	240					318	318	318	318	250	251						318	318	318	318	318	238	239	240		
2"	319	319	319	319	319	240	241				319	319	319	319	251	252						319	319	319	319	319	319	319	319	240	
2 1/2"	320	320	320	320	320	242	243				320	320	320	320	320	253	254					320	320	320	320	320	320	320	320	320	
3"	321	321	321	321	321	321	321	321	244	244	321	321	321	321	321	321	321	254	255	256		321	321	321	321	321	321	321	321	321	
3 1/2"	322	322	322	322	322	322	322	322	322	244	322	322	322	322	322	322	322	322	322	322	322	322	322	322	322	322	322	322	322	322	
4"	323	323	323	323	323	323	323	323	323	244	323	323	323	323	323	323	323	323	323	323	323	323	323	323	323	323	323	323	323	323	
PG																															
7 & 9	201	201									216											201	201	201							
PG11	202	202	203								217	218										202	202	202	202						
PG13.5	301	202	203								217	218										301	202	202	202	203					
PG16	302	203	206								218	218	221									302	302	203	203	203					
PG21	304	304	205	206	208						304	220	221									304	304	304	304	205	207				
PG29	306	306	306	306	208	209					306	306	223	223	224							306	306	306	306	306	208	209			
PG36	308	308	308	308	308	209	211				308	308	308	224	224							308	308	308	308	308	209	210	211		
PG42	309	309	309	309	309	210	211				309	309	309	309	309	226						309	309	309	309	309	309	210	211		
PG48	310	310	310	310	310	310	211	212			310	310	310	310	310	226	227					310	310	310	310	310	310	310	310	211	

M32 Male x M40 Female = 208



Adaptors

	Metric x Metric, Metric x PG, PG x Metric, PG x PG										Metric x NPT, PG x NPT																			
	201	202	203	204	205	206	207	208	209	210	211	212	213	214	215	216	217	218	219	220	221	222	223	224	225	226	227	228	229	230
Hex Across Flats	23.4	27.0	30.5	33.0	36.0	37.6	41.3	47.2	55.9	61.2	70.1	90.2	106.4	114.3	23.4	27.0	30.5	33.0	37.6	37.6	41.3	47.2	55.9	61.2	70.1	80.0	106.4	114.3	127.0	
Hex Across Corners	26.8	31.0	35.0	38.0	41.5	43.2	47.5	53.4	64.3	70.4	81.8	103.7	122.4	131.4	26.8	31.0	35.0	38.0	43.2	43.2	47.5	53.4	64.3	70.4	81.8	92.0	122.4	131.4	146.0	
Male Thread Length	16.0	16.0	16.0	16.0	16.0	16.0	16.0	16.0	16.0	16.0	16.0	16.0	20.0	20.0	16.0	16.0	16.0	16.0	16.0	16.0	16.0	16.0	16.0	16.0	16.0	16.0	16.0	20.0	20.0	
Female Thread Depth	17.0	17.0	17.0	17.0	17.0	17.0	17.0	17.0	17.0	17.0	17.0	22.0	22.0	22.0	20.0	20.0	20.0	20.0	20.0	20.0	25.0	25.0	25.0	25.0	25.0	25.0	35.0	35.0	35.0	
Total Length	38.5	38.5	38.5	38.5	38.5	38.5	38.5	38.5	39.5	39.5	39.5	45.0	49.0	49.0	42.0	42.0	42.0	42.0	42.0	47.0	47.0	47.0	48.0	48.0	48.0	58.0	62.0	62.0	62.0	

NPT x Metric, NPT x PG

	NPT x Metric, NPT x PG										NPT x NPT													
	232	233	234	235	236	237	238	239	240	241	242	243	244	245	246	247	248	249	250	251	252	253	254	255
Hex Across Flats	23.4	28.6	30.5	37.6	37.6	44.5	55.9	61.2	70.1	90.2	90.2	106.4	114.3	23.4	30.5	37.6	47.2	55.9	70.1	80.0	80.0	106.4	114.3	127.0
Hex Across Corners	26.8	32.9	35.0	43.2	43.2	51.1	64.3	70.4	81.8	103.7	103.7	122.4	131.4	26.8	35.0	43.2	53.4	64.3	81.8	92.0	92.0	122.4	131.4	146.0
Male Thread Length	20.0	20.0	20.0	20.0	25.0	25.0	25.0	25.0	25.0	25.0	35.0	35.0	35.0	20.0	20.0	20.0	25.0	25.0	25.0	25.0	25.0	35.0	35.0	35.0
Female Thread Depth	17.0	17.0	17.0	17.0	17.0	17.0	17.0	17.0	17.0	17.0	22.0	22.0	22.0	20.0	20.0	25.0	25.0	25.0	25.0	25.0	25.0	35.0	35.0	35.0
Total Length	43.0	43.0	43.0	43.0	48.0	48.0	49.0	49.0	49.0	49.0	59.0	64.0	64.0	46.0	46.0	51.0	56.0	56.0	57.0	57.0	67.0	77.0	77.0	78.0

Reducers

	Metric and PG										NPT												
	301	302	303	304	305	306	307	308	309	310	311	312	313	314	315	316	317	318	319	320	321	322	323
Hex Across Flats	27.0	30.5	33.0	36.0	37.6	44.5	47.2	55.9	61.2	70.1	90.2	106.4	114.3	23.4	27.9	34.9	44.5	52.1	61.2	80.0	90.2	106.4	120.7
Hex Across Corners	31.0	35.0	38.0	41.5	43.2	51.1	53.4	64.3	70.4	81.8	103.7	122.4	131.4	26.8	32.1	40.2	51.1	59.9	70.4	92.0	103.7	122.4	138.8
Male Thread Length	16.0	16.0	16.0	16.0	16.0	16.0	16.0	16.0	16.0	16.0	16.0	20.0	20.0	20.0	20.0	25.0	25.0	25.0	25.0	25.0	35.0	35.0	35.0
Total Length	26.0	26.0	26.0	26.0	26.0	26.0	27.0	27.0	27.0	27.0	27.0	31.0	31.0	30.0	30.0	35.0	35.0	35.0	36.0	46.0	46.0	46.0	47.0

STEP 1 (page 3) To obtain the correct reference number select the male size from the left hand column, then refer horizontally across the page to the female size. i.e. M32 (Male) x M40 (Female) = 208

STEP 2 (page 4) – Having obtained the reference number, go to the relevant column within the dimension tables to obtain the Adaptor or Reducer's dimensions.