

10 9 8 7 6 5 4 3 2 1

NOTES :

1- MATERIAL:

-HOUSING: POLYESTER FIBER GLASS FILLED UL 94-V0
COLOR BLACK.

-TERMINAL: PHOSPHOR BRONZE.

PLATING:

POST PLATE 0.00127-0.00152/.000050-.000060 GOLD IN
CONTACT AREA ,0.00190/.000075 MIN PURE TIN
IN TAIL AREA BOTH OVER 0.00127/.000050 MIN NICKEL
OVERALL.

-SHIELD: BRASS PLATED WITH 0.0020/.00078 TIN

2- JACK FOR MATING WITH F.C.C. 68 SHIELDED PLUGS (95043 MOLEX SERIES).

3- PRODUCT SPECIFICATION PS-95040 AND PS-85505 (SECTION 5.2).

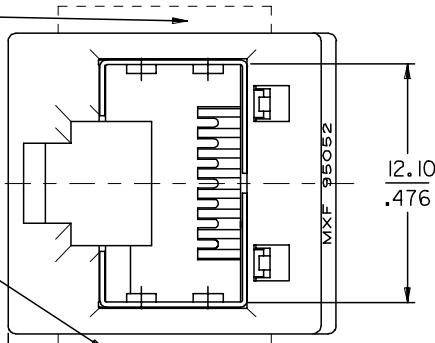
4- APPLICATION SPECIFICATION AS-95001.

5- PACKAGING SPECIFICATION PK-95022 (TRAY PACKAGING).

6- EXCEEDS CATEGORY 5E PERFORMANCE.

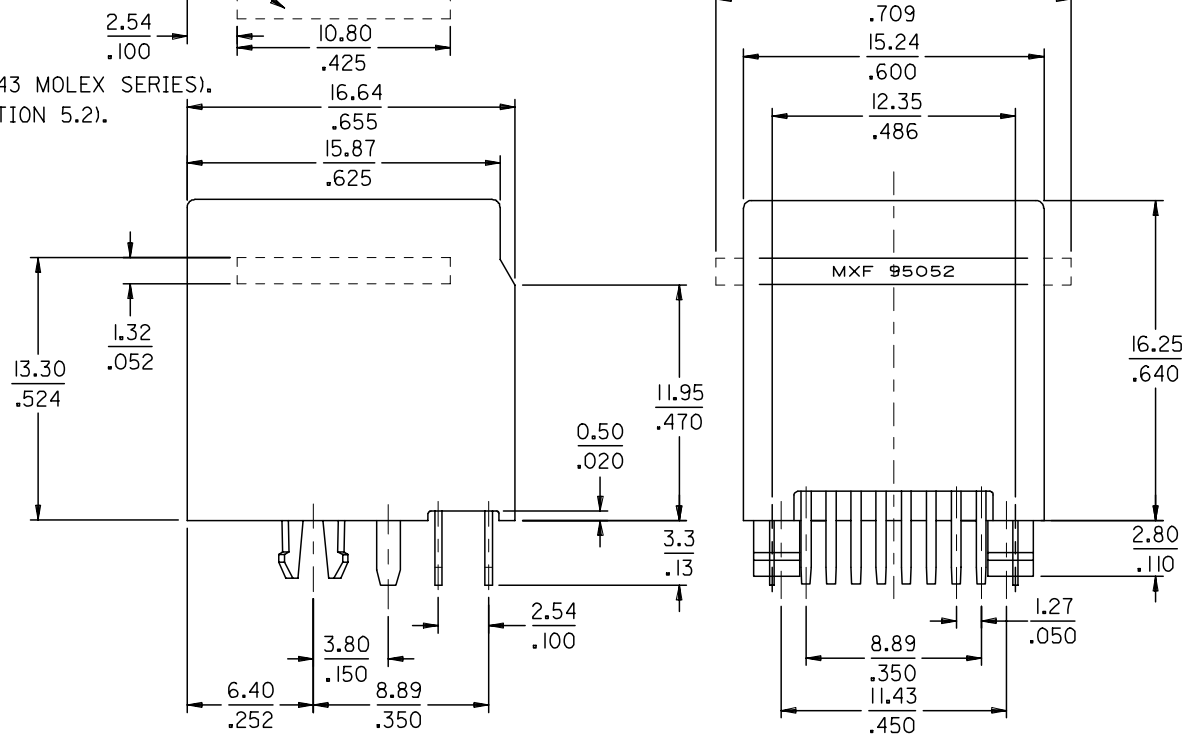
7- PC BOARD THICKNESS: 1.57/.062

OPTIONAL RIBS

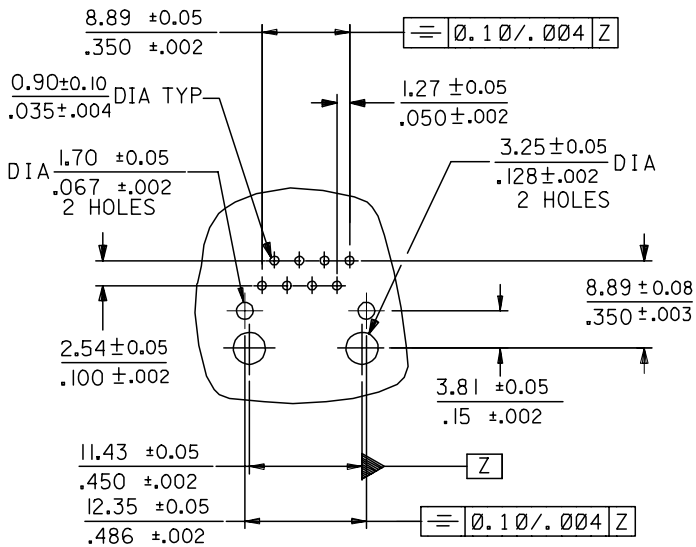


JACK WITH RIBS
MATERIAL NR.: 85507-0001

JACK WITHOUT RIBS
MATERIAL NR.: 85507-0002



P.C.B. MOUNTING PATTERN
(see from component side)
SCALE 2:1



ENTER DESCRIPTION EC NO: MG2005-0147 DRAWN: CEBASTI 2004/10/21 CHKD: FCARABET 2004/10/22 APPR: KNOLLER 2004/11/04	QUALITY SYMBOLS ▽=0 ▽=0	GENERAL TOLERANCES (UNLESS SPECIFIED)		DIMENSION STYLE MM/IN	SCALE 4:1	DESIGN UNITS METRIC	THIRD ANGLE PROJECTION
		4 PLACES ± --- ± --- 3 PLACES ± --- ± .006 2 PLACES ± 0.15 ± .010 1 PLACE ± 0.25 ± ---	mm INCH	DRAWN BY DATE FB 98/08/05	TITLE TOP ENTRY HIGH SPEED SHIELDED MODULAR JACK THROUGH HOLE 8 CIRCUIT		
		DRAFT WHERE APPLICABLE MUST REMAIN WITHIN DIMENSIONS	APPROVED BY DATE FB 98/08/05	MATERIAL NO.	DOCUMENT NO. SD-85507-001		
		SEE CHART	SHEET NO. 1 OF 1				

9 8 7 6 5 4 3 2 1