

REV:02

CUSTOMER Y02

# Approval Sheet

DESIGNED NO.: SWITCHING POWER SUPPLIES

MODEL NO.: EPA-121DA-05

ENG NO.: @3A-121DA05-052

*T3574EG.  
16/1/06.*

APPROVAL		

Remark: 1).Please approve and sign back to ENG ELEC.  
 2).If there is no signing back,this Approval sheet will be regarded as being approved automaticly once the first P.O. of the model specified in the sheet is issued.

SUPPLIER		
DESIGN	CHECKED	APPROVED



英格爾

英格爾科技股份有限公司  
 ENG ELECTRIC CO., LTD.

台灣省桃園縣龜山鄉民生北路1段536號5樓  
 5F,NO.536,Sec.1.Min Sheng N.Rd;Kweishan Hsiang,Taoyuan Hsien,Taiwan,R.O.C.  
 TEL: 886-3-2121133, 886-3-212199  
 FAX: 886-3-2121561

深圳英格爾電子有限公司  
 SHENZHEN ENG ELECTRONICS CO., LTD.

深圳市寶安區福永鎮白石廈中核集團B棟  
 Block B, Nuclear Group Industrial District, Baishixia, Fuyong Town, Bao'an, Shen Zhen China  
 TEL: 86-755-27307512,27307515,27308750,27308755,27307208,27308202  
 FAX: 86-755-27308049

# SHENZHEN ENG ELECTRONICS CO., LTD.

FILE NO.: EN-RDS-6250

FILE: @3A-121DA05-052

產品承認書 SHEET: 01

## 1 Product Characteristics:

### 1.1 General Description

Model EPA-121DA-05 is a universal switching-mode power supply, operating at input voltage 90VAC to 255VAC and output voltage of 5VDC with 2.5A DC load

### 1.2 Electric Characteristics

#### 1.2.1 Input

No	ITEM	SPECIFICATION
1.	Rated input Voltage	AC100V-240V
	Vibration input Voltage Range	AC90V-255V
2.	Frequency Rated	50-60Hz
	Frequency Vibration	47-63Hz
3.	Input Rated Current	300mA RMS Max
	Inrush Current	30A Max .at 115vac cool start
		50A Max. at 230vac cool start
4.	Leakage current	0.25mA
5.	Efficiency	60% Min.

# SHENZHEN ENG ELECTRONICS CO., LTD.

FILE NO.: EN-RDS-6250      FILE: @3A-121DA05-05: 產品承認書      SHEET: 02

---

## 1.2.2 Output:

No	ITEM	V1
1.	output Voltage	5VDC
2.	output max. current	2.5A
3.	output min. Current	0A
4.	Line regulation	±1%
5.	Load regulation	±5%
6.	Over voltage protection	6.46V to 7.14V DC (output shut down)
7.	Short circuit protection	Output shut down and auto restart
8.	Ripple Voltage (L.F.)	150mV (p-p) (100V-240)VAC at full load)

## 1.2.3 HI-POT SPECIFICATION

Input to output : 3000VAC or 4242VDC 10mA 1 minute.

## 1.2.4 Insulation resistance:

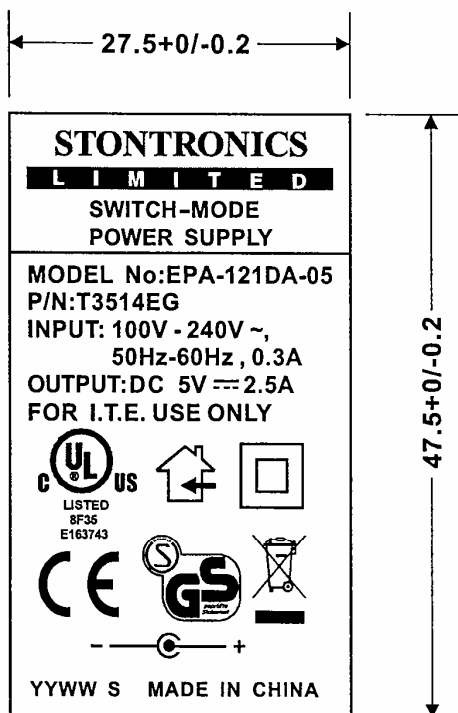
Input to output: 500vdc to test the input to output resistance not be less 100M ohm

## 1.2.5 Safety approved: UL,CUL,S/GS,CE,

## 1.2.6 EMI standard : meet FCC class B , CE ,VCCI – II

## 1.2.7. PB-free standard : RoHS Compliant

02版・增加垃圾桶・  
ITS/GS變更為S/GS



UNIT: mm

YYWW S YY:YEAR WW:WEEK S:FU YONG

ALUMINUM NAMEPLATE: ○ BLACK WORD ON SILVER BASE

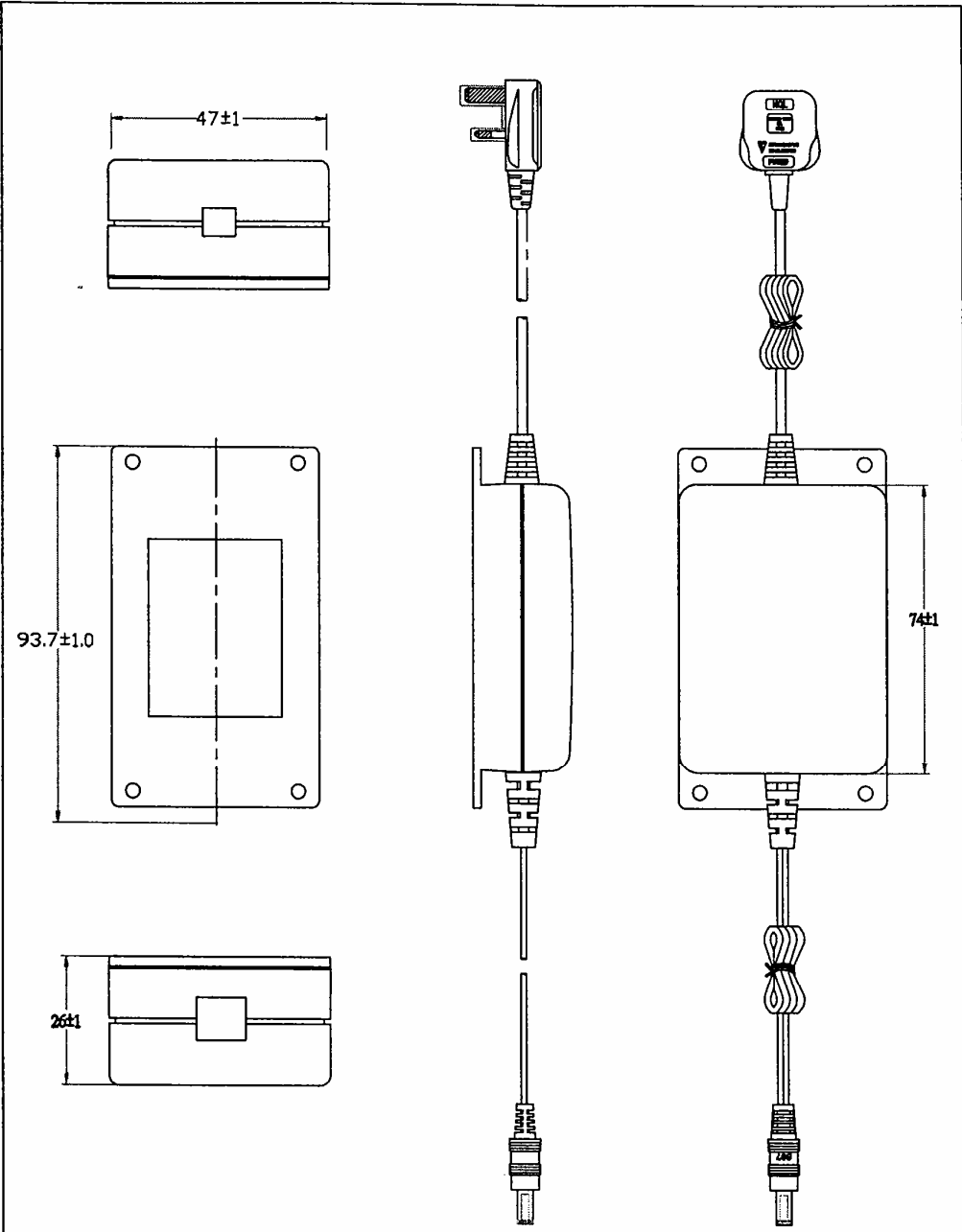
○ SILVER WORD ON BLACK BASE

METALIZED POLYESTER: ● BLACK WORD ON SILVER BASE  
(SILVER MATTE) ○ SILVER WORD ON BLACK BASE

			TOLERANCE				
<b>@3A-121DA05-052</b>							
DESIGNED	CHECKED	APPROVED		TITLE			DATE
Lipp				LABEL			05/8/3
			UNITS	mm	DRAWING No.		
			SCALE	2:1	N0Y02-0069		
ENG ELECTRICS CO., LTD.				DRAWING NAME			REVISION
				1203			02

X

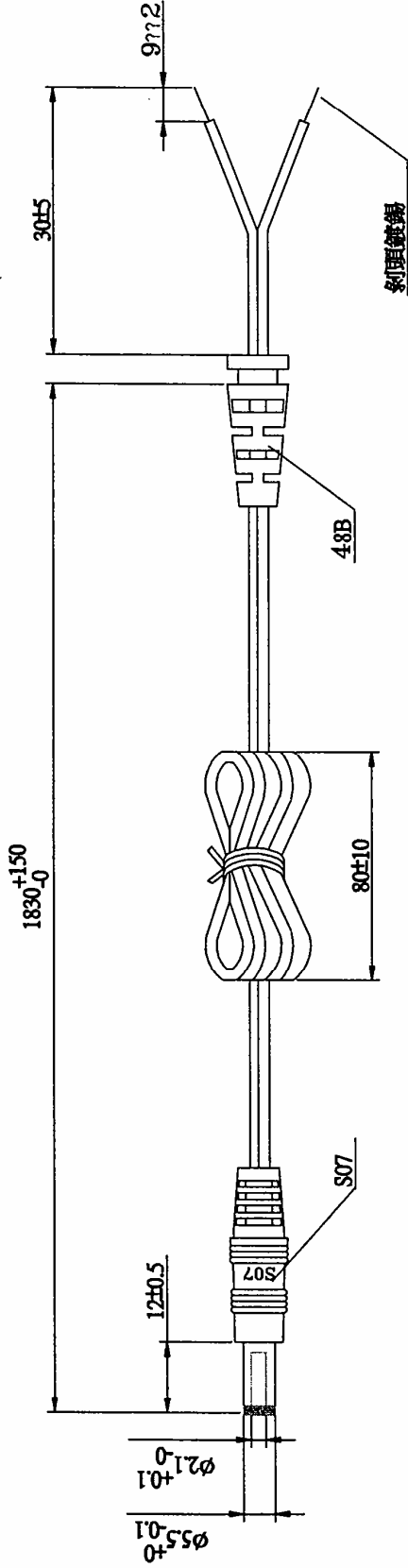
Att.2



TOLERANCE				

DESIGNED	CHECKED	APPROVED		TITLE	DATE
Lipp				UNITS mm	OUTDRAWING
ENG ELECTRIC CO; LTD				DRAWING No. 03A-121DA05-052	REVISION 01
				DRAWING NAME 120311-01	

Att.4



#18AWG X2C SPT-1 有字接外 齒邊線接內

線材OD:  $\phi 2.7 \times 5.4$



TOLERANCE	

插擺測試 VIBRATION TEST	制作參數要求
	<ul style="list-style-type: none"> <li>a. <math>\pm 50'</math></li> <li>b. 吊重 200g WEIGHT 200g</li> <li>c. 40 回/分 40 ROUND/MINUTE</li> <li>d. 1000 次/最少 OVER 1000 COUNT MIN</li> </ul>

DESIGNED	CHECKED	APPROVED	TITLE	DATE
Lipp			DC CORD	05/01/24
			DRAWING No. @3A-121DA05-052	REVISION 01
			DRAWING NAME 31-48BS07-03B-00	
ENG ELECTRIC CO; LTD				