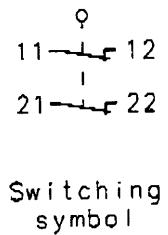
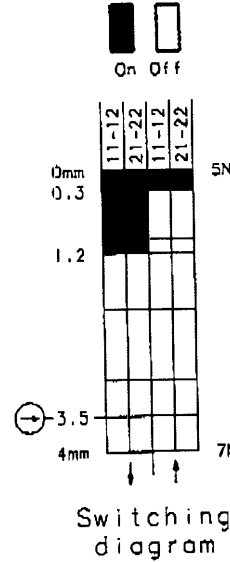
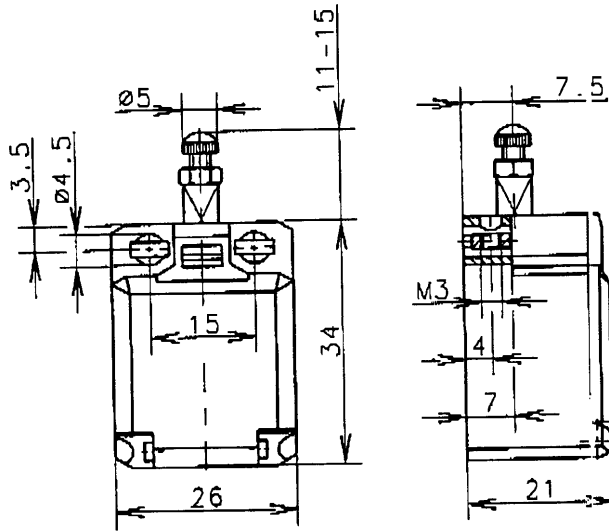




Positive opening operation according to DIN EN 60947-5-1 IEC 60947-5-1



Tolerance: operating point $\pm 0.25\text{mm}$; actuating force $\pm 10\%$

Schutzvermerk nach DIN 34 000
Copyright reserved

23.10.01

Mechanical features

Enclosure: PBT, glass fibre reinforced
Cover: PC, black
Actuator: Adjusting screw adjustable; thread M3 with a lock nut

Ambient air temperature: -30°C up to $+80^{\circ}\text{C}$
Contact type: 2 NC-contacts (Zb)

Mechanical life: 3×10^6 switch operations
Switch frequency: max. 100/min
Mounting: from the top 2xM4, from the front 2xM3
Connection type: 4 screw connections (M3.5)
Conductor cross-section: single core 0.5-1.5mm²/litz wire with connector sleeve 0.5-1.5mm²
Cable entry size: rectangle 8.5x3.5mm
Weight: approx. 0,02kg

Electrical features

Rated insulation voltage: $U_i = 250\text{ V AC}$
Conventional thermal current: $I_{the} = 10\text{ A}$
Max. inrush current: according to IEC 947-5-1
Utilization categorie: AC 15, A300 240V/3A, 120V/6A / DC 13, Q300 250V/0.27A, 125V/0.55A
Standards: according to EN 60947-1; EN 60947-5-1
Protection class: IP30 according to EN 60529; DIN VDE 0470 T1
CSA/UL: 10A 300V AC, A300
Short circuit protection: Fuse 6A gL/gG, IEC/EN 60947-5-1, appendix K

Approach possibilities

The push bolt actuator is mainly intended to be actuated along it's axis.
Side actuation will considerably reduce switch life.

Remarks

The moving parts should be oiled periodically.