

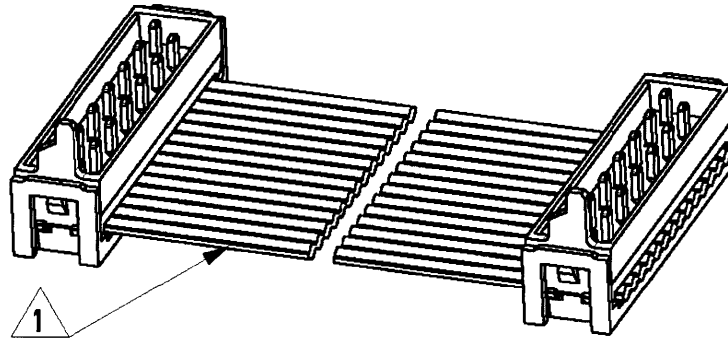
378-4526

THIS DRAWING IS A CONTROLLED DOCUMENT FOR Tyco Electronics Nederland B.V.
IT IS SUBJECT TO CHANGE AND THE CONTROLLING ENGINEERING ORGANIZATION SHOULD BE CONTACTED FOR THE LATEST REVISION.

LOC	DIST	LTR	REVISION RECORD	DATE	APVD
H	-	A	EH00-1269-01	08/11/01	HS
-	-	-	-	-	-
-	-	-	-	-	-

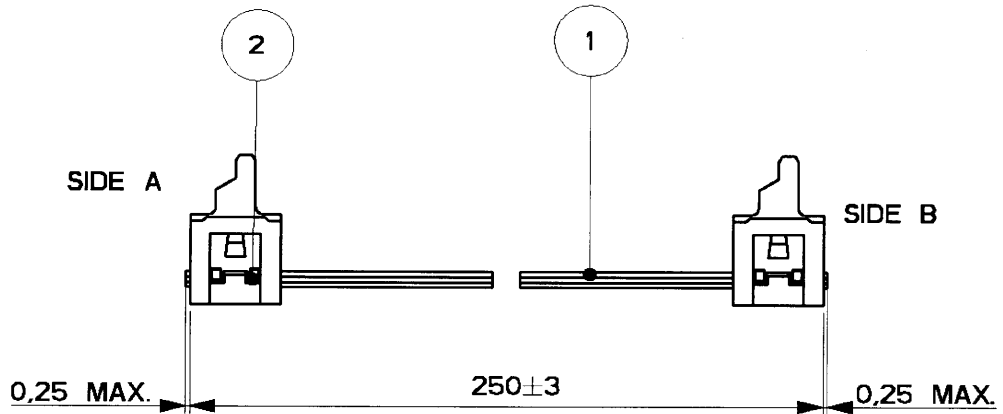
- 1 WIRE RED MARKED
- 2 ASSEMBLIES ARE PACKAGED ACCORDING PACKAGING SPEC 107-19582

SIDE A



SIDE B

SIDE A



SIDE B

2	MALE ON WIRE CONNECTOR	2
1	BULK WIRE FLAT RIBBON CABLE	1
Item no.	Description	Q'TY

DIMENSIONS: mm	DWN	H. Spelde	MATERIAL	FINISH
	CHK	H. Spelde	AMP Tyco Electronics Nederland B.V. 'S-HERTOGENBOSCH, THE NETHERLANDS	
TOLERANCES UNLESS OTHERWISE SPECIFIED:	APVD	E. Leijtens		
	0 PLC ± -	PRODUCT SPEC	-	SIZE
1 PLC ± -	APPLICATION SPEC	-	CAGE CODE	00779
2 PLC ± -	WEIGHT	-	DRAWING NO	C-1483355-3
3 PLC ± -				
4 PLC ± -				
ANGLES ± -				
	CUSTOMER DRAWING		SCALE	52
			SHEET	1 OF 1
			REV	A

XXXXXXXXXXXX DATE: -
 ALL RIGHTS RESERVED.
 By Tyco Electronics Nederland B.V.
 THIS DRAWING IS UNPUBLISHED.
 COPYRIGHT -