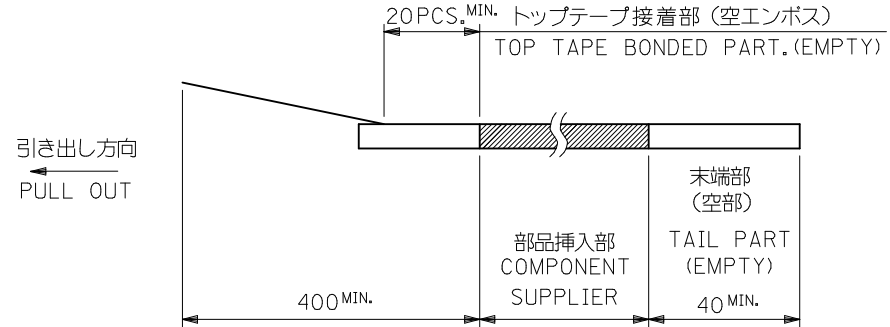
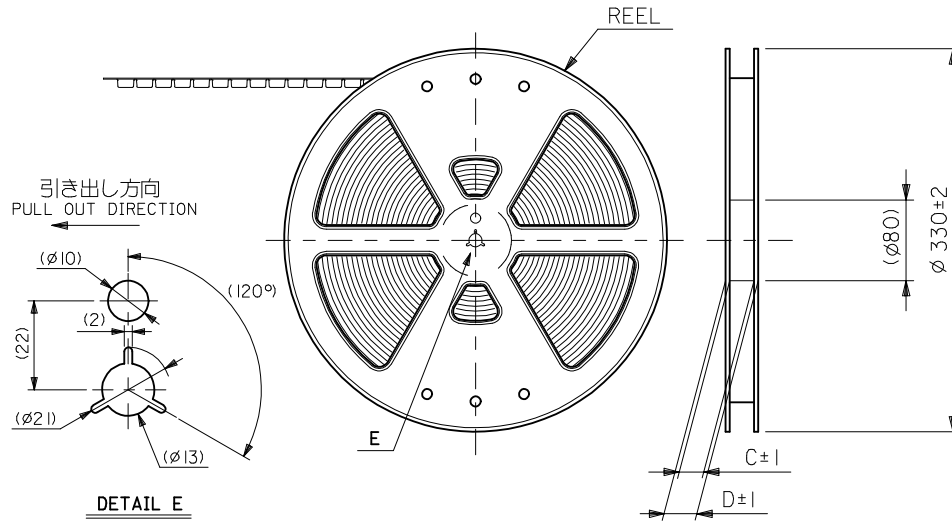


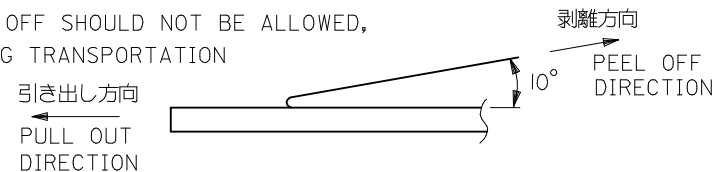
注記 NOTES

- 製品番号 52559-\*\*\*19 の梱包状態はアクチュエータがロックした状態とする。  
 詳細寸法については図面 SD-52559-027 を参照下さい。  
 IN THE PACKAGE,ACTUATOR OF PART NO.52559-\*\*\*19 SHOULD BE LOCKED  
 RE DETAILED DIMENSIONS,SEE SD-52559-027
- 梱包数量：1000個/リール  
 NUMBER OF CONNECTORS:1000PCS/REEL
- リードテープ長さ LEAD TAPE LENGTH



- トップテープの剥離強度：(剥離方向は下図参照)  
 0.1~1.3N {10gf~130gf} 尚、本規格値は、出荷時に適用。  
 (但し、輸送時に剥離が発生しない事。)

PEELING OFF FORCE OF TOP TAPE  
 0.1~1.3N{10gf~130gf}(PEELING DIRECTION AS SHOWN IN FOLLOWING FIG.)  
 THIS REQUIREMENT SHOULD BE APPLIED AT SHIPMENT  
 PEEL OFF SHOULD NOT BE ALLOWED,  
 DURING TRANSPORTATION



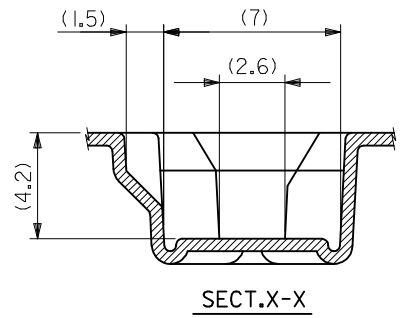
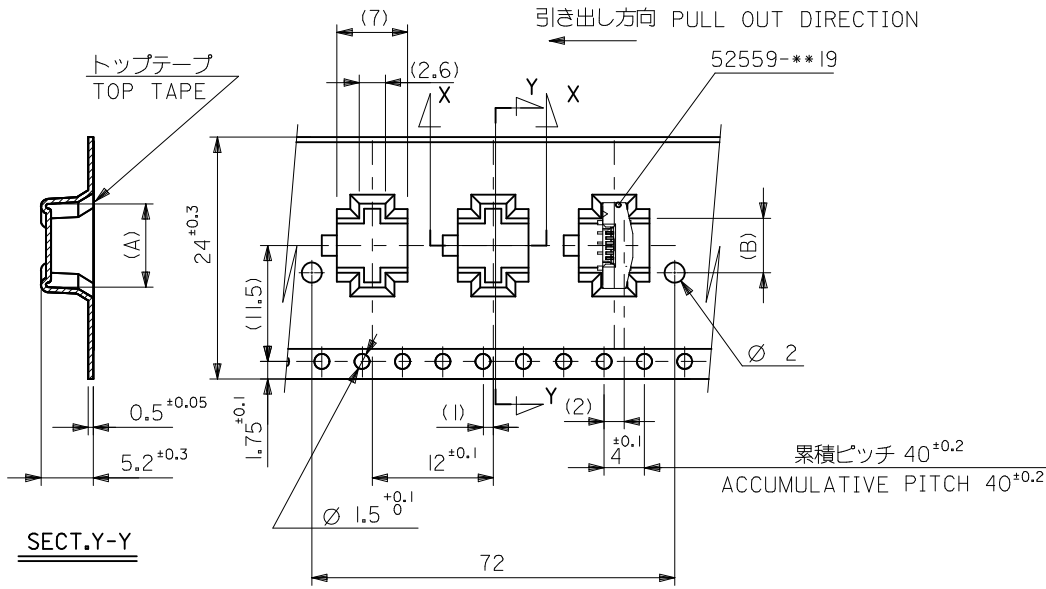
- 材料  
 キャリアテープ:ポリプロピレン (PP)  
 トップテープ:PET, PE, PEF  
 リール:ポリスチレン (PS) <リサイクル材を含む>

MATERIAL CARRIER TAPE:POLYPROPYLENE  
 TOP TAPE:PET,PE,PEF  
 REEL:POLYSTYREN(PS)  
 <RECYCLE MATERIAL CONTAINED>

- 本製品は 52559-\*\*\*92の鉛フリー品である。  
 THIS PRODUCT IS LEAD FREE OF 52559-\*\*\*92
- 本製品は乾燥剤入り、ハイバリア梱包仕様である。  
 THIS PRODUCT IS HIGH BARRIER PACKAGE WITH DESICCANT.

52559-\*\*\*72  
 MODEL NO.

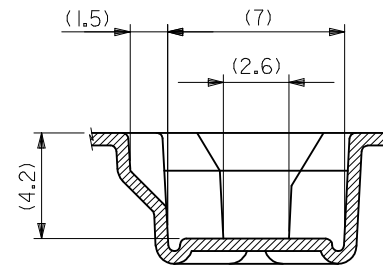
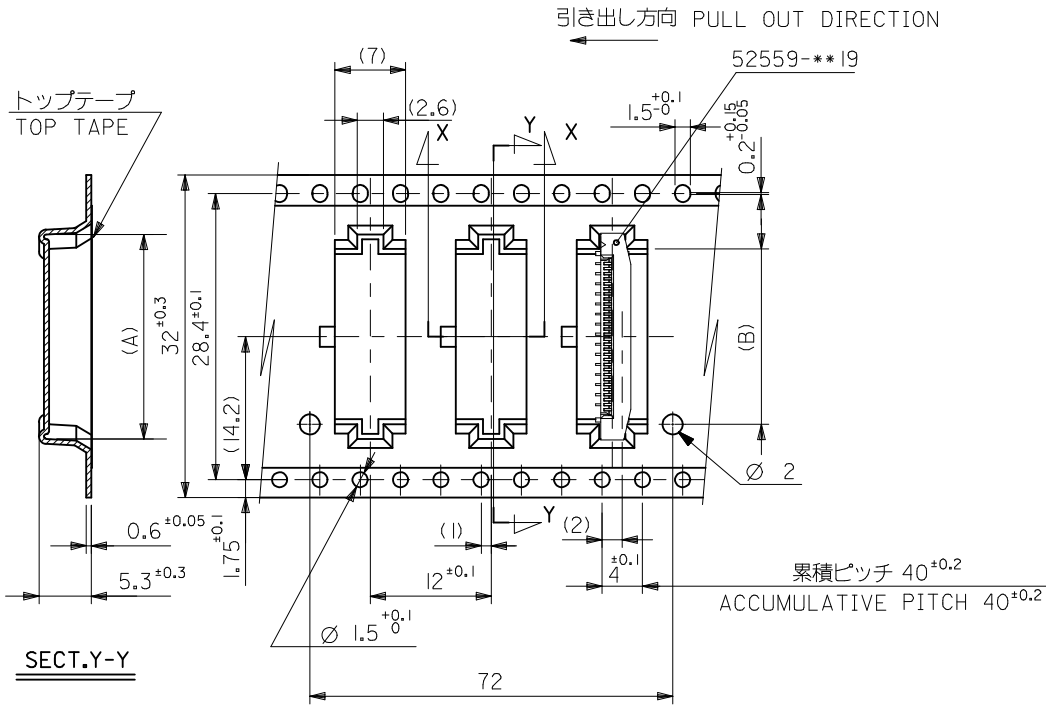
REVISED EC NO.: J2009-2061 DRWN:TKON 2009/05/20 CHKD:HATSUMOTO 2009/05/21 APPR:NIKIITA 2009/05/21	GENERAL TOLERANCES (UNLESS SPECIFIED)		DIMENSION STYLE MM ONLY	SCALE ---	DESIGN UNITS METRIC	THIRD ANGLE PROJECTION
	10 UNDER	±0.2	DRAWN BY H. SHIMABUKUR	DATE 2004/01/07	TITLE 0.5 FPC CONN ASSY ZIF SMT ST EMBSTP PKG -LEAD FREE-	
	10 OVER 30 UNDER	±0.25	CHECKED BY K. TOJO	DATE 2004/01/07	MOLEX INCORPORATED	
	30 OVER	±0.3	APPROVED BY M. SASAO	DATE 2004/01/07	DOCUMENT NO. SD-52559-028	SHEET NO. 1 OF 4
REV	DESCRIPTION	ANGULAR ±3 °	MATERIAL NO. SEE SHEET 2-4	THIS DRAWING CONTAINS INFORMATION THAT IS PROPRIETARY TO MOLEX INCORPORATED AND SHOULD NOT BE USED WITHOUT WRITTEN PERMISSION		
DRAFT WHERE APPLICABLE MUST REMAIN WITHIN DIMENSIONS						



24	29.4	25.4	14.4	17.3	52559-2472	24
			13.9	16.8	52559-2372	23
			12.9	15.8	52559-2172	21
			12.4	15.3	52559-2072	20
			10.9	13.8	52559-1772	17
			10.4	13.3	52559-1672	16
			9.9	12.8	52559-1572	15
			9.4	12.3	52559-1472	14
			8.4	11.3	52559-1272	12
			7.4	10.3	52559-1072	10
			6.9	9.8	52559-0972	9
5.4	8.3	52559-0672	6			

REVISED		EC NO.: J2009-2061		2009/05/20		2009/05/21		2009/05/21	
DRWN:TKON		CHKD:HMATSUMOTO		APPR:NUKITA					
DESCRIPTION		GENERAL TOLERANCES (UNLESS SPECIFIED)		DIMENSION STYLE		SCALE		DESIGN UNITS	
10 UNDER		±0.2		MM ONLY		---		METRIC	
10 OVER 30 UNDER		±0.25		DRAWN BY DATE		TITLE		THIRD ANGLE PROJECTION	
30 OVER		±0.3		H. SHIMABUKUR 2004/01/07		0.5 FPC CONN ASSY ZIF		SMT ST EMBSTP PKG	
ANGULAR		±3 °		CHECKED BY DATE		-LEAD FREE-			
DRAFT WHERE APPLICABLE		MUST REMAIN WITHIN DIMENSIONS		K. TOJO 2004/01/07		MOLEX INCORPORATED			
				APPROVED BY DATE		DOCUMENT NO.		SHEET NO.	
				M. SASAO 2004/01/07		SD-52559-028		2 OF 4	
				MATERIAL NO.		SEE TABLE			
				SIZE		THIS DRAWING CONTAINS INFORMATION THAT IS PROPRIETARY TO MOLEX INCORPORATED AND SHOULD NOT BE USED WITHOUT WRITTEN PERMISSION			
				A3					

10 9 8 7 6 5 4 3 2 1



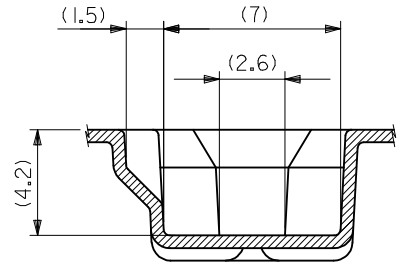
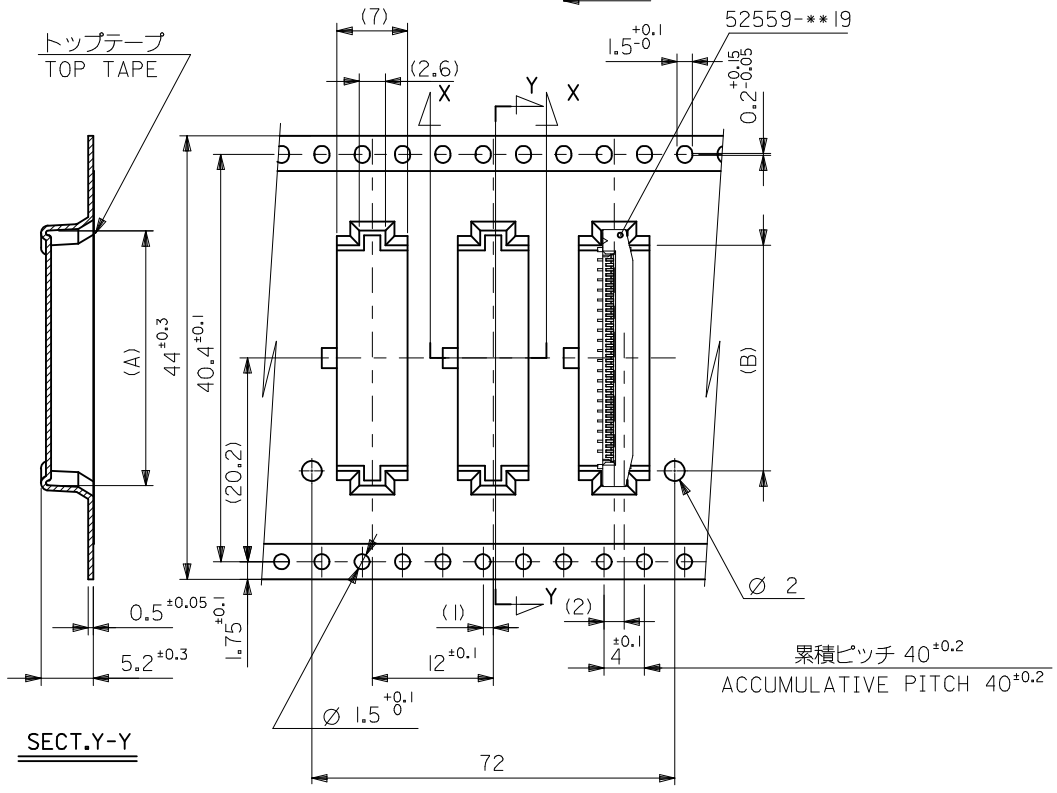
SECT.X-X

SECT.Y-Y

32mm幅キャリアテープ  
32mm WIDTH CARRIER TAPE

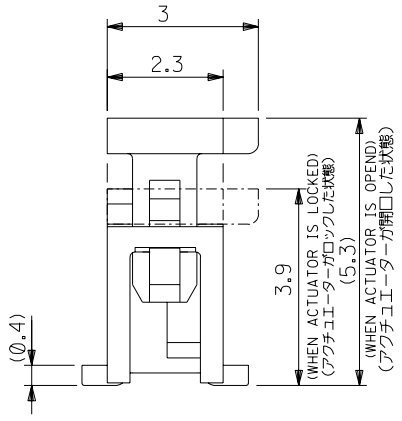
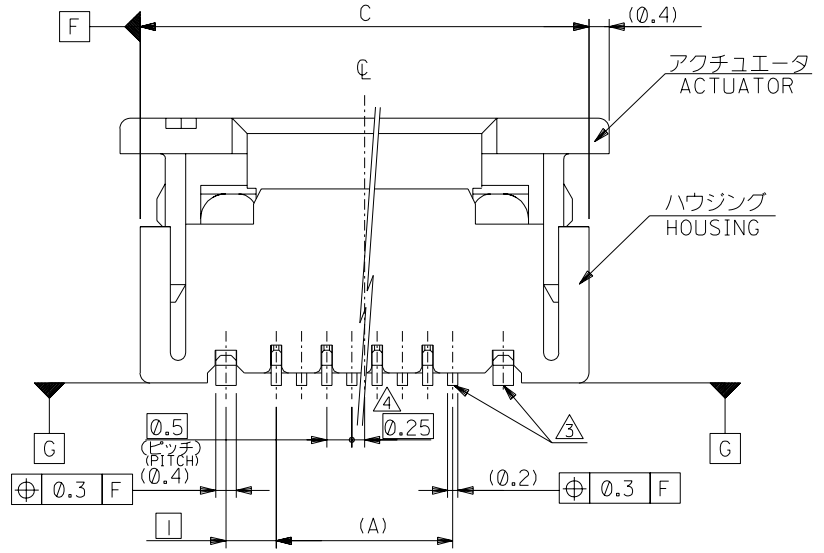
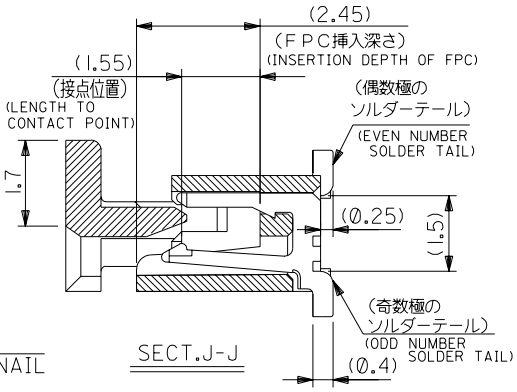
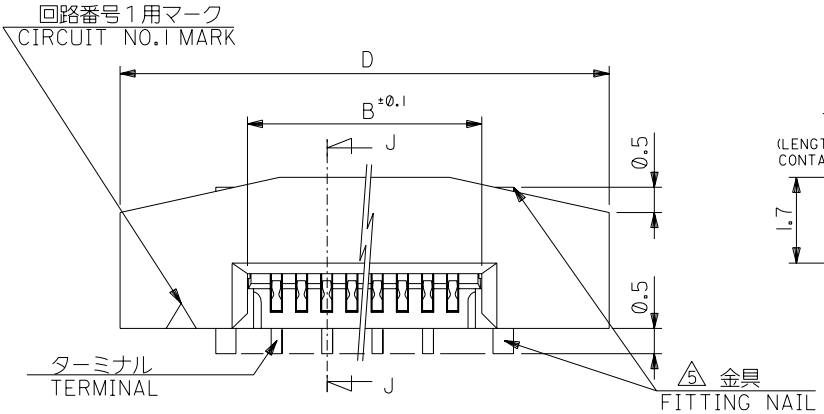
32	37.4	33.4	18.4	21.3	52559-3272	32	
			17.4	20.3	52559-3072	30	
			16.4	19.3	52559-2872	28	
			15.9	18.8	52559-2772	27	
			15.4	18.3	52559-2672	26	
MODEL NO.	キャリアテープ幅 CARRIER TAPE WIDTH	D	C	(B)	(A)	MATERIAL NO.	CIRCUIT NO.
GENERAL TOLERANCES (UNLESS SPECIFIED)		DIMENSION STYLE MM ONLY		SCALE ---	DESIGN UNITS METRIC		THIRD ANGLE PROJECTION
10 UNDER	±0.2	DRAWN BY DATE H. SHIMABUKUR 2004/01/07		TITLE 0.5 FPC CONN ASSY ZIF SMT ST EMBSTP PKG -LEAD FREE-			
10 OVER 30 UNDER	±0.25	CHECKED BY DATE K. TOJO 2004/01/07		MOLEX INCORPORATED			
30 OVER	±0.3	APPROVED BY DATE M. SASAO 2004/01/07					
ANGULAR ±3 °		MATERIAL NO.		DOCUMENT NO.		SHEET NO.	
DRAFT WHERE APPLICABLE MUST REMAIN WITHIN DIMENSIONS		SEE TABLE		SD-52559-028		3 OF 4	
SIZE A3		THIS DRAWING CONTAINS INFORMATION THAT IS PROPRIETARY TO MOLEX INCORPORATED AND SHOULD NOT BE USED WITHOUT WRITTEN PERMISSION					

引き出し方向 PULL OUT DIRECTION



44mm幅キャリアテープ  
44mm WIDTH CARRIER TAPE

REVISED	EC NO. J2009-2061	2009/05/20	44	49.4	45.4	22.4	25.3	52559-4072	40	
	DRWN:TKON	2009/05/21	52559-**72	MODEL NO.	44	49.4	45.4	22.4	25.3	52559-3672
CHKD:HMATSUMOTO	2009/05/21	2009/05/21	キャリアテープ幅 CARRIER TAPE WIDTH	D	C	(B)	(A)	MATERIAL NO.	CIRCUIT NO.	
APPR:NUKITA	2009/05/21		GENERAL TOLERANCES (UNLESS SPECIFIED)	DIMENSION STYLE MM ONLY		SCALE ---	DESIGN UNITS METRIC	THIRD ANGLE PROJECTION		
REV	DESCRIPTION		10 UNDER	±0.2	DRAWN BY	DATE	TITLE	0.5 FPC CONN ASSY ZIF SMT ST EMBSTP PKG -LEAD FREE-		
			10 OVER 30 UNDER	±0.25	H. SHIMABUKUR	2004/01/07		MOLEX INCORPORATED		
			30 OVER	±0.3	CHECKED BY	DATE		DOCUMENT NO.		
			ANGULAR	±3 °	K. TOJO	2004/01/07		SHEET NO.		
			DRAFT WHERE APPLICABLE MUST REMAIN WITHIN DIMENSIONS		APPROVED BY	DATE		SD-52559-028		
					M. SASAO	2004/01/07		4 OF 4		
					MATERIAL NO.			THIS DRAWING CONTAINS INFORMATION THAT IS PROPRIETARY TO MOLEX INCORPORATED AND SHOULD NOT BE USED WITHOUT WRITTEN PERMISSION		
					SIZE					
					A3					



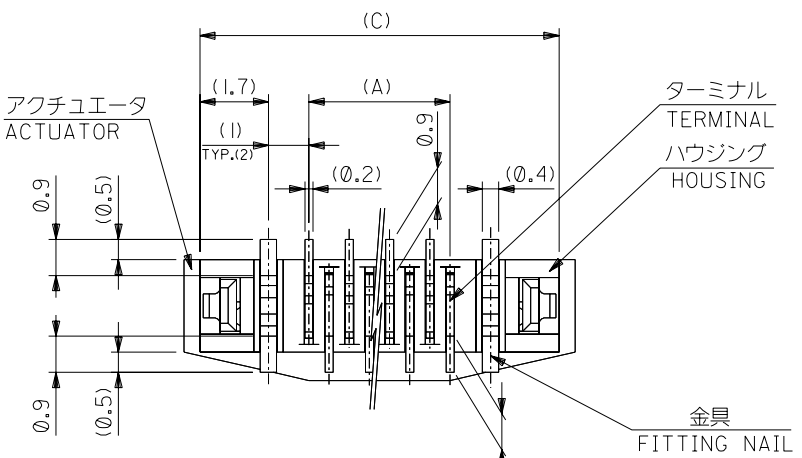
注記 NOTES

- 使用材料 : MATERIAL  
 ハウジング :46NYLON UL94V-0  
 HOUSING  
 アクチュエータ :PPS UL94V-0  
 ACTUATOR  
 ターミナル :リン青銅 (t=0.2)  
 TERMINAL PHOS-BRO  
 :錫ビスマスメッキ 1.0マイクロメートル以上  
 TIN-BISMUTH 1.0 MICROMETER MINIMUM  
 :ニッケル下地 1.0マイクロメートル以上  
 NICKEL(UNDER PLATING) 1.0 MICROMETER MINIMUM  
 金具 :リン青銅 (t=0.4)  
 FITTING NAIL PHOS-BRO  
 :錫メッキ 1.0マイクロメートル以上  
 TIN 1.0 MICROMETER MINIMUM  
 :ニッケル下地 1.0マイクロメートル以上  
 NICKEL(UNDER PLATING) 1.0 MICROMETER MINIMUM
- エンボスステップ梱包時は、アクチュエータがロックした状態とする。  
 IN THE PACKAGE,ACTUATOR OF PART NO.52559-019 SHOULD BE LOCKED.  
 △ソルダータール半田付け面のズレ量、及び金具半田付け面のズレ量は、基準面 G に対し上方向 0.05 MAX. , 下方向 0.15 MAX. とする。  
 MISALIGNMENT OF SOLDER TAILS AND FITTING NAILS FROM UPPER DIRECTION: 0.05 MAX. , LOWER DIRECTION: 0.15 MAX.  
 △偶数種に適用。  
 APPLY FOR EVEN CIRCUIT.  
 △パターンはくり止め用金具。  
 FITTING NAIL FOR PREVENTION OF PEELING OF P.C.B. PATTERN.  
 △R0.3は、FPCの導体部にかからないこと。  
 R0.3 MUST NOT BE OVERLAPPED TO PATTERN OF FPC.  
 7.本製品は 52559-019 の鉛フリー品である。  
 THIS PRODUCT IS LEAD FREE OF 52559-019

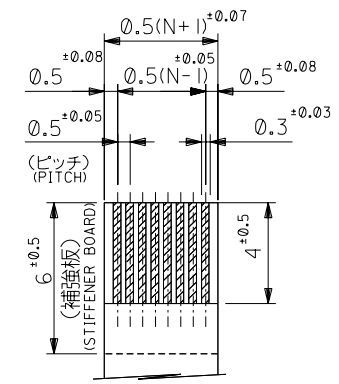
DO NOT SCALE DRAWING

64NO. DRWN: CH'K: APPR: 63NO. DRWN: CH'K: APPR: 62NO. DRWN: CH'K: APPR:		REVISED 61NO. J2004-3551 DRWN: H. KAWABATA 04/04/05 CH'K: K. TOJO 04/04/05 APPR: H. Sato 04/04/05		RELEASED 60NO. J2004-1818 DRWN: H. SHIMABUKURO 04/01/07 CH'K: K. TOJO 04/01/07 APPR: H. Sato 04/01/07		MATERIAL 材料 注記参照 SEE NOTES		GENERAL TOLERANCES: (UNLESS SPECIFIED) 一般公差 10 UNDER 未満 ±0.2 10 OVER 以上 30 UNDER 未満 ±0.25 30 OVER 以上 ±0.3		SCALE 1:1 DESIGN UNITS 単位 mm INCH		2RD ANGLE PROJECTION DIMENSIONS: mm INCH mm ONLY SHT 1 OF 2 REV B CAD ONLY		MODEL NO. 52559-019	
WIRE RANGE 適用層線範囲 INS. RANGE 被覆外径								TITLE: 0.5 FPC Conn. Assy ZIF. -LEAD FREE-		MOLEX MOLEX INCORPORATED		MATERIAL NO. SEE CHART DRAWING NO. SD-52559-045 SHEET NO. 1 OF 2			
7888 DRAWING CONTAINS INFORMATION THAT IS PROPRIETARY TO MOLEX INCORPORATED AND SHOULD NOT BE USED WITHOUT WRITTEN PERMISSION.										SIZE B		EN-02J(097) MXJ-54			

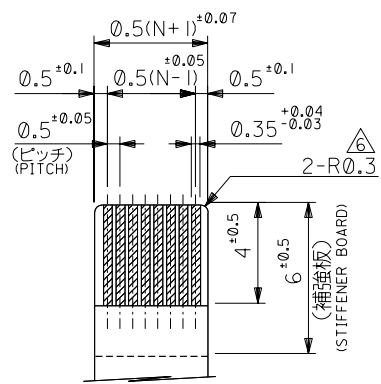
DWG. NO. SD-52559-045



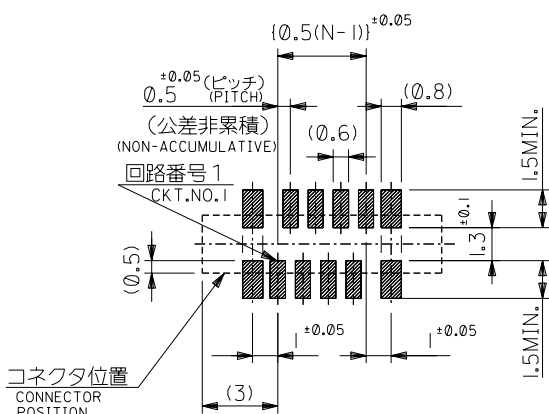
下面図  
BOTTOM VIEW



適合FPC推奨寸法  
APPLICABLE FPC  
RECOMMENDED DIMENSION.  
(仕上がり厚さ: 0.3 ±0.05)  
(THICKNESS: 0.3 ±0.05)



適合FPC推奨寸法  
APPLICABLE FPC  
RECOMMENDED DIMENSION.  
(仕上がり厚さ: 0.3 ±0.05)  
(THICKNESS: 0.3 ±0.05)



FPCについて:  
打抜き方向は導体側から補強板側を推奨致します。  
補強フィルム材質はポリイミドを推奨致します。  
接着剤は熱硬化接着剤を推奨致します。

ABOUT FPC:  
RECOMMENDED PUNCHER DIRECTION: FROM CONDUCTOR SIDE TO STIFFENER BOARD SIDE.  
RECOMMENDED MATERIAL:  
STIFFENER FILM: POLYIMIDE  
BONDING AGENT: THERMOSETTING BONDING AGENT

25.7	24.9	20.65	19.5	52559-4019	40
23.7	22.9	18.65	17.5	-3619	36
22.2	21.4	17.15	16.0	-3319	33
21.7	20.9	16.65	15.5	-3219	32
21.2	20.4	16.15	15.0	-3119	31
20.7	19.9	15.65	14.5	-3019	30
20.2	19.4	15.15	14.0	-2919	29
19.7	18.9	14.65	13.5	-2819	28
19.2	18.4	14.15	13.0	-2719	27
18.7	17.9	13.65	12.5	-2619	26
18.2	17.4	13.15	12.0	-2519	25
17.7	16.9	12.65	11.5	-2419	24
17.2	16.4	12.15	11.0	-2319	23
16.7	15.9	11.65	10.5	-2219	22
16.2	15.4	11.15	10.0	-2119	21
15.7	14.9	10.65	9.5	-2019	20
15.2	14.4	10.15	9.0	-1919	19
14.7	13.9	9.65	8.5	-1819	18
14.2	13.4	9.15	8.0	-1719	17
13.7	12.9	8.65	7.5	-1619	16
13.2	12.4	8.15	7.0	-1519	15
12.7	11.9	7.65	6.5	-1419	14
12.2	11.4	7.15	6.0	-1319	13
11.7	10.9	6.65	5.5	-1219	12
11.2	10.4	6.15	5.0	-1119	11
10.7	9.9	5.65	4.5	-1019	10
10.2	9.4	5.15	4.0	-0919	9
9.7	8.9	4.65	3.5	-0819	8
8.7	7.9	3.65	2.5	52559-0619	6
D	C	B	(A)	MATERIAL NO.	極数

DO NOT SCALE DRAWING

図番 NO. DRAWN: CH'K: APPR:	図番 NO. DRAWN: CH'K: APPR:	図番 NO. DRAWN: CH'K: APPR:	REVISED 図番 NO. J2004-3551 DRAWN: H.KAWABATA '04/04/05 CH'K: K.TOJO '04/04/05 APPR: H. Saito '04/04/05	RELEASED 図番 NO. J2004-1818 DRAWN: H.SHIMABUKURO '04/01/07 CH'K: K.TOJO '04/01/07 APPR: H. Saito '04/01/07	MATERIAL 材料 注記参照 SEE NOTES
REV	DESCRIPTION	FINISH 仕上げ	WIRE RANGE 適用 線径 範囲	INS. RANGE 被覆 外径	

GENERAL TOLERANCES: (UNLESS SPECIFIED) 一般公差	SCALE 1:1	DESIGN UNITS <input checked="" type="checkbox"/> mm <input type="checkbox"/> INCH	DIMENSIONS: <input type="checkbox"/> mm <input type="checkbox"/> INCH <input checked="" type="checkbox"/> mm ONLY	SHT 2 OF 2 REV
10 UNDER 未満 ±0.2 10 OVER 以上 30 UNDER 未満 ±0.25 30 OVER 以上 ±0.3	DRAWN BY & DATE H.SHIMABUKURO '04/01/07	CHECKED BY & DATE K.TOJO '04/01/07	APPROVED BY & DATE H. Saito '04/01/07	TITLE: 0.5 FPC Conn. Assy ZIF. -LEAD FREE-
ANGLE 角度 ±3°	CAD FILENAME SD-52559-045.S02	MATERIAL NO. SEE CHART	DRAWING NO. SD-52559-045	SHEET NO. 2 OF 2
THIS DRAWING CONTAINS INFORMATION THAT IS PROPRIETARY TO MOLEX INCORPORATED AND SHOULD NOT BE USED WITHOUT WRITTEN PERMISSION.				SIZE B

SD-52559-045.S02