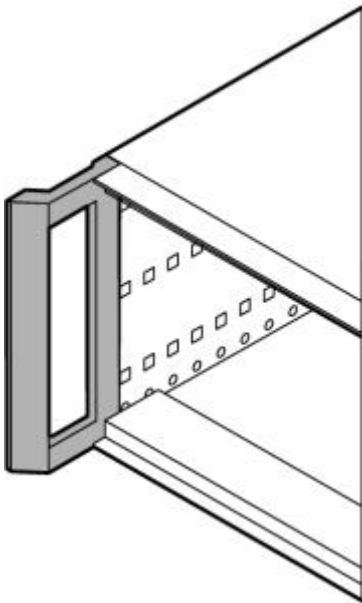


Front handle



Article number: 24571-301

- To add front handle (convert case with trim or 19" mounting angle)

Delivery quantity: kit

Qty	Description
2	Front handle, diecast aluminium, powder-coated RAL 7016

Technical data:

Description	Description
Front handle for ratiopacPRO 3 U	

Schroff®

**Montageanweisung
ratiopac PRO / -air
Griffe / 19"-Winkel**

**Assembly instructions
ratiopac PRO / -air
Front handle/
19" mounting bracket**

**Instruction de montage
ratiopac PRO / -air
Montants-poignées
Montants-équeres de
rackge 19"**

