

10 9 8 7 6 5 4 3 2 1

F

E

D

C

B

A

F

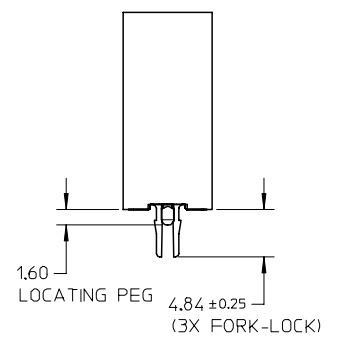
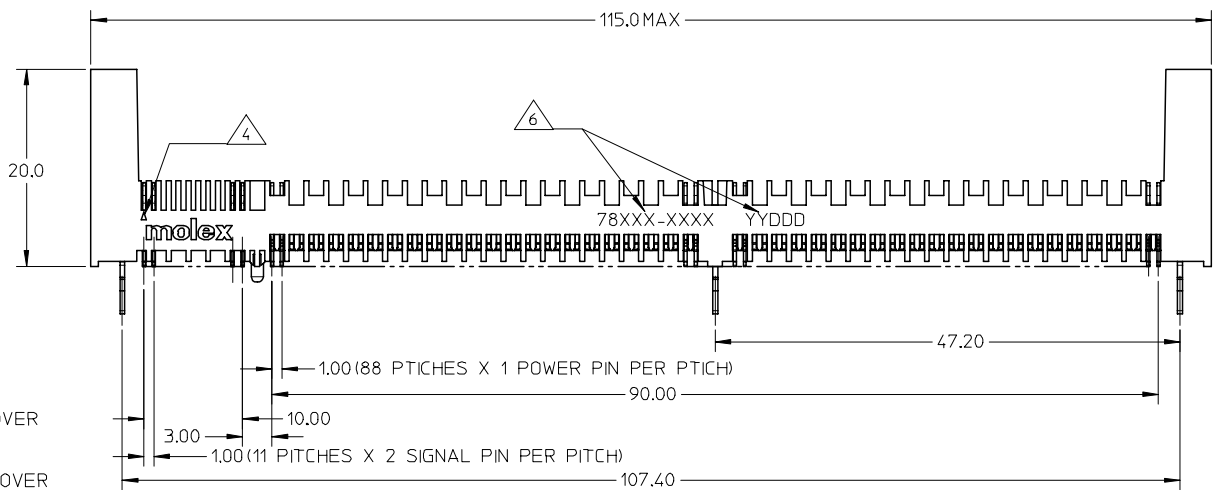
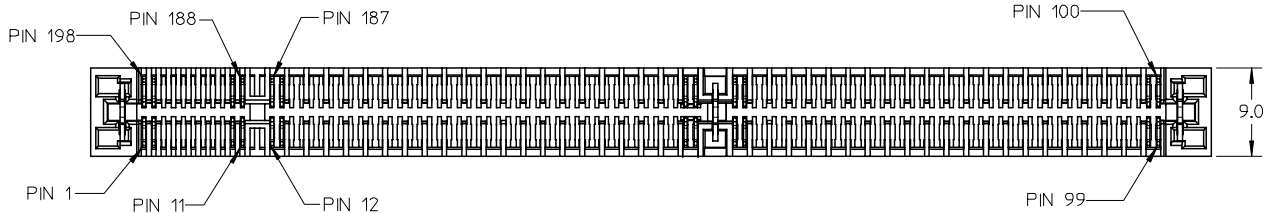
E

D

C

B

A

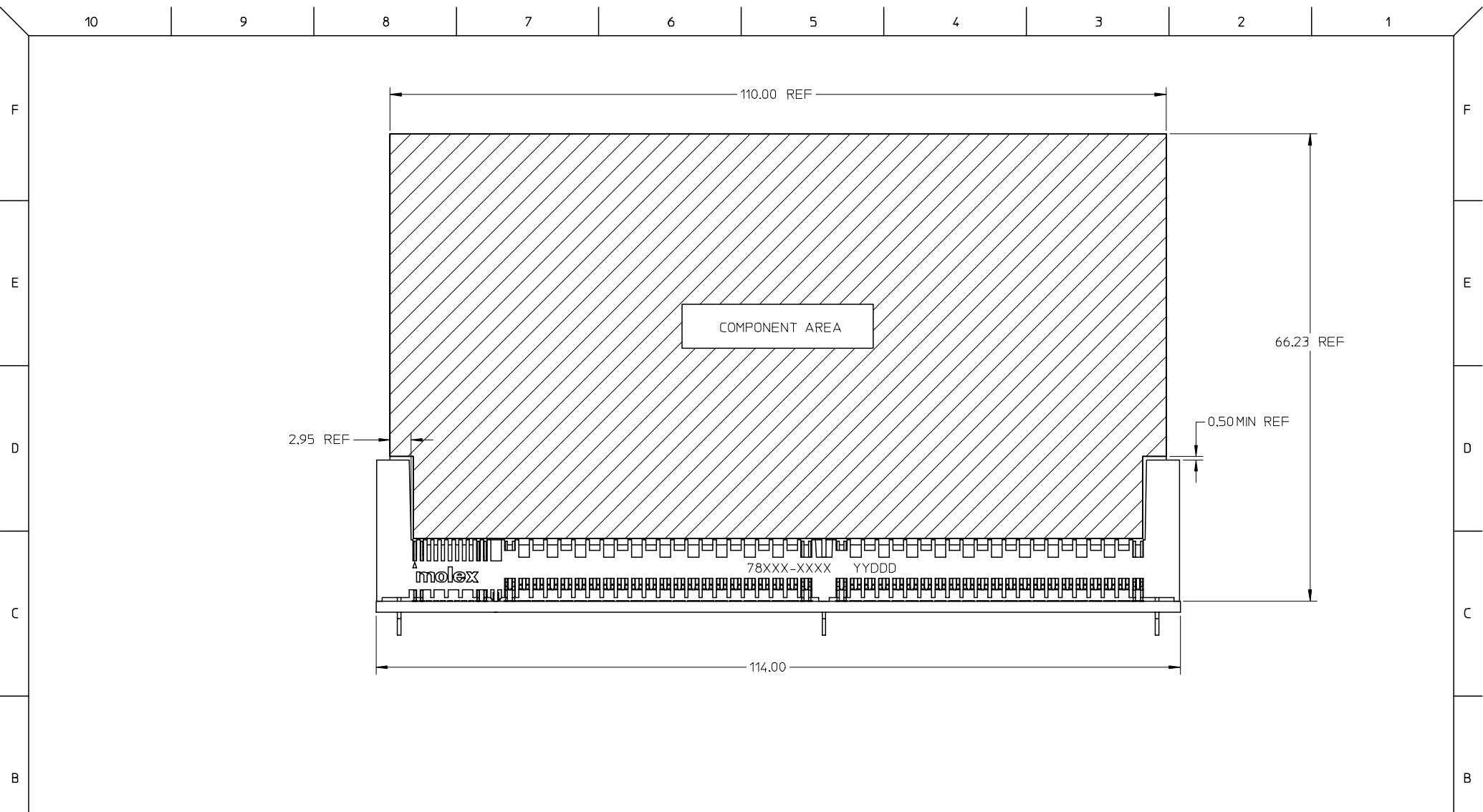


NOTES:

1. MATERIAL :
HOUSING : LCP
CONTACTS : COPPER ALLOY
FORKLOCKS : COPPER ALLOY
2. FINISH :
CONTACTS : 0.76um (30u") MIN GOLD OVER
1.27um (50u") MIN NICKEL
SOLDER TAIL : 3.81um (150u") MIN TIN OVER
1.27um (50u") MIN NICKEL
3. THIS DRAWING IS BASED UPON PIN CONFIGURATION OF 22 SIGNALS and 88 POWER PINS.
a) THE OVERALL CONNECTOR LENGTH INCREASES BY 1.00mm FOR EVERY ADDITIONAL 2 SIGNAL PINS.
b) THE OVERALL CONNECTOR LENGTH INCREASES BY 2.00MM FOR EVERY ADDITIONAL 2 POWER PINS.
4. MOLDING PIN #1 INDICATOR
5. FORKLOCK TO BE SOLDERED ONTO PCB BOARD.
6. PART NUMBER AND DATE CODE (YYDDD) TO BE LASER MARK ONTO HOUSING.
7. EXTERNAL MEANS OF MECHANICAL HOLD DOWN DEVICES ARE NEEDED FOR THE SHOCK AND VIBRATION.
8. SPECIFICATIONS:
PRODUCT SPECIFICATION: PS-87810-008
9. PART PACK IN TRAY.

ADD NOTES EC NO: S2006-1240 DRWN:KLOKE CHKD:BLW APPR:PTL IM	2006/06/29 2006/06/30 2006/06/30	QUALITY SYMBOLS ▽=0 ▽=0	GENERAL TOLERANCES (UNLESS SPECIFIED)		DIMENSION STYLE MM ONLY		SCALE NTS	DESIGN UNITS METRIC	THIRD ANGLE PROJECTION																	
			<table border="1"> <thead> <tr> <th></th> <th>mm</th> <th>INCH</th> </tr> </thead> <tbody> <tr> <td>4 PLACES</td> <td>± ---</td> <td>± ---</td> </tr> <tr> <td>3 PLACES</td> <td>± ---</td> <td>± ---</td> </tr> <tr> <td>2 PLACES</td> <td>± 0.13</td> <td>± ---</td> </tr> <tr> <td>1 PLACE</td> <td>± 0.25</td> <td>± ---</td> </tr> </tbody> </table>			mm	INCH	4 PLACES	± ---	± ---	3 PLACES	± ---	± ---	2 PLACES	± 0.13	± ---	1 PLACE	± 0.25	± ---	DRAWN BY BHLW		DATE 2005/11/02	TITLE LOW PROFILE VRM, 22S-88P CONFIG., SMT, BOARD-LOCK			
		mm	INCH																							
	4 PLACES	± ---	± ---																							
3 PLACES	± ---	± ---																								
2 PLACES	± 0.13	± ---																								
1 PLACE	± 0.25	± ---																								
		ANGULAR ± 3 °		CHECKED BY CGOH		DATE 2005/11/14																				
		DRAFT WHERE APPLICABLE MUST REMAIN WITHIN DIMENSIONS		APPROVED BY PTL IM		DATE 2005/11/14	MOLEX INCORPORATED																			
				MATERIAL NO. SEE TABLE		DOCUMENT NO. SD-78016-010			SHEET NO. 1 OF 5																	

9 8 7 6 5 4 3 2 1

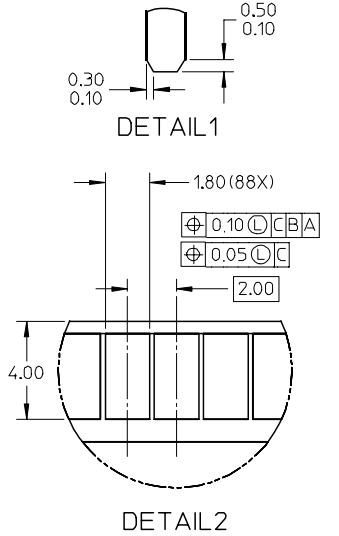
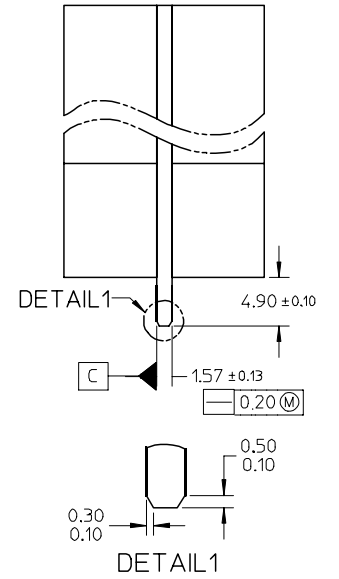
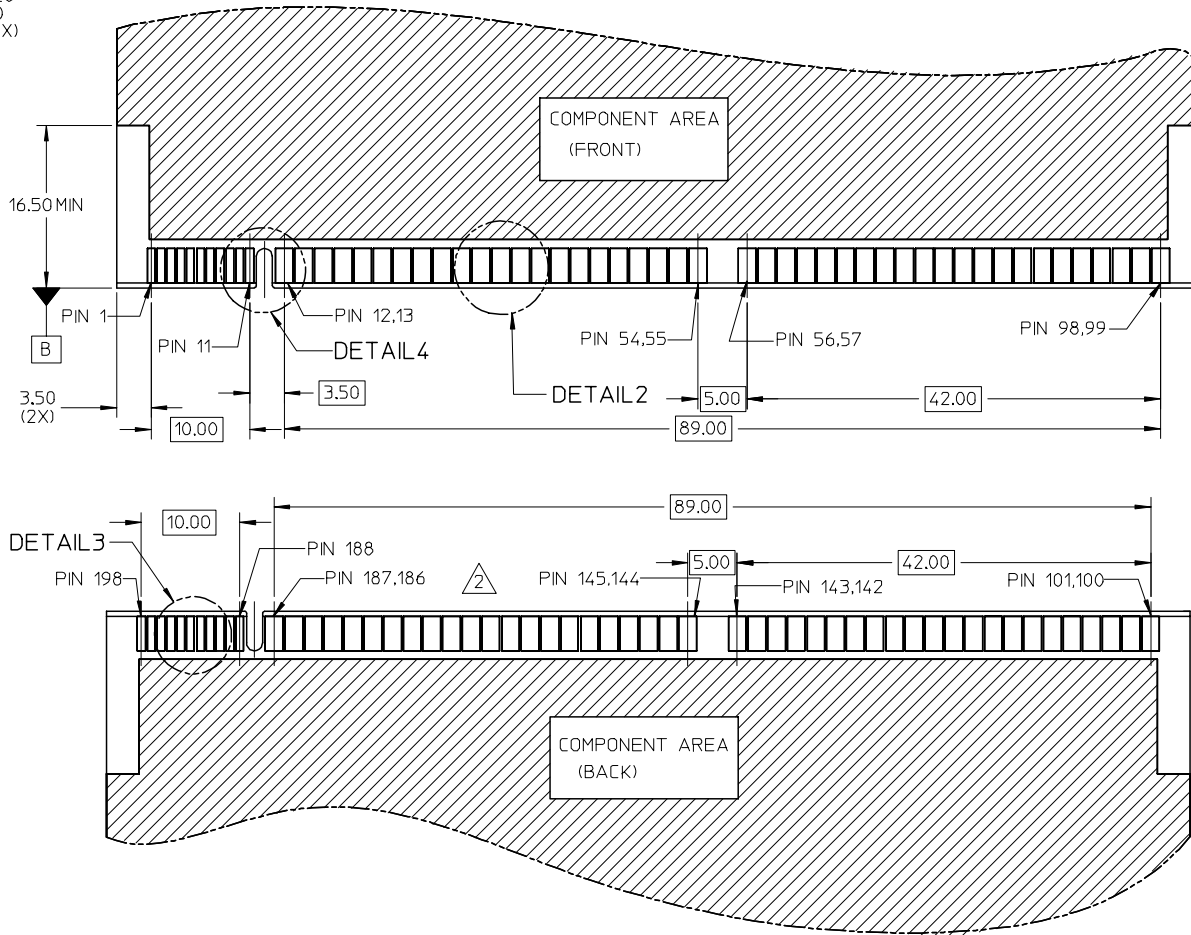
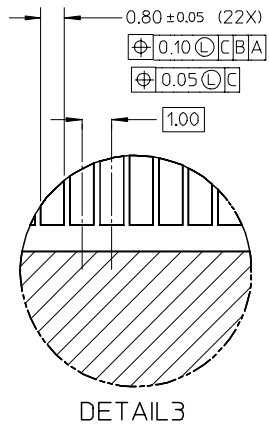
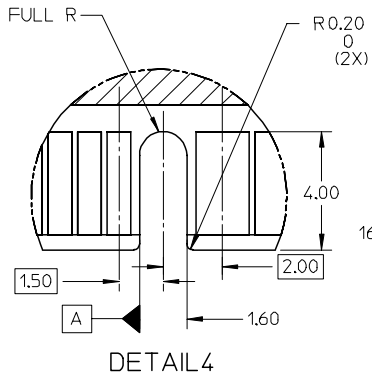


ADD NOTES EC NO: S2006-1240 2006/06/29 DRWN:KLOKE 2006/06/30 CHKD:BLW 2006/06/30 APPR:PTL IM 2006/06/30	QUALITY SYMBOLS =0 =0	GENERAL TOLERANCES (UNLESS SPECIFIED)		DIMENSION STYLE MM ONLY		SCALE NTS	DESIGN UNITS METRIC	THIRD ANGLE PROJECTION		
				DRAWN BY BHLOW	DATE 2005/11/02	TITLE LOW PROFILE VRM, 22S-88P CONFIG., SMT, BOARD-LOCK				
				CHECKED BY CGOH	DATE 2005/11/14	MOLEX INCORPORATED				
				APPROVED BY PTL IM	DATE 2005/11/14	MATERIAL NO. SEE TABLE	DOCUMENT NO. SD-78016-010	SHEET NO. 2 OF 5		
REV A2		DESCRIPTION DRAFT WHERE APPLICABLE MUST REMAIN WITHIN DIMENSIONS		SIZE A3		THIS DRAWING CONTAINS INFORMATION THAT IS PROPRIETARY TO MOLEX INCORPORATED AND SHOULD NOT BE USED WITHOUT WRITTEN PERMISSION				

10 9 8 7 6 5 4 3 2 1

F
E
D
C
B
A

F
E
D
C
B
A



NOTES:

- 1. OPPOSING POWER PADS MUST BE OF THE SAME POLARITY.
- 2. APPLICATION NOTE:
EDGE OF CONTACT PADS SHALL BE FREE OF BURRS AND EXTERNAL TIE BARS.

ADD NOTES	DESCRIPTION
EC NO: S2006-1240	2006/06/29
DRWN:KLOKE	2006/06/30
CHKD:BLW	2006/06/30
APPR:PTL IM	2006/06/30
A2	REV

QUALITY SYMBOLS	▽=0
	△=0

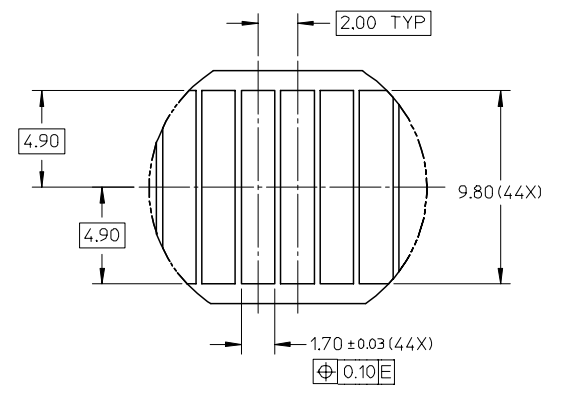
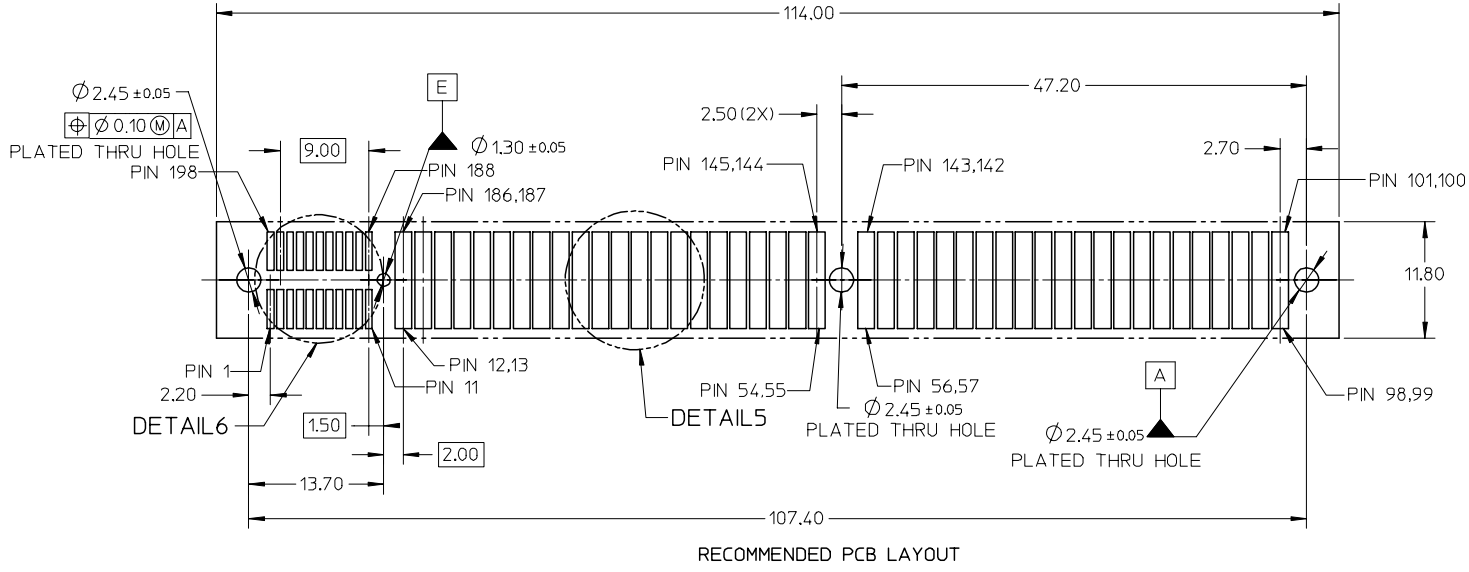
GENERAL TOLERANCES (UNLESS SPECIFIED)	
mm	INCH
4 PLACES ± ---	± ---
3 PLACES ± ---	± ---
2 PLACES ± 0.13	± ---
1 PLACE ± 0.25	± ---
ANGULAR ± 3 °	
DRAFT WHERE APPLICABLE MUST REMAIN WITHIN DIMENSIONS	

DIMENSION STYLE	
MM ONLY	
DRAWN BY	DATE
BHLOW	2005/11/02
CHECKED BY	DATE
CGOH	2005/11/14
APPROVED BY	DATE
PTL IM	2005/11/14
MATERIAL NO.	DOCUMENT NO.
SEE TABLE	SD-78016-010
SIZE	A3

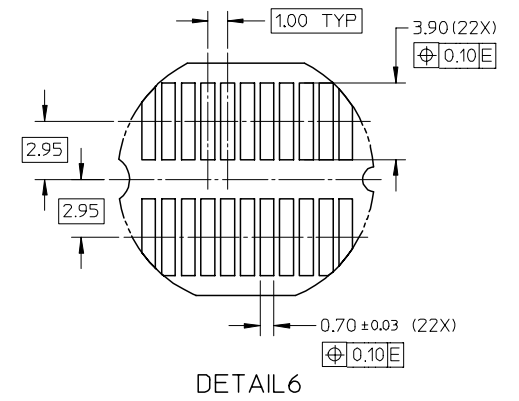
SCALE	DESIGN UNITS	THIRD ANGLE PROJECTION
NTS	METRIC	☉
TITLE		
LOW PROFILE VRM, 22S-88P CONFIG., SMT, BOARD-LOCK		
MOLEX MOLEX INCORPORATED		
DOCUMENT NO.		SHEET NO.
SD-78016-010		3 OF 5
THIS DRAWING CONTAINS INFORMATION THAT IS PROPRIETARY TO MOLEX INCORPORATED AND SHOULD NOT BE USED WITHOUT WRITTEN PERMISSION		

9 8 7 6 5 4 3 2 1

10	9	8	7	6	5	4	3	2	1
PART NUMBER	SIGNAL	POWER	PLATING OPTION	RECOMMENDED PCB THICKNESS					
78016-2001	22	88	TIN	0.062" (1.57MM)					



DETAILS5
POWER SOLDER PAD



DETAIL6

NOTES:
1. PCB LAYOUT BASED UPON SOCKET PIN CONFIGURATION OF 22 SIGNAL PINS AND 88 POWER PINS.

ADD NOTES EC NO: S2006-1240 DRWN:KLOKE CHKD:BLW APPR:PTL IM	2006/06/29 2006/06/30 2006/06/30	DESCRIPTION REV	QUALITY SYMBOLS	GENERAL TOLERANCES (UNLESS SPECIFIED)	DIMENSION STYLE	SCALE	DESIGN UNITS	THIRD ANGLE PROJECTION
			▽=0 ∇=0	mm INCH	MM ONLY	NTS	METRIC	
				4 PLACES ± --- ± --- 3 PLACES ± --- ± --- 2 PLACES ± 0.13 ± --- 1 PLACE ± 0.25 ± --- ANGULAR ± 3 °	DRAWN BY DATE BHLW 2005/11/02 CHECKED BY DATE CGOH 2005/11/14 APPROVED BY DATE PTL IM 2005/11/14	TITLE	LOW PROFILE VRM, 22S-88P CONFIG., SMT, BOARD-LOCK	
			DRAFT WHERE APPLICABLE MUST REMAIN WITHIN DIMENSIONS	MATERIAL NO. SEE TABLE SIZE A3	DOCUMENT NO. SD-78016-010	MOLEX INCORPORATED		SHEET NO. 4 OF 5

10 9 8 7 6 5 4 3 2 1

F

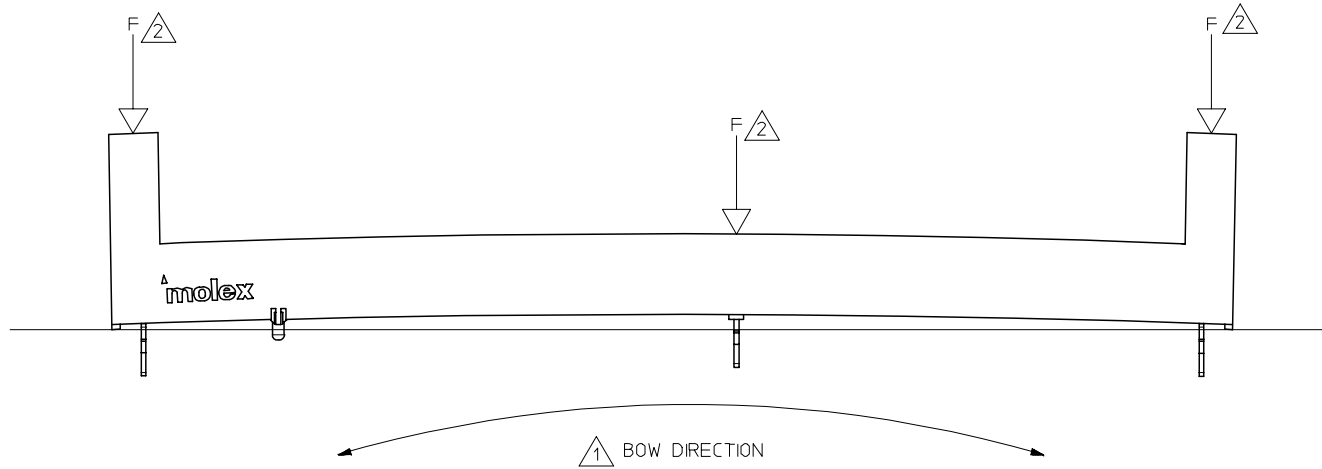
E

D

C

B

A



APPLICATION NOTES:

1 ALLOWABLE BOW SHALL NOT EXCEED 0.35MM IN THIS DIRECTION.

2 CONNECTOR INSERTION FORCE (F) SHOULD BE APPLIED EVENLY AT 3 LOCATIONS TO ENSURE THE CONNECTOR IS PLACED FLATLY ONTO THE PCB SURFACE BEFORE IR.

ADD NOTES EC NO: S2006-1240 2006/06/29 DRWN:KLOKE 2006/06/30 CHKD:BLW 2006/06/30 APPR:PTLIM 2006/06/30	QUALITY SYMBOLS ▽=0 ▽=0	GENERAL TOLERANCES (UNLESS SPECIFIED)		DIMENSION STYLE MM ONLY		SCALE NTS	DESIGN UNITS METRIC	THIRD ANGLE PROJECTION		
			mm	INCH	DRAWN BY BHLOW	DATE 2005/11/02	TITLE LOW PROFILE VRM, 22S-88P CONFIG., SMT, BOARD-LOCK			
		4 PLACES	± ---	± ---	CHECKED BY CGOH	DATE 2005/11/14				
		3 PLACES	± ---	± ---	APPROVED BY PTLIM		DATE 2005/11/14	MOLEX INCORPORATED		
2 PLACES	± 0.13	± ---	MATERIAL NO.		DOCUMENT NO.	SHEET NO.				
1 PLACE	± 0.25	± ---	DRAFT WHERE APPLICABLE MUST REMAIN WITHIN DIMENSIONS		SEE TABLE	SD-78016-010		5 OF 5		
ANGULAR ± 3 °						THIS DRAWING CONTAINS INFORMATION THAT IS PROPRIETARY TO MOLEX INCORPORATED AND SHOULD NOT BE USED WITHOUT WRITTEN PERMISSION				

9 8 7 6 5 4 3 2 1