

FUSEHOLDERS

Panel mount

FPG3

for 5 × 20 mm

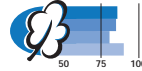
Fuseholder Type FPG3

front side, snap-in fastening shocksafe category PC2 available in lead-free version

NEW



Fingergrip



- bayonet type fuse carrier, slotted or fingergrip
- solder-/quick-connect terminals 4,8 x 0,5 mm
- degree of protection IP40 from front side according to IEC 60529
- sealed from the rear
- suitable for equipment with protection classes I and II according to IEC 60536

Technical data

- Rated voltage: 250 V
- Rated current: 10 A
- Rated power acceptance at ambient air temperature T_a 23 °C: 2,5 W
- Power acceptance at higher T_a : see derating curves
- Take note of the information on pages 215–219
- Allowable ambient air temperatures T_a for accessible parts: -40 °C to +85 °C
- Materials see page 140

Additional technical data see page 140

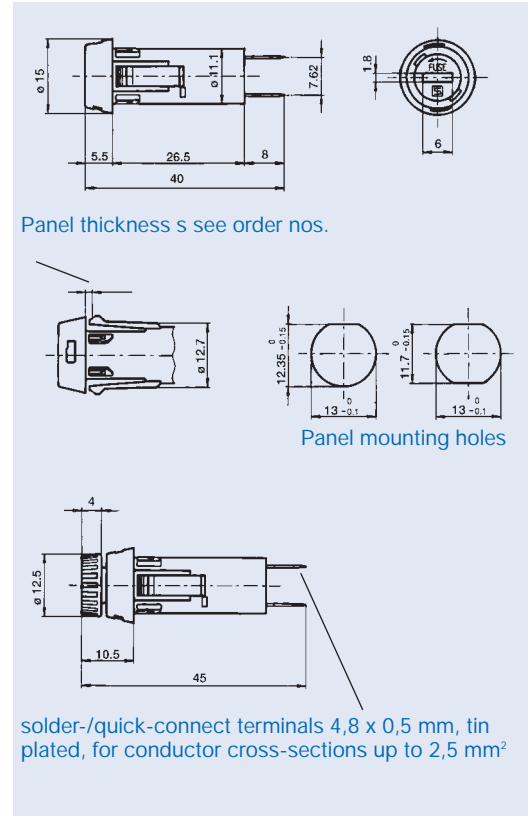
Standards

IEC 60127-6
EN 60127-6
UL 512, CSA C22.2-39

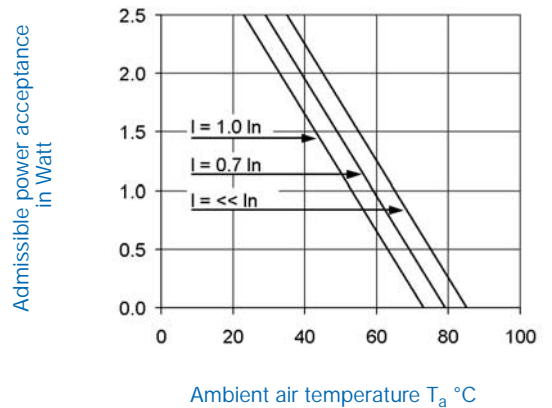
Approvals, Patents

SEV	(10 A/250 V)	UL	(16 A/250 V)
VDE	(10 A/250 V)	CSA	(16 A/250 V)
SEMCO	(10 A/250 V)		

Patents in U.S. (No. 4,453,794/4,536,054) and in further countries



Derating curve



Order No.		Panel thickness s	Fuse carrier	Degree of protection
3101.0030	Fuseholder complete, black	1,0–1,8 mm (1/1,2/1,5/1,8 mm)	slotted	IP 40
3101.0031	Fuseholder complete, black	2,0–3 mm (2/2,2/2,5/3 mm)	slotted	IP 40
3101.0035	Fuseholder complete, black	1,0–1,8 mm (1/1,2/1,5/1,8 mm)	Fingergrip	IP 40
3101.0036	Fuseholder complete, black	2,0–3 mm (2/2,2/2,5/3 mm)	Fingergrip	IP 40

• **New** .BF for lead-free version
Accessories see page 183

**Additional technical data
to fuseholders
Types FPG1 to FPG6**

Technical data

Contact resistance	5 mΩ
Dielectric strength (AC / 1 Min.)	> 3 kV between live parts of different potentials > 4 kV between metal mounting plate and live parts /
Impuls withstand voltage \bar{U} 1,2/50	> 7 kV between live parts of different potentials > 12 kV between metal mounting plate and live parts
Insulation resistance (500 V DC / 1Min.)	> 2x10 ⁶ MΩ between live parts of different potentials > 1x10 ⁶ MΩ between metal mounting plate and live parts
Overvoltage category	I to III
Pollution degree	1 to 3
Clearance and creepage distances	> 3 mm between live parts of different potentials > 8 mm between metal mounting plate and live parts (for appliances of protection class II)
Resistance to vibration	Frequency range 10–500 Hz, cross-over frequency 60 Hz < 60 Hz constant amplitude of 0,75 mm > 60 Hz constant acceleration of 10 g according to IEC 60068-2-6, test Fc
Climatic category	40/085/21 acc. to IEC/EN 60068-1
Terminals: Solderability	Types FPG 1/2/3/6: 350 °C / 2 s according to IEC 60068-2-20, test Ta, method 2 Types FPG 4/5: 350 °C / 2 s according to IEC 60068-2-20, test Ta, method 1
Resistance to soldering heat	Types FPG 1/2/3/6: 350 °C / 10 s according to IEC 60068-2-20, test Tb, method 2 Types FPG 4/5: 350 °C / 5 s according to IEC 60068-2-20, test Tb, method 1B
Materials: Socket and cap	thermoplastic, flammability class UL 94V-0 (nut: UL 94V-1) Temp.-Index RTI > 140 °C (nut: 125 °C), Comparative Tracking-Index CTI > 175
Current conducting parts	copper alloy, protected against corrosion