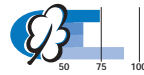


**Power entry module Type KEB I**

- Panel mount:
  - screw-on version, front or rear-side
  - snap-in version, front-side
- Appliance inlet with line switch, 1-pole
- Version with line filter/shield see page 88




We recommend for new applications type DC11

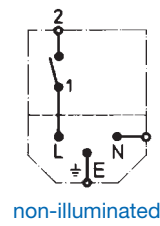
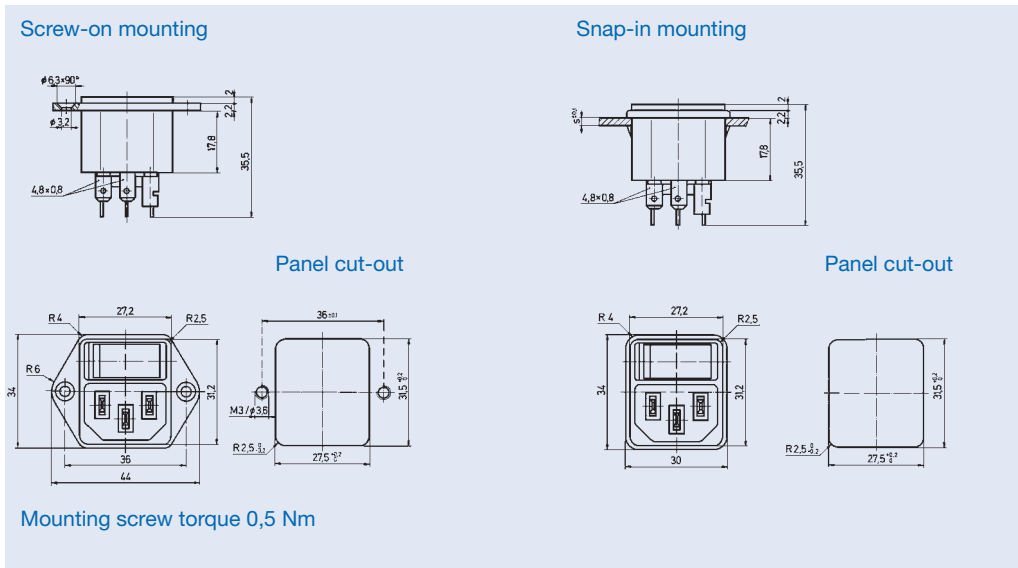
**Characteristics**

- All single elements are already wired.  
Unwired versions available on request.
- Line switch non-illuminated or illuminated.

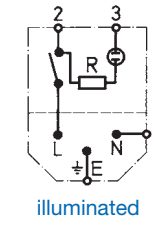
**Technical data**

Rated voltage	250 VAC
Rated current	10 A
Dielectric strength (50 Hz, 1 Min.)	> 3 kV between L-N/ > 4 kV between L/N-PE
Allowable ambient air temperatures T <sub>a</sub>	-25 °C to +70 °C
Degree of protection (front-side)	IP40 acc. to IEC 60529
Protection class	suitable for equipment with prot. cl. I, acc. to IEC 61140
Terminals	quick-connect 4,8 x 0,8 mm/tin-plated
Panel thickness s	screw-on: max. 6 mm snap-in: 1,5/2/2,5 mm
Materials: Housing	Thermoplastic, black, UL94 V-0
Appliance-inlet	 acc. to IEC/EN 60320-1/C14, Protection class I, pin-temperature 70 °C (cold condition)
line switch (Rocker switch)	1-pole, non-illuminated or illuminated, acc. to IEC/EN 61058-1. Technical details see page 200

Dimensions



non-illuminated



illuminated

Order Numbers socket, with internal connections

	Line switch non-illuminated	illuminated 250 V, red	illuminated 125 V, red	Screw	Snap-in, panel-thickness s		
					1,5 mm	2,0 mm	2,5 mm
4302.0001	•			•			
4302.0002	•				•		
4302.0003	•					•	
4302.0004	•						•
4302.0101		•		•			
4302.0102		•			•		
4302.0103		•				•	
4302.0104		•					•
4302.0121			•	•			
4302.0122			•		•		
4302.0123			•			•	
4302.0124			•				•

**Other versions on request:**

- for protection class II
- line switch with other rocker marking
- unwired versions

Accessories see page 171