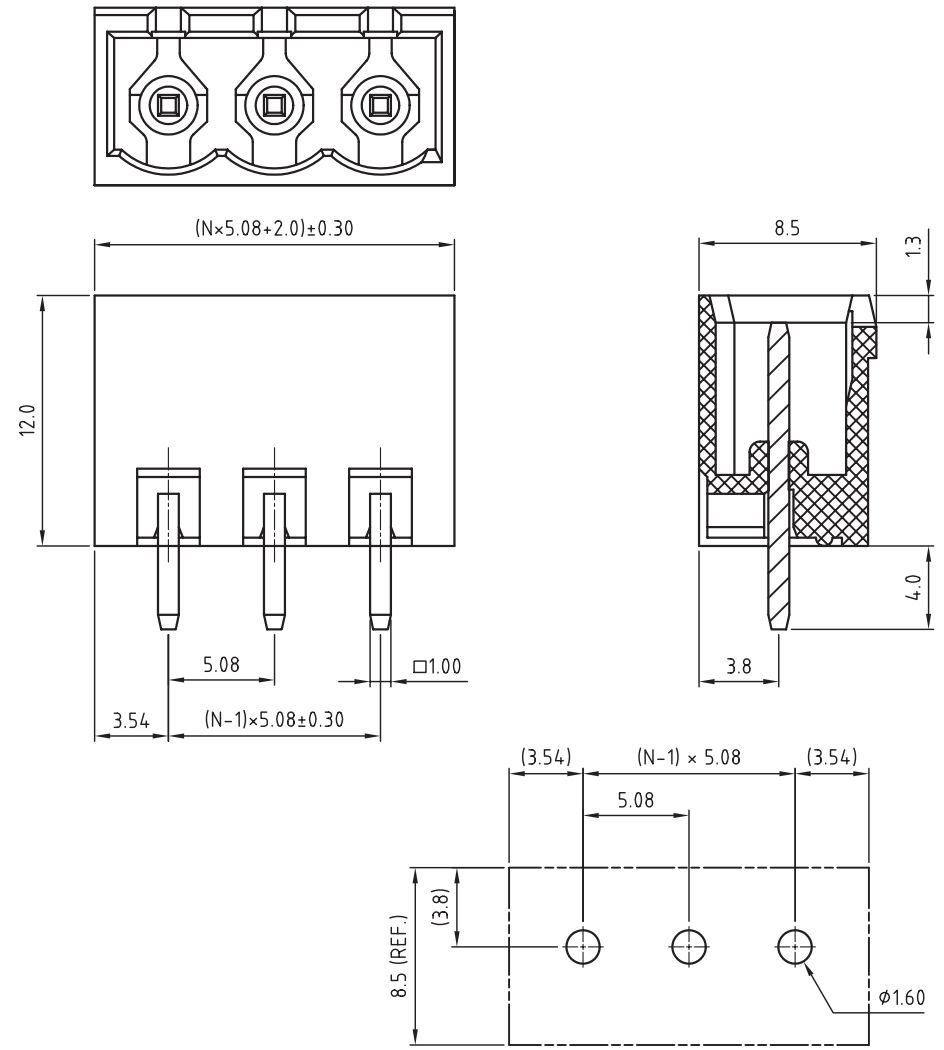


1 2 3 4 5



TECHNICAL CHARACTERISTICS

MATERIAL
 INSULATOR: PBT
 COLOR: GREEN
 CONTACT PIN: BRASS (CuZn)
 SOLDER TAIL PLATING: TIN

ENVIRONMENTAL
 OPERATING TEMPERATURE: -30 UP TO 105°C
 FLAMABILITY RATING: UL94-V0
 COMPLIANCE: LEAD FREE AND ROHS

ELECTRICAL	cULus	VDE
CURRENT RATING:	20A	20A
WORKING VOLTAGE:	300VAC	300VAC
WITHSTANDING VOLTAGE:	1.6KV	2.5KV

MECHANICAL
 PITCH: 5.08MM

SOLDERING: WAVE PROCESS ONLY

PACKAGING
 BOX

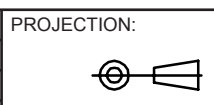
SERIE 311

CERTIFICATION



PCB LAYOUT - COMPONENT VIEW

RoHS Compliant			
G			
F			
E			
D			
C			
B			
A	18-MAR-08	PDF	CH
REV	DATE	FILE	BY



GENERAL TOLERANCE
 .X = +/- 0.2
 .XX = +/- 0.15



APPROVAL: RJ

UNIT: MM
 SCALE:
 SHEET: 1/1
 DRAW: MARVIN

DESCRIPTION: 5.08MM GREEN PCB HEADERS VERTICAL CLOSED ENDS
 WERI PART NO: 691 311 500 1xx

SIZE
A4

A
 B
 C
 D