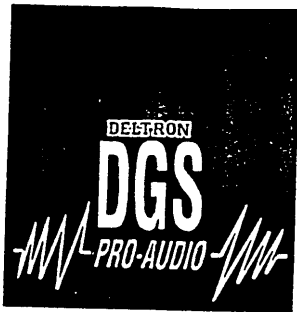


887-730  $\rightarrow$  888-734



# PROFESSIONAL QUALITY MULTIPOLE CONNECTOR (8000 SERIES) - CABLE SOCKET

Sheet No. **PS 0857**

Date : 13.09.96

Issue No. 1

## PRODUCT SPECIFICATION

Sheet 1 of 1

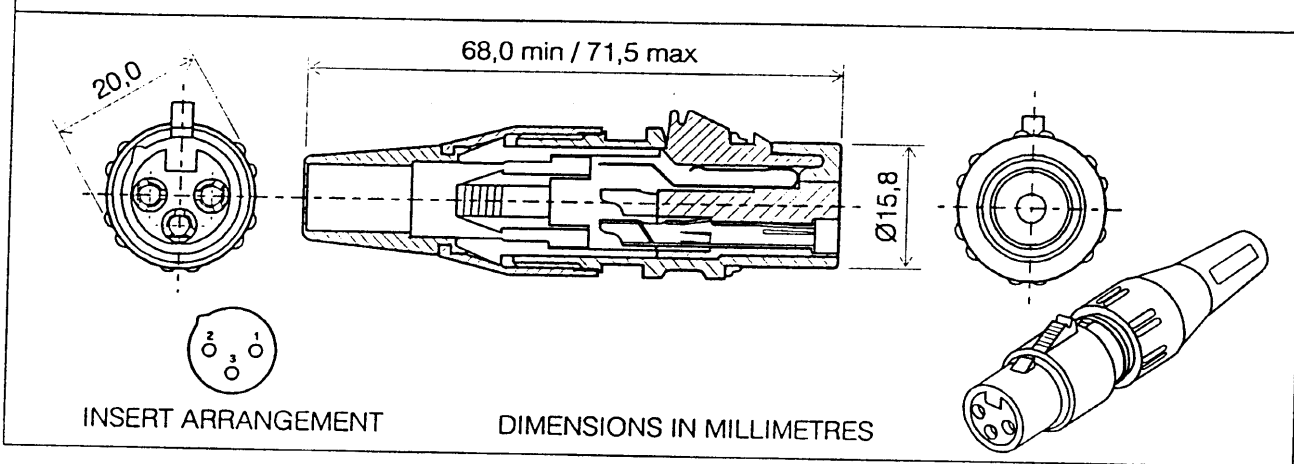
Signature

Deltron Part No.

3 Way

Silver Contacts		Gold Contacts	
Nickel	Black	Nickel	Black
<b>800-0300</b>	<b>804-0300</b>	<b>802-0300</b>	<b>806-0300</b>

## Dimensions



INSERT ARRANGEMENT

DIMENSIONS IN MILLIMETRES

## Description

A range of audio & video connectors incorporating many innovative features. Assembly and disassembly is screwless and is achieved by a few quick turns of the back shell.

- a single piece latch which is simple to operate, mating smoothly with both lockable and non-latching connectors.
- the strain relief collet ensures a positive cable grip.
- pressed socket contacts which 'float' to assist plug mating, also ensuring a positive 'wrap-round' contact with the pin, since they can 'move' with the pins should any movement occur between mating connectors.
- a range of coloured plastic coding rings, each with a single number moulded in, offer a quick and easy system of channel identification.
- internal design features allow for a quick and simple insert assembly.

(Note : these connectors are not to be used for mains applications)

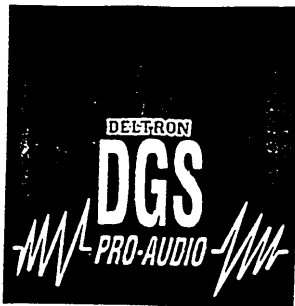
## Features

### Mechanical Properties

- Cable Retention: Chuck and Screw Collar
- Cable Range:  $\varnothing$  2,8mm to  $\varnothing$  8,0mm
- Housing: Zinc high pressure diecasting satin nickel or black chrome
- Contact Base: Valox DR48
- Contacts: Phos Bronze (pressed), 3  $\mu$  silver anti-tarnish finish, or 0,5  $\mu$  gold
- Latch: Zinc high pressure diecasting satin nickel or black chrome
- Strain Relief: P.V.C. (black)
- Sealing Ring: Santoprene (UL 94 HB)
- Chuck: Acetal (UL 94 HB)
- Screw Collar: Polycarbonate, 10% glass-filled Lexan, black
- Screen: Spring Steel, 3  $\mu$  silver anti-tarnish
- Interchangeable Connector Ident Options: Spring-on coloured rings Acetal (UL94 HB) Black, Brown, Red, Orange, Yellow, Green, Blue, Violet Grey, White
- Operating Temp: -30°C to +80°C
- Insertion Force:  $\leq$  20N
- Withdrawal Force:  $\leq$  10N
- Min No. Insertions: 5000

### Electrical Properties

- Number of Contacts: 3
- Rated Current per Contact: 16 Amps
- Maximum Wire Size (solid): 10 AWG
- Cap. Between Contacts: 6.0 mm<sup>2</sup>
- Rated Voltage:  $\leq$  4 pf
- Test Voltage: 250 Volts a.c.
- Contact Resistance: 1500 Volts a.c.
- Insulation Resistance:  $\leq$  3 milli-ohms
- Insulation Resistance:  $\geq$  1 giga-ohms



# PROFESSIONAL QUALITY MULTIPOLE CONNECTOR (8000 SERIES) - CABLE SOCKET

Sheet No. **PS 0859**

Date : 16.09.96

Issue No. 1

Sheet 1 of 1

Signature

## PRODUCT SPECIFICATION

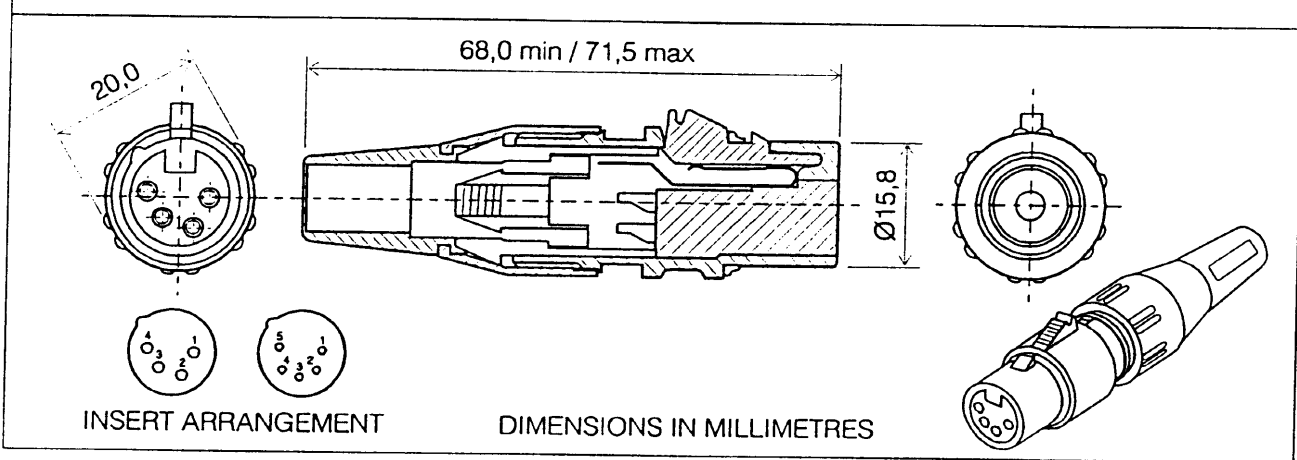
Deltron Part No.

4 Way

5 Way

Silver Contacts		Gold Contacts	
Nickel	Black	Nickel	Black
<b>800-0400</b>	<b>802-0400</b>	<b>804-0400</b>	<b>806-0400</b>
<b>800-0500</b>	<b>802-0500</b>	<b>804-0500</b>	<b>806-0500</b>

## Dimensions



## Description

A range of audio and video connectors incorporating many innovative features. Assembly and disassembly is screwless and is achieved by a few quick turns of the back shell.

- a single piece latch which is simple to operate, mating smoothly with both lockable and non-latching connectors.

- the strain relief collet ensures a positive cable grip.

- generous solder buckets enable easier cable assembly as well as catering for larger conductor sizes.

- a range of coloured plastic coding rings is also available, each with a single number moulded in, offering a quick and easy system of channel identification.

- internal design features allow for a quick and simple insert assembly.

(Note : these connectors are not to be used for mains applications.)

## Features

### Mechanical Properties

Cable Retention	Chuck and Screw Collar
Cable Range	Ø 2,8mm to Ø 8,0mm
Housing	Zinc high pressure diecasting satin nickel or black chrome
Contact Base	Valox DR48
Contacts	Brass, 3 µ silver anti-tarnish finish, or 0,5 µ gold
Latch	Zinc high pressure diecasting satin nickel or black chrome
Strain Relief	P.V.C. (black)
Sealing Ring	Santoprene (UL 94 HB)
Chuck	Acetal (UL 94 HB)
Screw Collar	Polycarbonate, 10% glass-filled Lexan, black
Screen	Spring Steel, 3 µ silver anti-tarnish
Interchangeable	Spring-on coloured rings
Connector Ident	Acetal (UL94 HB)
Ident Options	Black, Brown, Red, Orange, Yellow, Green, Blue, Violet Grey, White
Operating Temp	-30°C to +80°C
Insertion Force	≤ 20N
Withdrawal Force	≤ 10N
Min No. Insertions	5000

### Electrical Properties

Number of Contacts	4 or 5
Rated Current per Contact	10 or 7.5 Amps
Maximum Wire Size (solid)	13 or 14 AWG
Cap. Between Contacts	3.0 or 2.5 mm <sup>2</sup>
Rated Voltage	≤ 7 or ≤ 7 pf
Test Voltage	250 Volts a.c.
Contact Resistance	1500 Volts a.c.
Insulation Resistance	≤ 3 milli-ohms
	≥ 1 giga-ohms



# PROFESSIONAL QUALITY MULTIPOLE CONNECTOR (8000 SERIES) - CABLE PLUG

Sheet No. **PS 0858**

Date : 16.09.96

Issue No. 1

## PRODUCT SPECIFICATION

Sheet 1 of 1

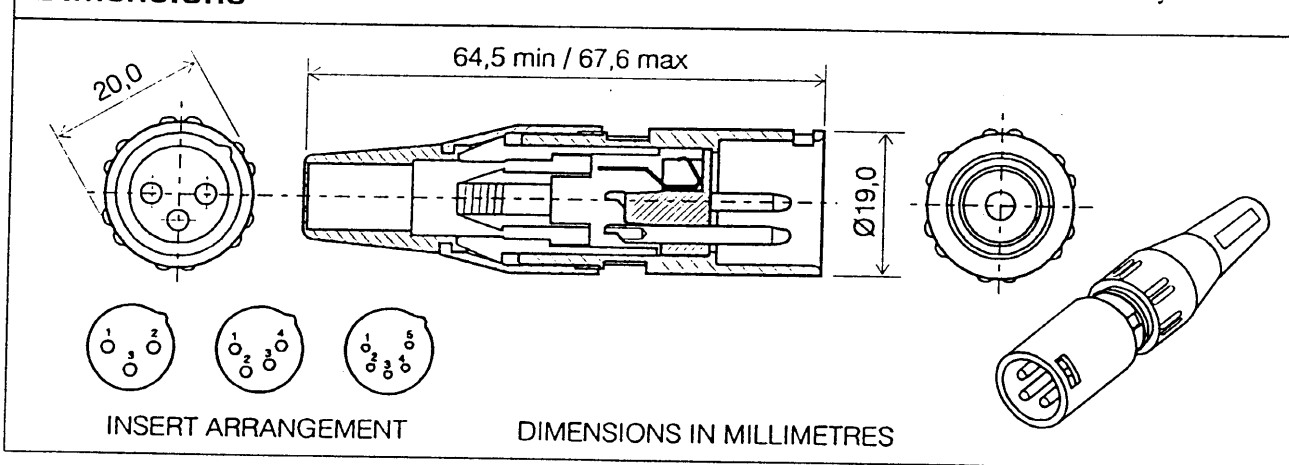
Signature

Deltron Part No.

3 Way  
4 Way  
5 Way

Silver Contacts		Gold Contacts	
Nickel	Black	Nickel	Black
<b>801-0300</b>	<b>805-0300</b>	<b>803-0300</b>	<b>807-0300</b>
<b>801-0400</b>	<b>805-0400</b>	<b>803-0400</b>	<b>807-0400</b>
<b>801-0500</b>	<b>805-0500</b>	<b>803-0500</b>	<b>807-0500</b>

## Dimensions



## Description

A range of audio and video connectors incorporating many innovative features. Assembly and disassembly is screwless and is achieved by a few quick turns of the back shell.

- available in satin nickel or matt black finish, with silver or gold plated contacts.
- the strain relief collet ensures a positive cable grip.
- generous solder buckets enable easier cable assembly as well as catering for larger conductor sizes.
- a range of coloured plastic coding rings is also available, each with a single number moulded in, offering a quick and easy system of channel identification.

(Note : these connectors are not to be used for mains applications.)

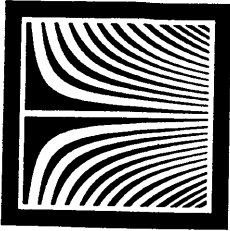
## Features

### Mechanical Properties

Cable Retention	Chuck and Screw Collar
Cable Range	Ø 2,8mm to Ø 8,0mm
Housing	Zinc high pressure diecasting satin nickel or black chrome
Contact Base	Valox DR48
Contacts	Brass, 3 µ silver anti-tarnish finish, or 0,5 µ gold
Strain Relief	P.V.C. (black)
Sealing Ring	Santoprene (UL 94 HB)
Chuck	Acetal (UL 94 HB)
Screw Collar	Polycarbonate, 10% glass-filled Lexan, black
Screen	Spring Steel, 3 µ silver anti-tarnish
Interchangeable Connector Ident	Spring-on coloured rings
Ident Options	Acetal (UL94 HB) Black, Brown, Red, Orange, Yellow, Green, Blue, Violet, Grey, White
Operating Temp	-30°C to +80°C
Insertion Force	≤ 20N
Withdrawal Force	≤ 10N
Min No. Insertions	5000

### Electrical Properties

Number of Contacts	3, 4 or 5
Rated Current per Contact	16, 10 or 7.5 Amps
Maximum Wire Size (solid)	14, 14 or 14 AWG
Cap. Between Contacts	2,5, 2,5 or 2,5 mm <sup>2</sup>
Rated Voltage	≤ 4, ≤ 7 or ≤ 7 pf
Test Voltage	250 Volts a.c.
Contact Resistance	1500 Volts a.c.
Insulation Resistance	≤ 3 milli-ohms
	≥ 1 giga-ohms



## 19" PATCH LEAD RACK

### PRODUCT SPECIFICATION

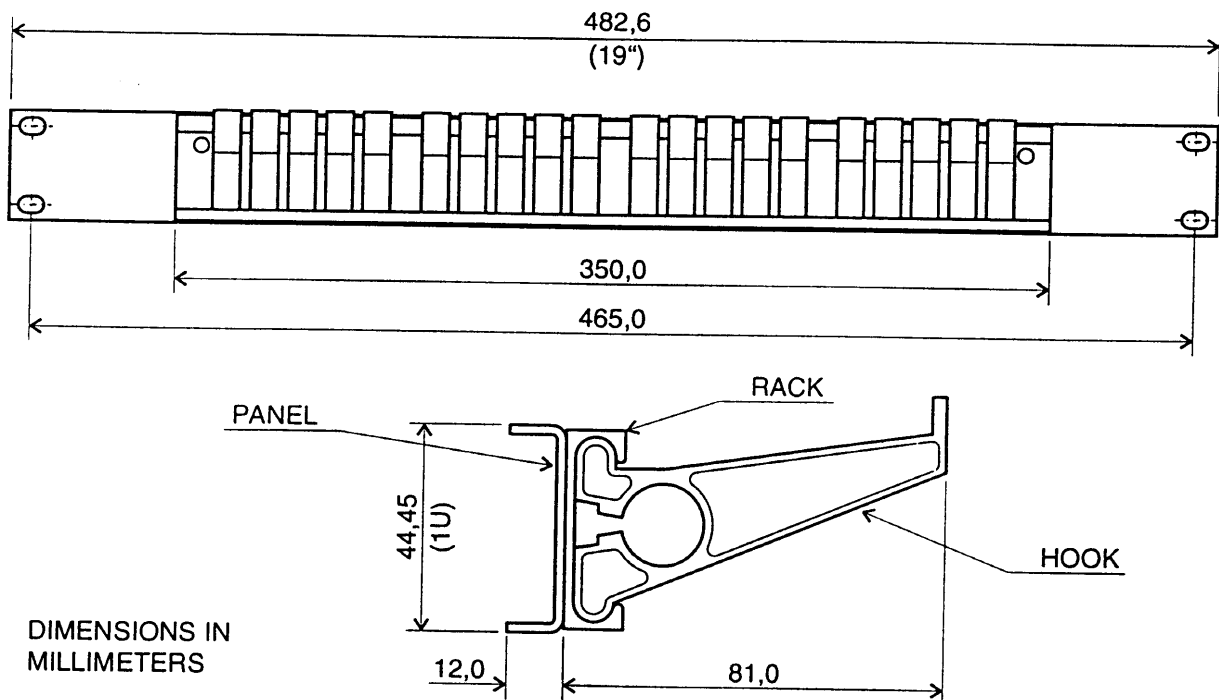
Sheet No. **PS 0868**

Date : 03.03.97 Issue No. 1

Sheet 1 of 1 Signature

Deltron Part No. **291-0000**

### Dimensions



### Description

A patch lead rack attached to a 19" panel, 1U in height, for mounting onto standard 19" cabinets, sub-racks and cases.

The rack is populated with twenty clip-in hooks, which can be moved along to any position to suit 1/4" jacks, bantam jacks, XLR patch leads, or anything that needs hanging up in a tidy fashion.

The panel is matt black finish, and the hooks black acetal.

### Features

#### MATERIALS

PANEL : Aluminium, 2mm thick  
matt black

RACK : Aluminium Alloy extrusion  
matt black

HOOKS : Acetal, black