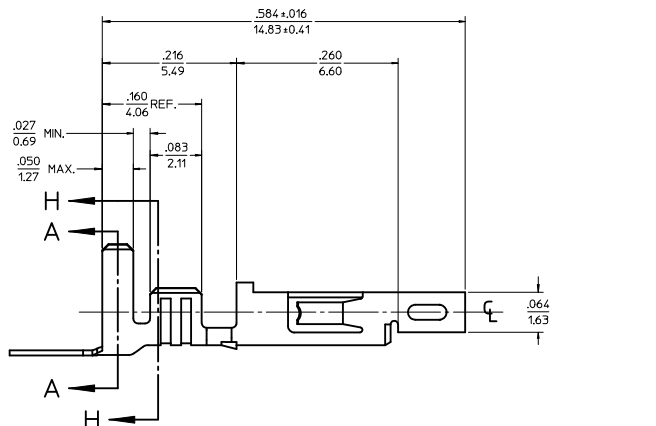
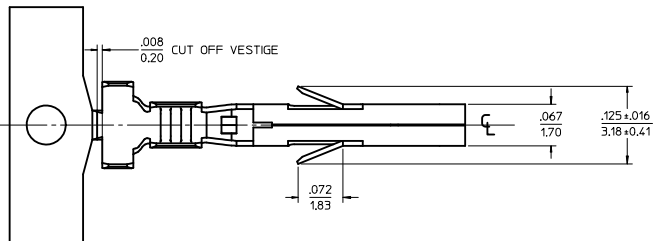
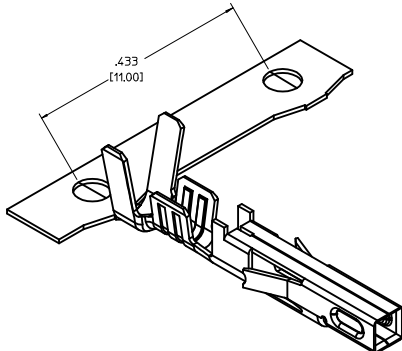


ITEM NO.	FORM	WIRE GAGE	DIM 'B'	DIM 'C'	DIM 'D'	DIM 'E'	DIM 'F'	DIM 'G'	PLATING: SEE NOTE 2
45750111	CHAIN	18-20	.142±.012 (3.60±0.30)	.177±.016 (4.50±0.40)	.035 (0.90)	.075±.012 (1.90±0.30)	.091±.016 (2.30±0.40)	.020 (0.50)	1 TIN OVER NICKEL
45750112	LOOSE								
45750311	CHAIN	16	.142±.012 (3.60±0.30)	.177±.016 (4.50±0.40)	.035 (0.90)	.091±.012 (2.30±0.30)	.106±.016 (2.70±0.40)	.024 (0.60)	2 SELECT GOLD OVER NICKEL
45750312	LOOSE								
45750121	CHAIN	18-20	.142±.012 (3.60±0.30)	.177±.016 (4.50±0.40)	.035 (0.90)	.075±.012 (1.90±0.30)	.091±.016 (2.30±0.40)	.020 (0.50)	2 SELECT GOLD OVER NICKEL
45750122	LOOSE								
45750321	CHAIN	16	.142±.012 (3.60±0.30)	.177±.016 (4.50±0.40)	.035 (0.90)	.091±.012 (2.30±0.30)	.106±.016 (2.70±0.40)	.024 (0.60)	2 SELECT GOLD OVER NICKEL
45750322	LOOSE								

NOTES:

- MATERIAL: COPPER ALLOY .0080/(0.203) THICK
- FINISH:
 - .000100/(0.00254) MIN. BRIGHT TIN OVER .000050/(0.00127) MIN NICKEL OVERALL.
 - .000030/(0.00076) MIN. SELECT GOLD IN CONTACT AREA AND .000100/(0.00254) MIN. SELECT MATTE TIN IN CRIMP AREA OVER .000050/(0.00127) MIN. NICKEL OVERALL.
 GOLD PLATING RECOMMENDED FOR APPLICATIONS WHERE FRETTING CORROSION IS A CONCERN.
- PRODUCT SPECIFICATION: PS-45750-001 (JR)
PS-45750-002 (BM)
PS-45750-003 (TPA)
- PACKAGING SPECIFICATION : PK-45750-001 FOR CHAIN TERMINALS
PK-5556-003 FOR LOOSE TERMINALS
- TERMINAL FOR USE WITH 5557, 42474, 44516, 43760, AND 30067 SERIES HOUSINGS.
- WHEN TERMINALS ARE INSTALLED IN THE HOUSING, THE WIRES ARE TO BE DRESSED IN SUCH A MANNER TO ALLOW THE TERMINALS TO FLOAT FREELY IN THE POCKET.
- THIS TERMINAL IS DESIGNED FOR SINGLE WIRE CRIMPING.



LEGEND

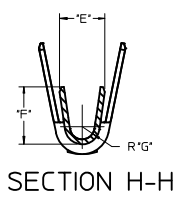
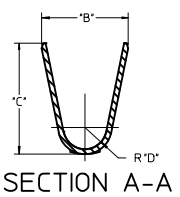
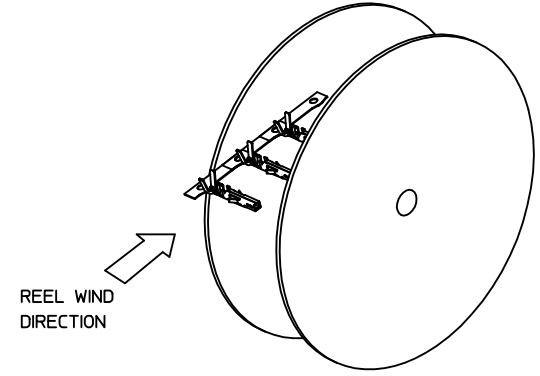
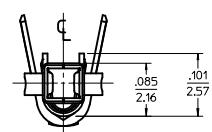
45750 * * 1 *

BASE NUMBER: 45750

WIRE GAGE: 1 = 18-20, 3 = 16

FORM: 1 = CHAIN, 2 = LOOSE

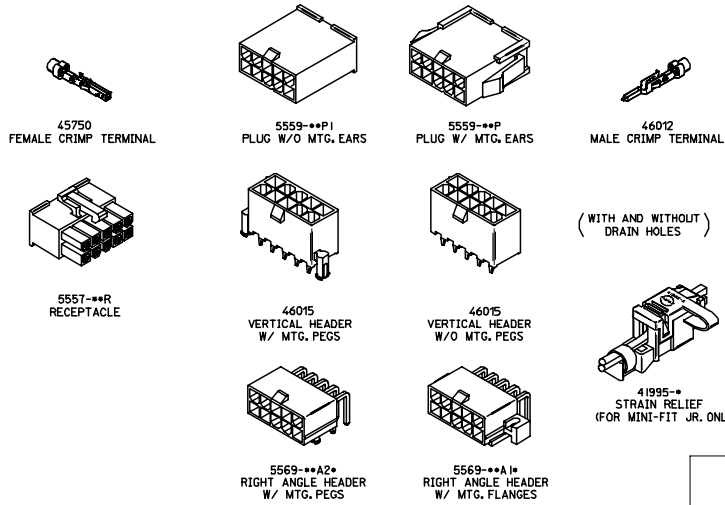
PLATING (SEE NOTE 2): 1 = TIN OVER NICKEL, 2 = SELECT GOLD



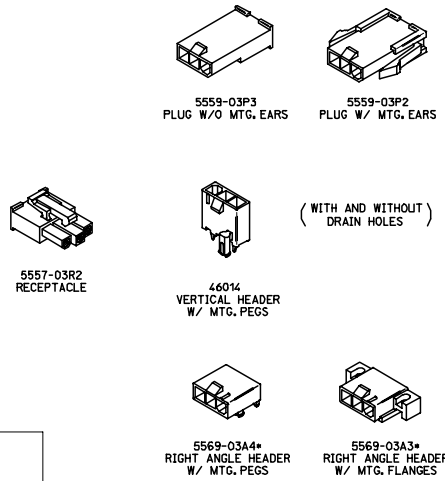
RoHS COMPLIANT

ADDED PACKAGING NOTES IEC NO: UICP2010-0471 DRAWN: J JAGUILAR 2009/10/23 CHKD: J BELL 2009/10/23 APPROVED: SMITH 2009/10/28	QUALITY SYMBOLS ▽=0 ▽=0	GENERAL TOLERANCES (UNLESS SPECIFIED):		DIMENSION STYLE IN/MM	SCALE 10:1	DESIGN UNITS INCH	THIRD ANGLE PROJECTION	
		4 PLACES ±.--- ±.--- 3 PLACES ±.--- ±.010 2 PLACES ±0.25 ±.014 1 PLACE ±0.36 ±.--- ANGULAR ±1/2°	mm INCH --- --- --- --- --- --- --- ---	DRAWN BY: SML CHECKED BY: MMD APPROVED BY: AP DATE: 2004/01/30 DATE: 2004/01/30 DATE: 2004/02/05	DATE: 2004/01/30 DATE: 2004/01/30 DATE: 2004/02/05	TITLE FEMALE CRIMP TERMINAL, H.C.S.PLUS, MINI-FIT JR. SERIES	MOLEX INCORPORATED	SHEET NO. 1 OF 1
		DRAFT WHERE APPLICABLE MUST REMAIN WITHIN DIMENSIONS	MATERIAL NO. SEE CHART	DOCUMENT NO. SD-45750-001	SIZE D	THIS DRAWING CONTAINS INFORMATION THAT IS PROPRIETARY TO MOLEX INCORPORATED AND SHOULD NOT BE USED WITHOUT WRITTEN PERMISSION		

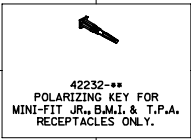
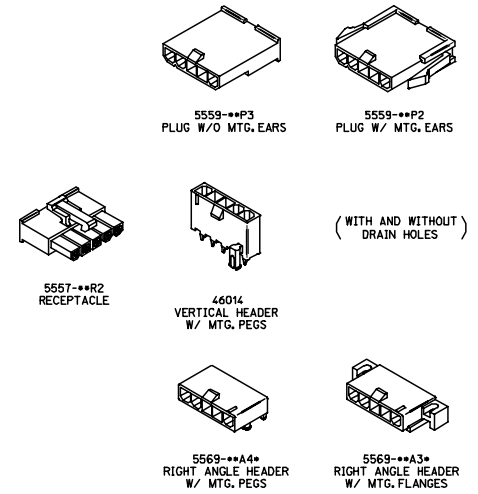
**MINI-FIT JR. PLUS HCS SERIES
DUAL ROW**



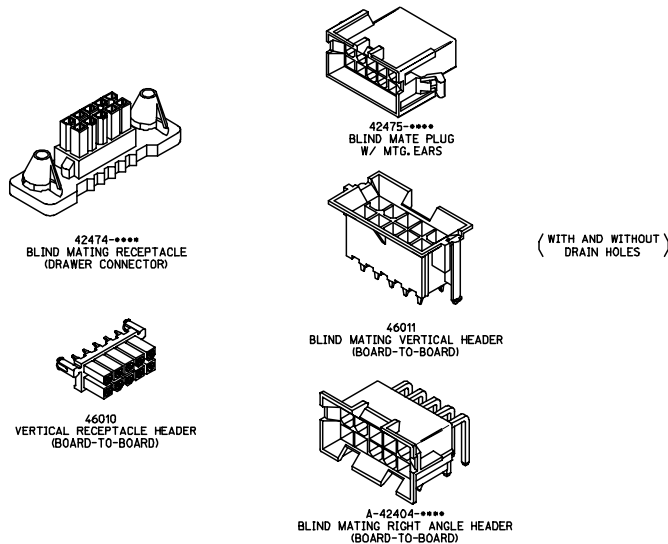
**MINI-FIT JR. PLUS HCS SERIES
(MAKE-FIRST/BREAK-LAST)**



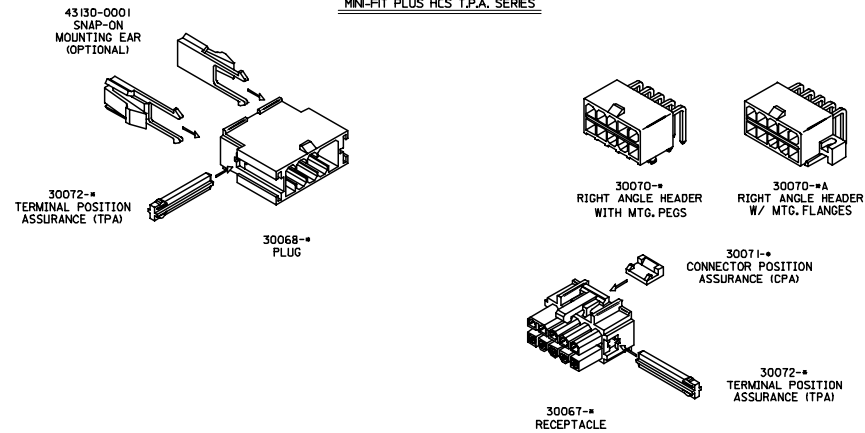
**MINI-FIT JR. PLUS HCS SERIES
SINGLE ROW**



MINI-FIT PLUS HCS B.M.I. SERIES



MINI-FIT PLUS HCS T.P.A. SERIES



INITIAL RELEASE EC NO: UCP2006-2550 DRAWN: JGREGORI 2006/05/12 CHECKED: JCOMERC 2006/05/13 APPR: JCOMERC 2006/05/15	QUALITY SYMBOLS	GENERAL TOLERANCES (UNLESS SPECIFIED)	DIMENSION STYLE	SCALE	DESIGN UNITS	THIRD ANGLE PROJECTION	
	$\nabla=0$ $\nabla=0$	mm INCH 4 PLACES ± --- ± --- 3 PLACES ± --- ± --- 2 PLACES ± --- ± --- 1 PLACE ± --- ± --- ANGULAR ± --- °	IN/MM	METRIC	DRAWN BY: JGREGORI DATE: 2006/04/27 CHECKED BY: JCOMERC APPROVED BY: JCOMERC DATE:	MINI-FIT PLUS HCS CONNECTOR FAMILY (INDEX DRAWING)	
	DESCRIPTION	DRAFT WHERE APPLICABLE MUST REMAIN WITHIN DIMENSIONS	SEE ABOVE	MATERIAL NO. SDIN-45750-001 DOCUMENT NO.		MOLEX INCORPORATED SHEET NO. 1 OF 1	
	REV	THIS DRAWING CONTAINS INFORMATION THAT IS PROPRIETARY TO MOLEX INCORPORATED AND SHOULD NOT BE USED WITHOUT WRITTEN PERMISSION					