

INT1 SERIES CHART 1

CATALOG LISTING

ISSUE 8

REVISIONS
A 207607 TSM 7MAR03
B 207782 C S L 27 MAR 03
C 0009175 AS 08NOV04

CHECK 08NOV04

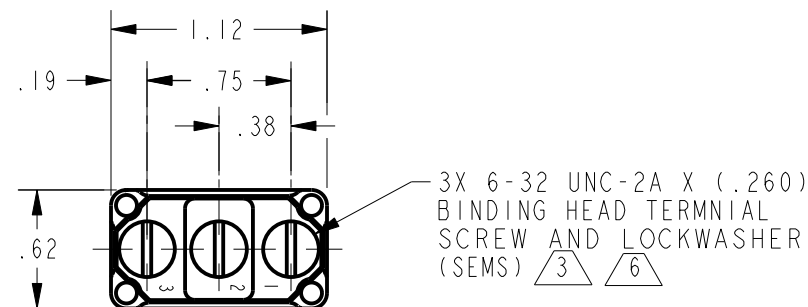
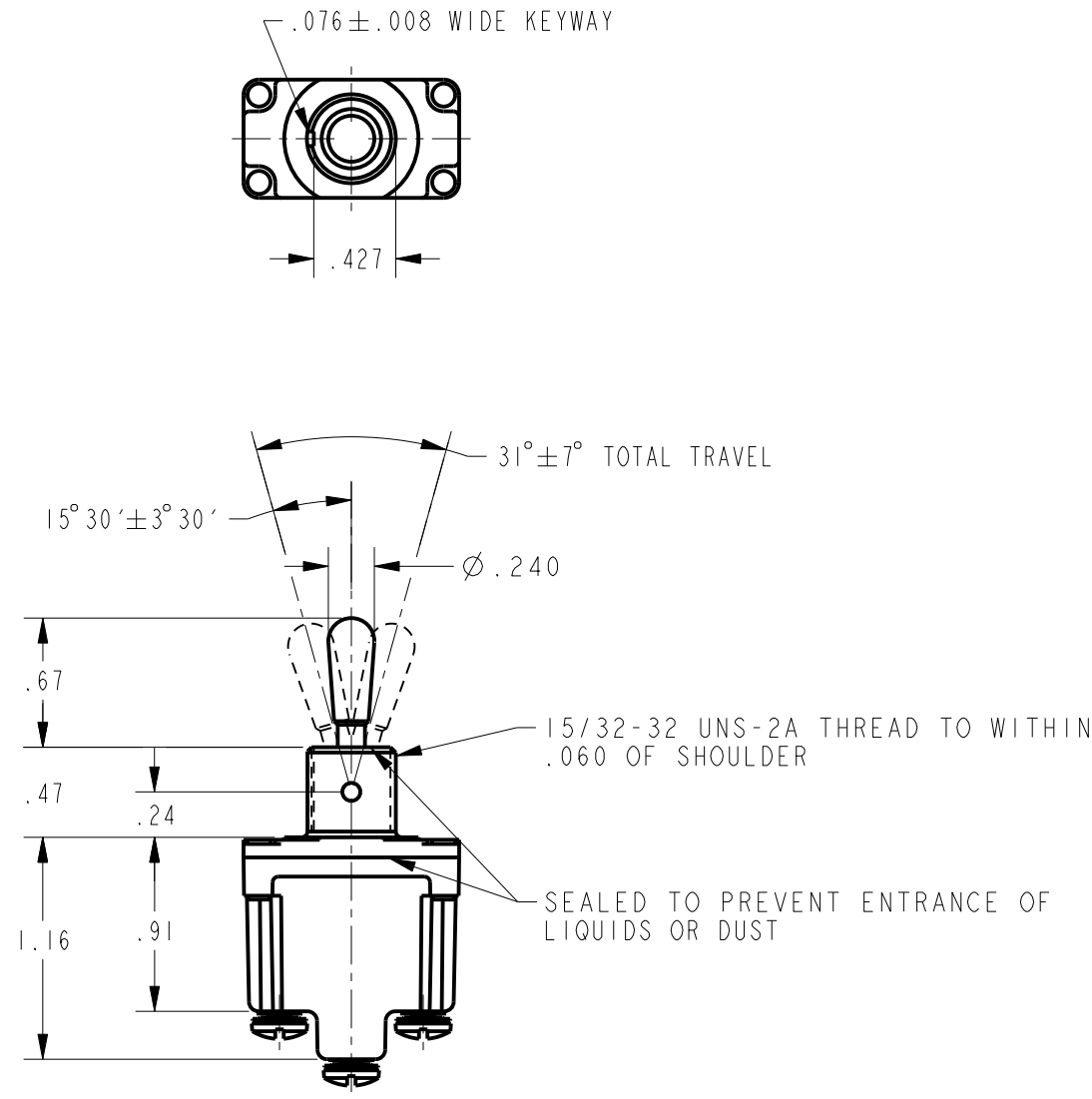
CHECK 7MAR03

CHECK SAV 7MAR03
DRAWN TSM 7MAR03

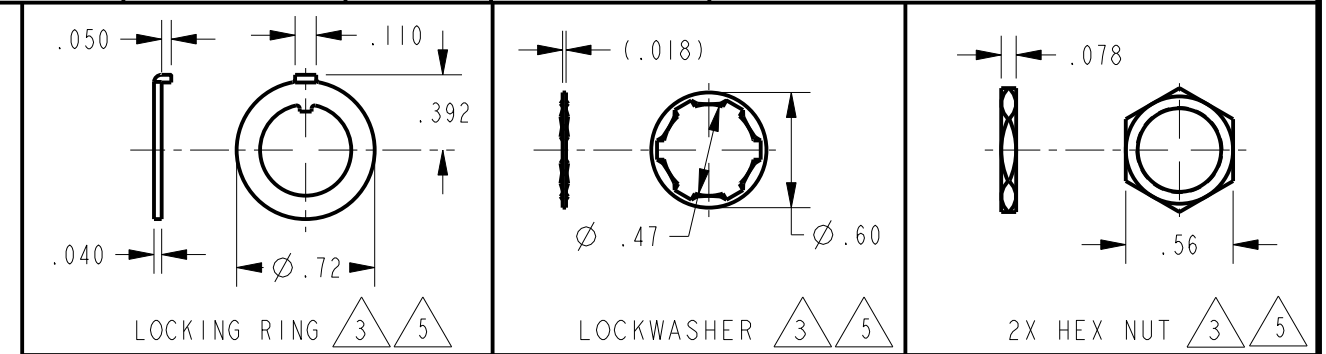
REPLACES -

RELEASE NO. PR-19402

PAGE 1 OF 1



CATALOG LISTING	CIRCUIT MADE WITH TOGGLE LEVER IN			ELECTRICAL DATA
	KEYWAY SIDE (1-2)	CENTER (1-2)	OPPOSITE KEYWAY (2-3)	
INT1-1	ON	OFF	ON	L191 15A 125, 250, 277 VAC 1/2HP 125 VAC 1HP 250, 277 VAC 5A 125 VAC "L" CE RMC
INT1-2	OFF	NONE	ON	
INT1-3	ON	NONE	ON	
INT1-21	NONE	OFF	ON	
INT1-31	NONE	ON	ON	
INT1-4	MOM OFF	NONE	ON	L192 10A 125, 250, 277 VAC 1/4HP 125 VAC 1/2HP 250, 277 VAC 3A 125 VAC "L" CE RMC
INT1-5	MOM ON	OFF	ON	
INT1-6	MOM ON	NONE	OFF	
INT1-7	MOM ON	OFF	MOM ON	
INT1-8	MOM ON	NONE	ON	
INT1-51	NONE	ON	MOM ON	
INT1-61	MOM ON	OFF	NONE	



NOTES

- 1 - SWITCH WILL WITHSTAND TEMPERATURE OF 160°F CONTINUOUSLY AT FULL RATED LOAD
- 2 - MICRO SWITCH CAT. LIST. MARKED ON SIDE OF SWITCH
- 3 FURNISHED UNASSEMBLED
- 4 APPLIES ONLY TO "ON" AND "MOMENTARY ON" POSITIONS
- 5 "NH" SUFFIX MUST BE ADDED TO SPECIFY NO HARDWARE (EX INT1-1-NH)
- 6 "COMB" SUFFIX MUST BE ADDED TO SPECIFY 6-32 UNC-2A X (.260) COMBINATION DRIVE STYLE BINDING HEAD TERMINAL SCREW AND LOCKWASHER (SEMS) (EX INT1-7-COMB)

THIRD ANGLE PROJECTION	
SCALE	FULL
DO NOT SCALE PRINT	
UNLESS OTHERWISE SPECIFIED TOLERANCES ARE	
ONE PLACE	(.0) ±.030
TWO PLACE	(.00) ±.015
THREE PLACE	(.000) ±.005
ANGLES	±
WEIGHT	.07 LB APPROX