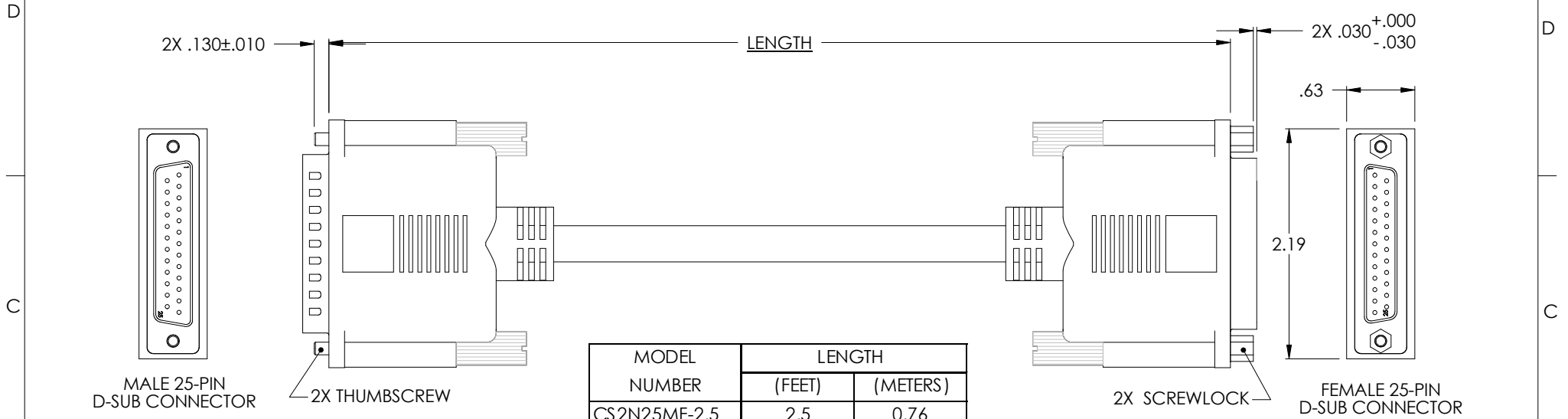


THE INFORMATION CONTAINED IN THIS DRAWING IS THE SOLE PROPERTY OF L-COM, INC. ANY REPRODUCTION IN PART OR WHOLE WITHOUT THE WRITTEN PERMISSION OF L-COM, INC. IS PROHIBITED.

REVISIONS			
REV	DESCRIPTION	DATE	APPROVED
C	CHANGED COLOR OF CONNECTOR INSULATORS TO BLACK (ECN# 1334)	3/21/03	T CLARK
D	ECN1966: 500 VAC WAS 1500VAC	2/3/05	DFF
E	ECN 2116: ADDED (2) ADDITIONAL THUMBSCREWS	6/30/05	J. KIEZULAS
F	ECN# 2194: CHANGED INSTRUCTION SHEET AND CABLE SPECIFICATION	7/9/05	J. KIEZULAS



MODEL NUMBER	LENGTH	
	(FEET)	(METERS)
CS2N25MF-2.5	2.5	0.76
CS2N25MF-5	5.0	1.52
CS2N25MF-6	6.0	1.83
CS2N25MF-10	10.0	3.05
CS2N25MF-12	12.0	3.66
CS2N25MF-15	15.0	4.57
CS2N25MF-25	25.0	7.62
CS2N25MF-50	50.0	15.24

SPECIFICATIONS:

WIRING: STRAIGHT THROUGH, PIN TO PIN, ALL PINS.

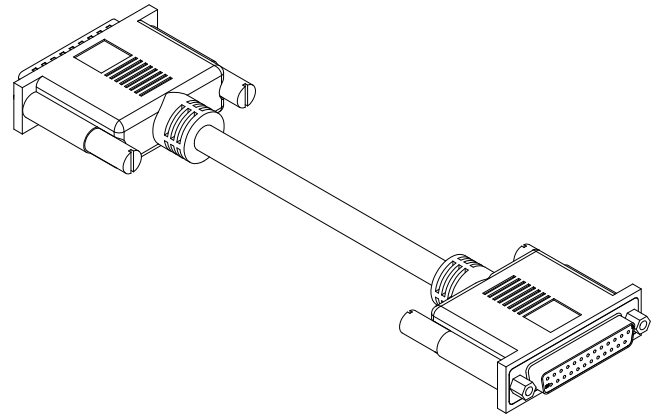
SHIELD: DRAIN WIRE TIED TO CONNECTOR SHELLS

ELECTRICAL:
 VOLTAGE RATING: 30V
 DIELECTRIC STRENGTH: 500VAC

MATERIALS:
 CONNECTORS:
 INSULATORS: THERMOPLASTIC, UL 94V-0, BLACK
 CONTACTS: COPPER ALLOY, GOLD OVER NICKEL
 SHELLS: STEEL, TIN PLATED
 HOOD MOLDINGS: PVC, LIGHT GRAY
 INTERNAL SHIELD: (360°) STEEL BOX SHIELD OVER PRE-MOLD SOLDERED TO D-SUB SHELL
 CABLE: U.L. STYLE 2919 25 CONDUCTORS 26 AWG STRANDED TINNED COPPER
 OVERALL SHIELD: ALUMINIZED POLYESTER WITH DRAIN WIRE (100%) PLUS TINNED COPPER BRAID SHIELD
 JACKET: PVC, LIGHT GRAY
 HARDWARE: 4-40 THREAD, STEEL OR BRASS, NICKEL PLATED

CABLE CONTAINS TWO ADDITIONAL MALE THUMBSCREWS PACKAGED IN A SEPARATE BAG AND INSTRUCTION SHEET CS2N-INS

[\(REFERENCE L-COM CABLE SPECIFICATION CS2N-LCS\)](#)



UNLESS OTHERWISE SPECIFIED, DIMENSIONS ARE IN INCHES. TOLERANCES ARE:
 X ±.1
 XX ±.05
 XXX ±.005
 CABLE LENGTH TOLERANCE
 ≤300" ±5% >300" ±2%

APPROVALS	DATE
DRAWN BY TJC	9/27/01
CHECKED BY DFF	9/28/01
APPROVED BY RC	10/4/01

CONFIGURATION DETAILS OF UNDIMENSIONED FEATURES MAY VARY

L-com
 CONNECTIVITY PRODUCTS

45 BEECHWOOD DRIVE
 NORTH ANDOVER, MA
 01845

PRODUCT DESCRIPTION
PREMIUM DATA CABLE ASSEMBLY

DRAWING TITLE
OUTLINE DRAWING

SIZE A	FSCM NO. 43321	DWG. NO. CS2N25MF-2.5-OD1	REV. F
------------------	--------------------------	-------------------------------------	------------------

SCALE: NONE | CAD FILE: CS2N25MF-2.5-OD1.SLDDRW | SHEET 1 OF 1