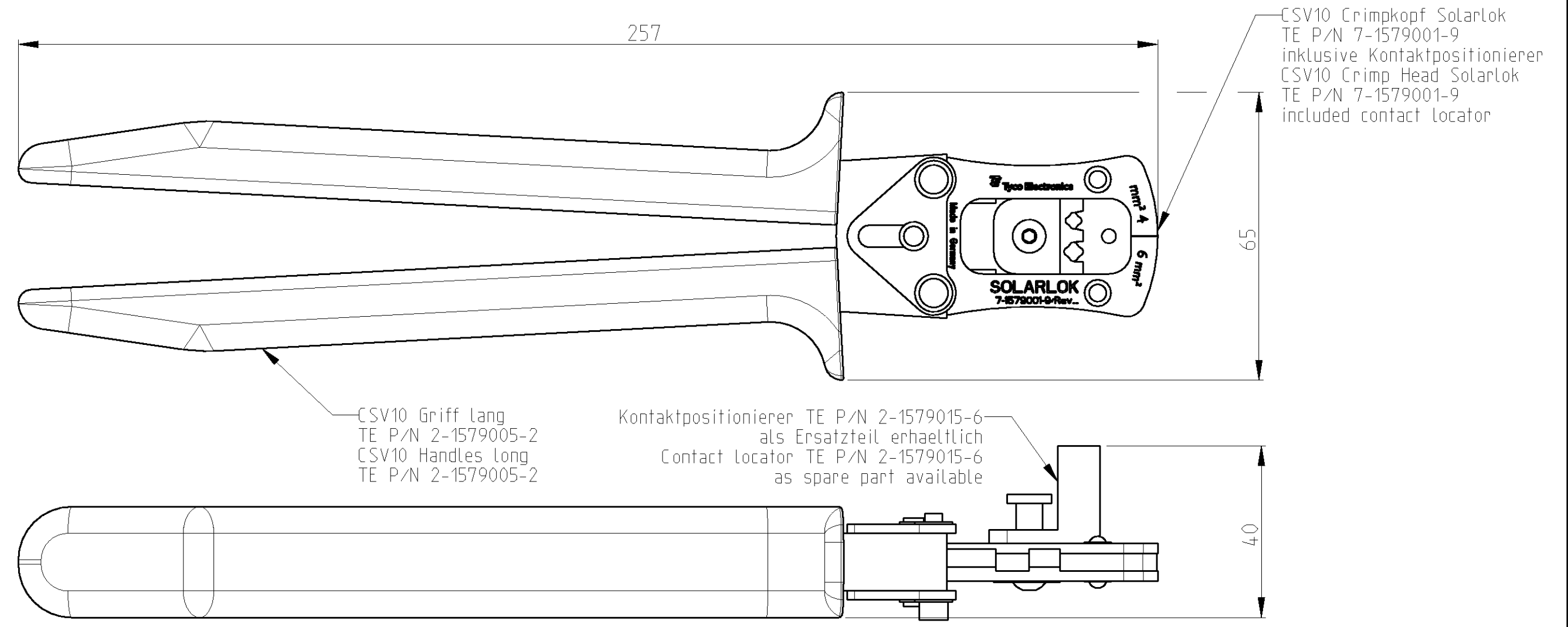


THIS DRAWING IS UNPUBLISHED. RELEASED FOR PUBLICATION 2009  
 © COPYRIGHT 2009 BY TYCO ELECTRONICS CORPORATION. ALL RIGHTS RESERVED.

LOC	DIST	REVISIONS			
P	LTR	DESCRIPTION	DATE	DWN	APVD
A	-	EGC0-0065-04	06JUL2004	RK	UM
B	-	ECR-09-019497	01SEP2009	wi	wi

CSV10 HAND TOOL FOR SOLARLOK CONTACTS 4 AND 6 mm<sup>2</sup>  
 CSV10 HANDZANGE FUER SOLARLOK-KONTAKTE 4 UND 6 mm<sup>2</sup>



Griff CSV10 Handles CSV10	Crimpkopf CSV10 Crimping Head CSV10	Kontakt P/N Contact P/N	Drahtgroesse Wire Range mm <sup>2</sup>	Crimphoehe Crimp height	Crimpbreite Crimp width
2-1579005-2	7-1579001-9	5-1105300-1 / 5-1105301-1	4.0	*	*
		7-1105300-2 / 7-1105301-2	6.0	*	*

\* Crimpdaten nach Verarbeitungsspezifikation 114-74013 (Aenderungen vorbehalten)  
 Crimpdata according to application specification 114-74013 (subject to technical modifications)

Bedienungsanleitung 411-18315  
 Instruction sheet 411-18315

<small>THIS DRAWING IS A CONTROLLED DOCUMENT FOR TYCO ELECTRONICS CORPORATION          IT IS SUBJECT TO CHANGE AND THE CONTROLLING ENGINEERING ORGANIZATION          SHOULD BE CONTACTED FOR THE LATEST REVISION.</small>		DWN 06JUL2004 Klawonn CHK - APVD - PRODUCT SPEC - APPLICATION SPEC - WEIGHT 425 g	<b>Tyco Electronics</b> tyco Electronics AMP GmbH D - 64625 Bensheim
DIMENSIONS: mm 	TOLERANCES UNLESS OTHERWISE SPECIFIED: 0 PLC ± 1 PLC ± 2 PLC ± 3 PLC ± 4 PLC ± ANGLES ±1° MATERIAL - FINISH -	NAME CSV10 HANDTOOL SOLARLOK 4 AND 6 SQMM CSV10 Handzange Solarlok 4 und 6 sqmm	SIZE A3 CAGE CODE 00779 DRAWING NO C=1-1579004-2 RESTRICTED TO -
CUSTOMER DRAWING		SCALE 1:1	SHEET 1 OF 1 REV B