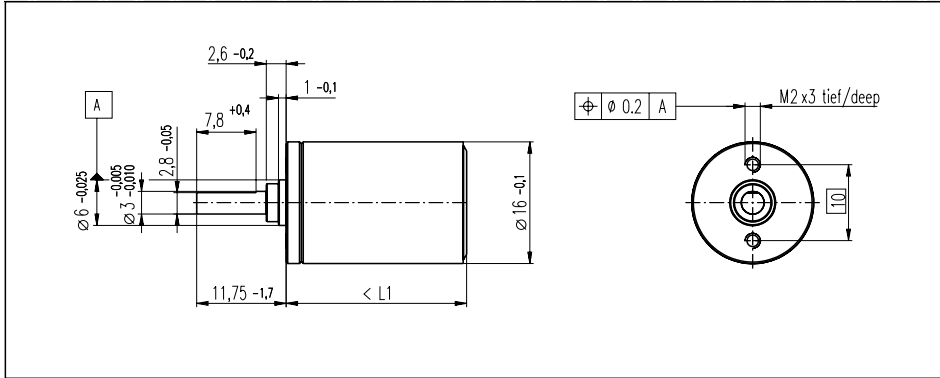


Planetary Gearhead GP 16

Ø16 mm, 0.1-0.3 Nm

METALVERSION

Plastic version see page 151



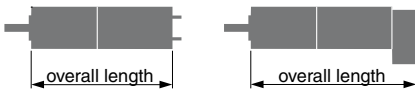
Technical Data

Planetary Gearhead	straight teeth
Output shaft	stainless steel, hardened
Bearing at output	sleeve bearing*
Radial play, 6 mm from flange	max. 0.06 mm
Axial play	0.02 - 0.10 mm
Max. permissible axial load	8 N
Max. permissible force for press fits	100 N
Recommended input speed	< 6000 rpm
Recommended temperature range	-15/+65°C
Number of stages	1 2 3 4 5
Max. perm. radial load, 6 mm from flange	8N 12N 16N 20N 20N

*Option ball bearings

Gearhead Data:

Order number	110321	110322	110323	118186	110324	134782	110325	134785
1 Reduction	4.4 : 1	19 : 1	84 : 1	157 : 1	370 : 1	690 : 1	1621 : 1	3027 : 1
2 Reduction absolute	57/13	3249/169	185193/2197	19683/125	10556001/28561	1121931/1625	601692057/371293	63950067/21125
Order number	118184	134777	134778		134780	118187	134783	134786
1 Reduction	5.4 : 1	24 : 1	104 : 1		455 : 1	850 : 1	1996 : 1	3728 : 1
2 Reduction absolute	27/5	1539/65	87723/845		5000211/10985	531441/625	285012027/142805	30292137/8125
Order number	118185	134779			134781		134784	118188
1 Reduction	29 : 1	128 : 1			561 : 1		2458 : 1	4592 : 1
2 Reduction absolute	729/25	41553/325			2368521/4225		135005697/54925	14348907/3125
3 Number of stages	1	2	3	3	4	4	5	5
4 Max. continuous torque at gear output Nm	0.10	0.15	0.20	0.20	0.25	0.25	0.30	0.30
5 Intermittently permissible torque at gear output Nm	0.150	0.225	0.300	0.300	0.375	0.375	0.450	0.450
6 Sense of rotation, drive to output	=	=	=	=	=	=	=	=
7 Max. efficiency %	90	81	73	73	65	65	59	59
8 Weight g	20	23	27	27	31	31	35	35
9 Gearhead length L1 mm	15.6	19.2	22.8	22.8	26.4	26.4	30.0	30.0



Stock program
 Standard program
 Special program (on request!)

Combination:

+ Motor	Page	+ Tacho	Page	Overall length [mm]							
RE 15, 1.6 W	55			37.9	41.5	45.1	45.1	48.7	48.7	52.3	52.3
RE 16, 3.2 W	56/57			56.1	59.7	63.3	63.3	66.9	66.9	70.5	70.5
RE 16, 3.2 W	57	Digital Magnetic Encoder 13	184	62.1	65.7	69.3	69.3	72.9	72.9	76.5	76.5
RE 16, 4.5 W	58/59			59.1	62.7	66.3	66.3	69.9	69.9	73.5	73.5
RE 16, 4.5 W	59	Digital Magnetic Encoder 13	184	65.3	68.9	72.5	72.5	76.1	76.1	79.7	79.7
A 2515, 2 W	77			53.7	57.3	60.9	60.9	64.5	64.5	68.1	68.1
A-max 16	97-100			41.0	44.6	48.2	48.2	51.8	51.8	55.4	55.4
A-max 16	97/100	Digital Magnetic Encoder 13	184	49.1	52.7	56.3	56.3	59.9	59.9	63.5	63.5