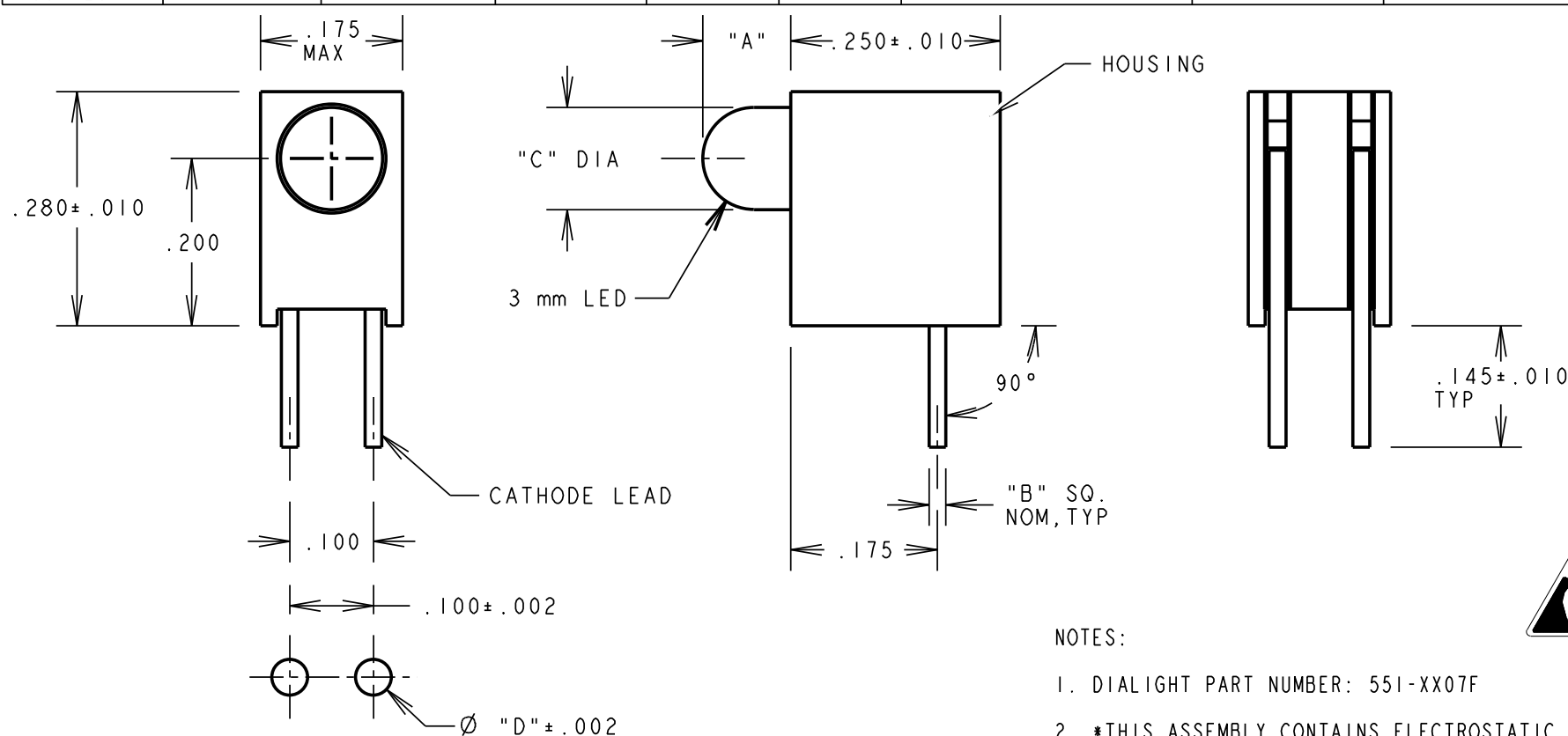


REV	ECN NO	REVISIONS	DRN	CKD	APP	DATE
A	—	NEW RELEASE	TWC	TC	N.O.	9-22-05
B	—	ADDED P/N 551-2507F	TWC			

PART NUMBER	OPERATING CHARACTERISTICS AT T _A = 25 °C									TEST CONDITIONS	
	FORWARD VOLTAGE/CURRENT			REVERSE VOLTAGE (V)	PEAK WAVELENGTH (nm)			LUMINOUS INTENSITY (mcd)			
	MIN	TYP	MAX		MIN	TYP	MAX	MIN	TYP		MAX
551-0207F	2.1 V	3.0 V		V _R = 3 V MIN @ 10 μA		563		5.6	16.0		I _F = 10 mA
551-0307F	2.1 V	3.0 V		V _R = 3 V MIN @ 10 μA		585		2.2	6.3		I _F = 10 mA
551-0407F	2.0 V	3.0 V		V _R = 3 V MIN @ 10 μA		650		3.6	10		I _F = 10 mA
551-0507F	10 mA	20 mA		V _R = 5 V MIN @ 100 μA		635		8.7	29		V _F = 5 V
551-0607F	10 mA	20 mA		V _R = 5 V MIN @ 100 μA		565		5.6	19		V _F = 5 V
551-0707F	10 mA	20 mA		V _R = 5 V MIN @ 100 μA		585		3.7	12.6		V _F = 5 V
* 551-0807F	3.5 V	4.2 V		V = 5 V MIN @ 10 mA		428		6.3		20	I _F = 10 mA
551-1107F	1.7 V	2.2 V		V _R = 5 V MIN @ 50 μA		635		1.0	1.6		I _F = 2 mA
551-1207F	1.8 V	2.7 V		V _R = 5 V MIN @ 50 μA		585		1.0	1.6		I _F = 2 mA
551-1307F	1.9 V	2.2 V		V _R = 5 V MIN @ 50 μA		565		1.0	1.6		I _F = 2 mA
551-1407F	1.6 V	1.8 V		V _R = 5 V MIN @ 100 μA		645		2	3		I _F = 1 mA
551-1507F	2.1 V	2.8 V		V = 5 V MIN @ 100 μA		565		32	50		I _F = 10 mA
551-1607F	2.1 V	2.8 V		V = 5 V MIN @ 100 μA		585		10		50	I _F = 10 mA
551-1707F	2.0 V	2.8 V		V = 5 V MIN @ 100 μA		635		8.7	29		I _F = 10 mA
551-2507F	1.9 V	2.4 V		V = 5 V MIN @ 100 μA		600		3.4	7.0	10.8	I _F = 10 mA

PART NUMBER	ABSOLUTE MAXIMUM RATINGS AT 25 °C AMBIENT							
	POWER DISSIPATION	DC FORWARD VOLTAGE	CONT. FWD CURRENT	PEAK FWD CURRENT	REVERSE VOLTAGE	SOLDERING TEMP. 5 SEC. 1/16" FROM BODY	OPERATING TEMPERATURE	STORAGE TEMPERATURE
551-0207F	75 mW		25 mA	60 mA	3 V	260 °C	-25 °C / +85 °C	-30 °C / +100 °C
551-0307F	60 mW		20 mA	60 mA	3 V	260 °C	-25 °C / +85 °C	-30 °C / +100 °C
551-0407F	60 mW		20 mA	60 mA	3 V	260 °C	-25 °C / +85 °C	-30 °C / +100 °C
551-0507F		7.5 V			5 V	260 °C	-40 °C / +85 °C	-55 °C / +100 °C
551-0607F		7.5 V			5 V	260 °C	-40 °C / +85 °C	-55 °C / +100 °C
551-0707F		7.5 V			5 V	260 °C	-40 °C / +85 °C	-55 °C / +100 °C
* 551-0807F	100 mW		20 mA		5 V	260 °C	-40 °C / +100 °C	-40 °C / +100 °C
551-1107F	20 mW		7 mA		5 V	260 °C	-55 °C / +100 °C	-55 °C / +100 °C
551-1207F	20 mW		7 mA		5 V	260 °C	-55 °C / +100 °C	-55 °C / +100 °C
551-1307F	20 mW		7 mA		5 V	260 °C	-55 °C / +100 °C	-55 °C / +100 °C
551-1407F	87 mW		30 mA		5 V	260 °C	-20 °C / +100 °C	-55 °C / +100 °C
551-1507F	100 mW		30 mA	120 mA		260 °C	-55 °C / +100 °C	-55 °C / +100 °C
551-1607F	60 mW		20 mA	80 mA		260 °C	-55 °C / +100 °C	-55 °C / +100 °C
551-1707F	100 mW		30 mA	120 mA	5 V	260 °C	-55 °C / +100 °C	-55 °C / +100 °C
551-2507F	135 mW		25 mA	90 mA	5 V	260 °C	-55 °C / +100 °C	-55 °C / +100 °C

PART NUMBER	LED COLOR	"A" DIMENSION	"B" DIMENSION	"C" DIMENSION	"D" DIMENSION
551-0207F	GREEN DIFFUSED	.105	.020	.122 ± .008	.043
551-0307F	YELLOW DIFFUSED	.105	.020	.122 ± .008	.043
551-0407F	RED DIFFUSED	.105	.020	.122 ± .008	.043
551-0507F	RED DIFFUSED	.095	.018	.115 ± .010	.040
551-0607F	GREEN DIFFUSED	.095	.018	.115 ± .010	.040
551-0707F	YELLOW DIFFUSED	.095	.018	.115 ± .010	.040
* 551-0807F	BLUE NON-TINTED DIFFUSED	.101	.020	.110 ± .004	.043
551-1107F	RED DIFFUSED	.095	.018	.115 ± .010	.040
551-1207F	YELLOW DIFFUSED	.095	.018	.115 ± .010	.040
551-1307F	GREEN DIFFUSED	.095	.018	.115 ± .010	.040
551-1407F	AlGaAs RED DIFFUSED	.095	.018	.115 ± .010	.040
551-1507F	GREEN TINTED NON-DIFF.	.095	.018	.115 ± .010	.040
551-1607F	YELLOW TINTED NON-DIFF.	.095	.018	.115 ± .010	.040
551-1707F	RED TINTED NON-DIFF.	.095	.018	.115 ± .010	.040
551-2507F	ORANGE DIFFUSED	.095	.018	.115 ± .010	.040



RoHS Compliant 551-XX07F Thru hole Single Level CBI

Part Numbers with the "F" suffix ending are RoHS Compliant.
 Example: 551-0207F, 551-1707F
 The bag packaging is marked with "RoHS Compliant" label or equivalent markings.
 Parts can be wave soldered, dip soldered or hand soldered using typical lead-free soldering process with max 260°C temp. for 5 sec.



ATTENTION:
 OBSERVE PRECAUTIONS FOR
 HANDLING ELECTROSTATIC
 SENSITIVE DEVICES

NOTES:

- DIALIGHT PART NUMBER: 551-XX07F
- *THIS ASSEMBLY CONTAINS ELECTROSTATIC DISCHARGE SENSITIVE DEVICES (ESDS). MAINTAIN ALL PRECAUTIONARY MEASURES DURING ASSEMBLY, HANDLING AND STORAGE IN ACCORDANCE WITH IPC-A-610.

THIS DRAWING AND THE CONTENTS HEREIN ARE CONFIDENTIAL AND THE SOLE PROPERTY OF DIALIGHT. REPRODUCTION OF THIS DRAWING OR CONSTRUCTION OF ANY PARTS WITHIN THIS DRAWING ARE FORBIDDEN WITHOUT THE WRITTEN CONSENT OF DIALIGHT.		
SCALE: DRAWING SCALE ALL DIM'S IN: INCHES (MM)	DRAWING NUMBER C-17306	REV B
TOLERANCES: UNLESS OTHERWISE SPECIFIED FRACTIONS: ±1/64 DECIMALS (.XX): ±.01 DECIMALS (.XXX): ±.005 DECIMALS (.XXXX): ±.0005 ANGLES: ±1°	TITLE 3mm CBI, .200 LED CENTERLINE RoHS COMPLIANT	
FINISH:	MATERIAL	
FSCM 83330	Dialight 1501 ROUTE 34 SOUTH FARMINGDALE, NJ 07727	
SHEET 1 OF 1 FAMILY TABLE:		

RECOMMENDED PC BOARD HOLE PATTERN