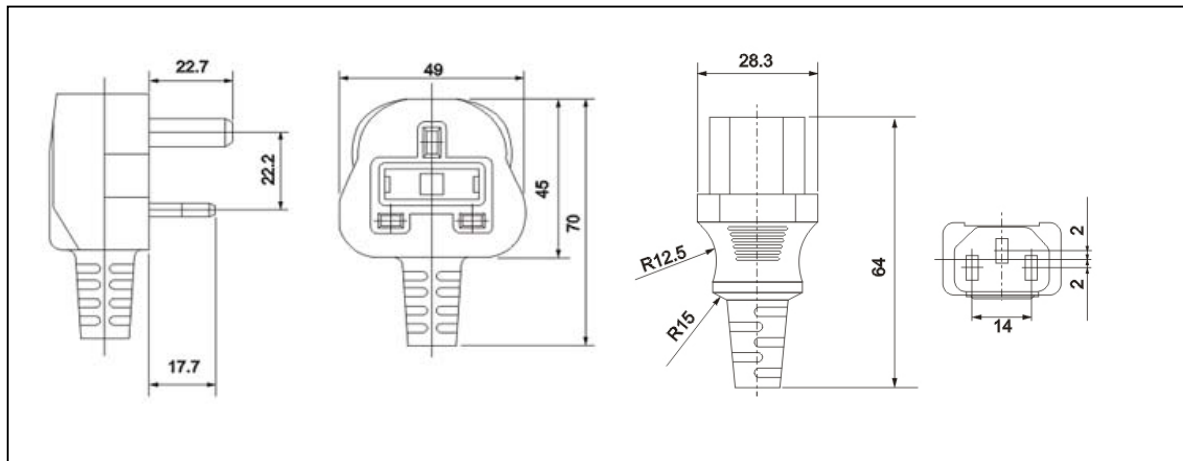


Shinn Thon UK Ltd

1st Floor, 223 Dalton Road, Barrow in Furness, Cumbria. LA14 1PQ
Tel: 0870 609 2264 Fax: 012229 833 733 E-mail: sales@shinnthon.com

Product Datasheet

SH10138(R)



End 1: UK Moulded Plug Black

Fuse: 5A Fuse

Lead: 2,00mts HO5VV-F 3x0,75 black

End 2: IEC Cold Connector (C13) black

Approvals:



Dimensions of plugs and connectors may differ from those illustrated. Other approved bodies' approvals may be substituted.

VAT No: 864336509

Company No: 05373145

Shinn Thon UK Ltd

1st Floor, 223 Dalton Road, Barrow in Furness, Cumbria. LA14 1PQ
Tel: 0870 609 2264 Fax: 012229 833 733 E-mail: sales@shinnthon.com

CERTIFICATE OF RoHS COMPLIANCE

SH10138(R) has been manufactured from materials that are compliant with the UK (EU) RoHS requirements.

The materials in our power cords range have been independently tested by an appropriate third party and we retain these records and intend to repeat such tests on an ongoing basis as part of our quality control procedures. Testing methods include:

- EPA method 3050B:1996 other acid digestion
- BSEN1122: 2001 method B other acid digestion
- EPA method 3052B:1996 other acid digestion
- EPA method 3060 & EPA 7196A:1992
- Atomic Absorption Spectrometer/ Inductively coupled Plasma Atomic Emission Spectrometer (ICP+AES) UV-VIS Spectrophotometer

Dimensions of plugs and connectors may differ from those illustrated. Other approved bodies' approvals may be substituted.

VAT No: 864336509

Company No: 05373145
