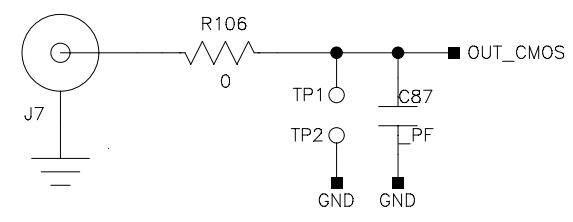
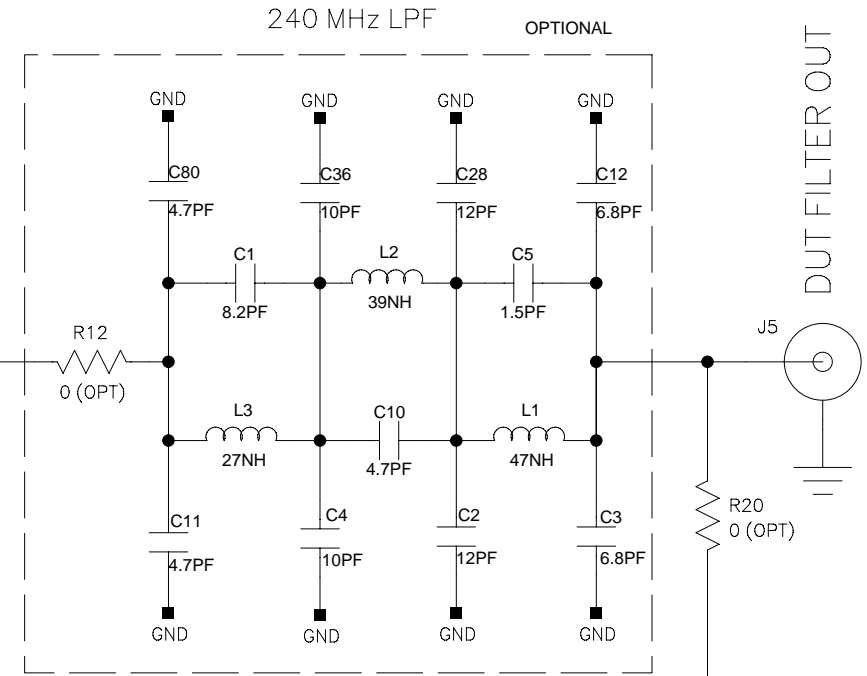


REVISIONS			
REV	DESCRIPTION	DATE	APPROVED

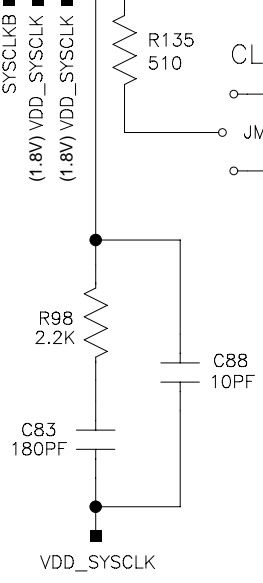
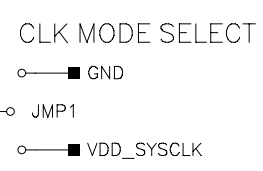
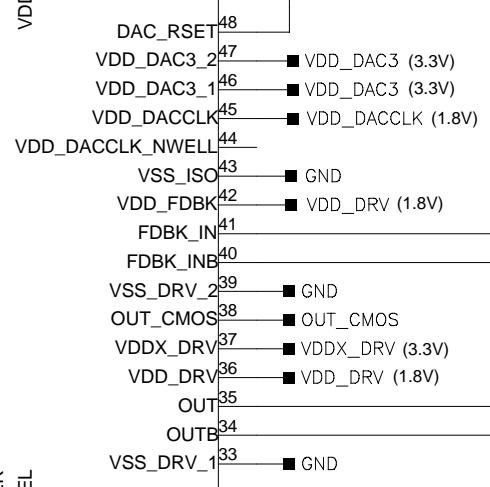
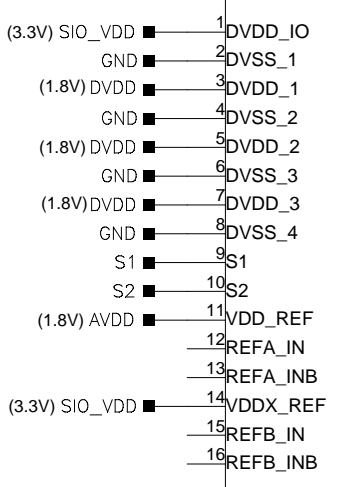
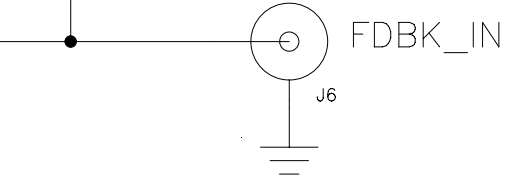
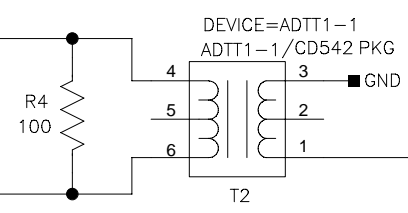
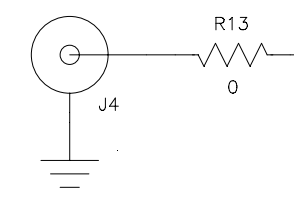
CMOS OUT



DEFAULT: INSTALL R13, NOT R12  
IF USING FILTER: REMOVE R13 & INSTALL BOXED ITEMS



DUT OUT/FILTER IN

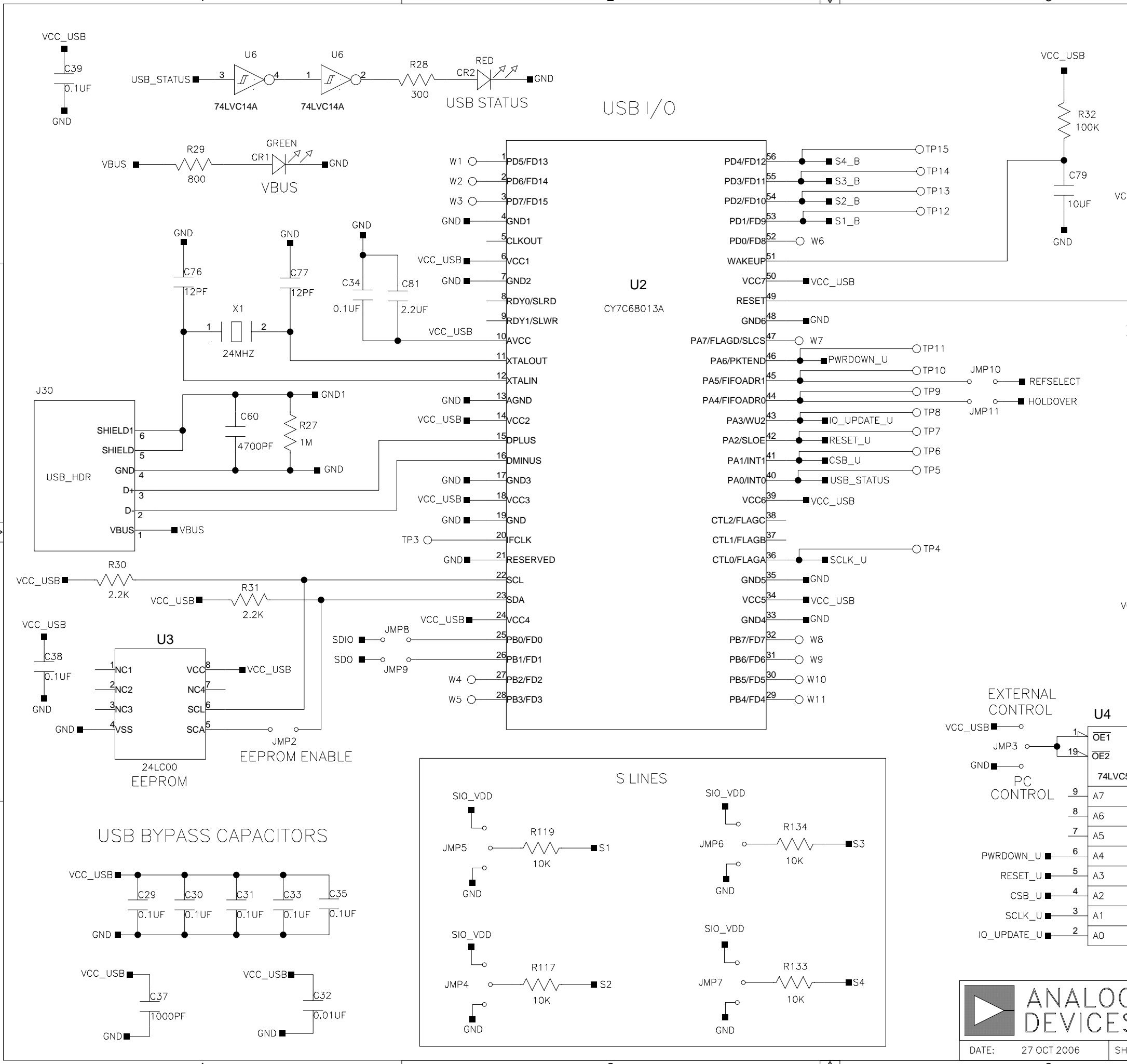


SYSCLK INPUT CIRCUITRY ON SHEET 4

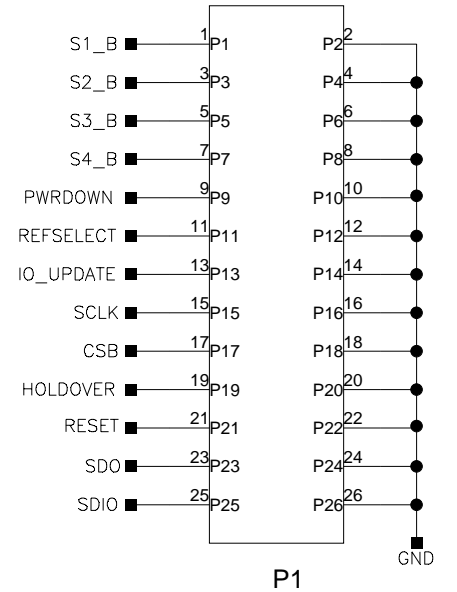
	<b>ANALOG DEVICES</b>	<b>HSC GREENSBORO</b> 7910 TRIAD CENTER DRIVE GREENSBORO NC 27409	TITLE <b>AD9912 EVALUATION BOARD</b>
	DATE: 27 OCT 2006	SHEET 1 OF 4	DRAWN BY: W. CLARK

REV  
A

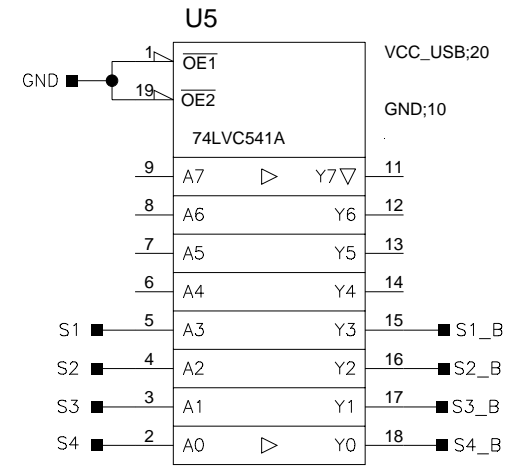
REVISIONS			
REV	DESCRIPTION	DATE	APPROVED



I/O HEADER  
(PROBING/EXTERNAL CONTROL)



I/O BUFFERS

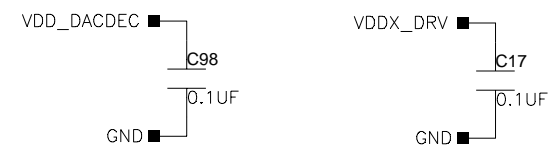
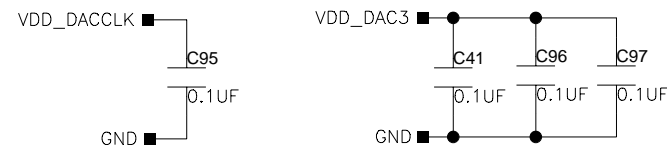
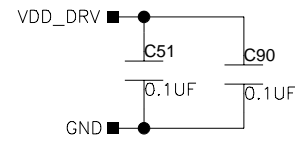
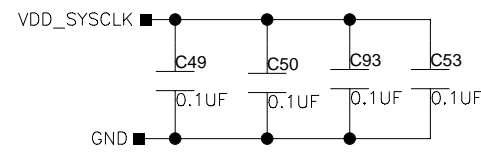
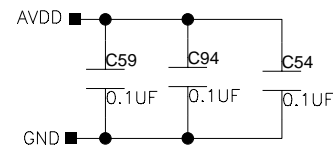
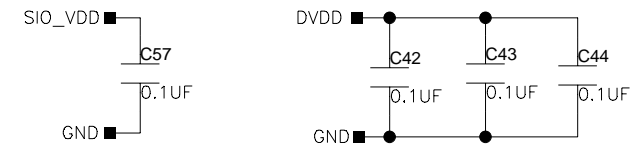


	<b>HSC GREENSBORO</b> 7910 TRIAD CENTER DRIVE GREENSBORO NC 27409	TITLE	
		<b>AD9912 EVALUATION BOARD</b>	
DATE: 27 OCT 2006	SHEET 2 OF 4	DRAWN BY: W. CLARK	REV <b>A</b>

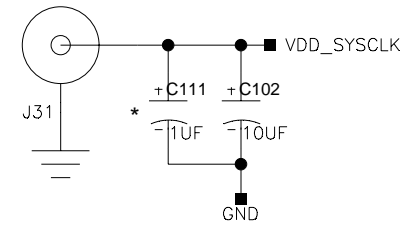
REVISIONS			
REV	DESCRIPTION	DATE	APPROVED

## POWER SUPPLIES

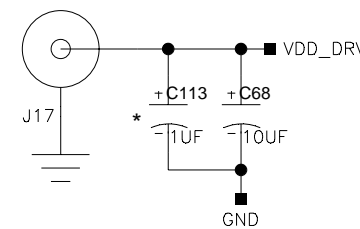
### DUT BYPASS CAPACITORS



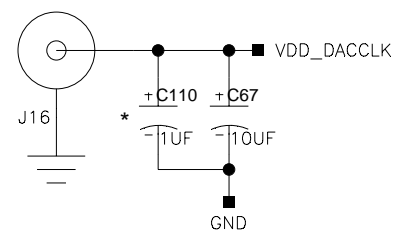
### VDD\_SYSCLK (1.8V)



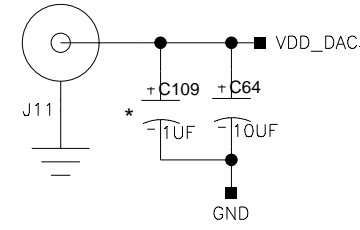
### VDD\_DRV/VDD\_FDBK (1.8V)



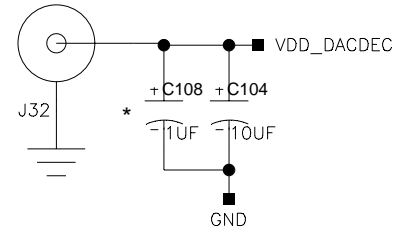
### VDD\_DACCLK (1.8V)



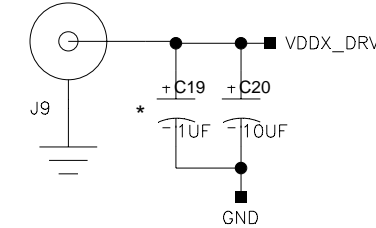
### VDD\_DAC3 (3.3V)



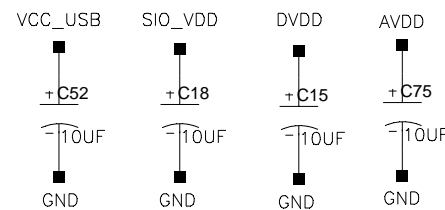
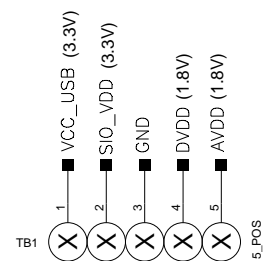
### VDD\_DACDEC (1.8V)



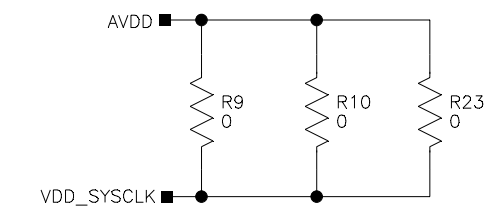
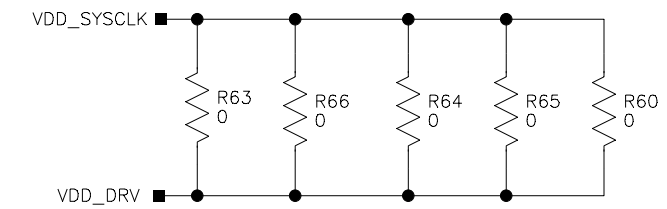
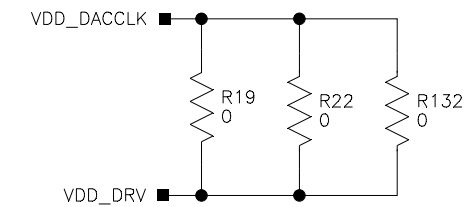
### VDDX\_DRV (3.3V)



\* 1 uF CAP ON BOTTOM SIDE IS OPTIONAL

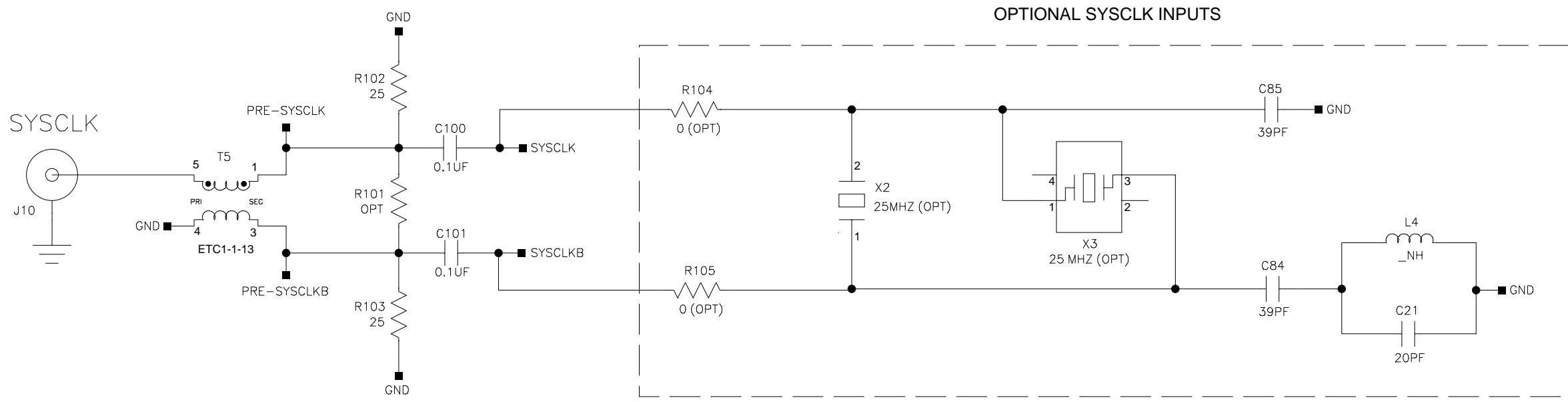


### OPTIONAL 1.8V POWER PLANE STITCHING



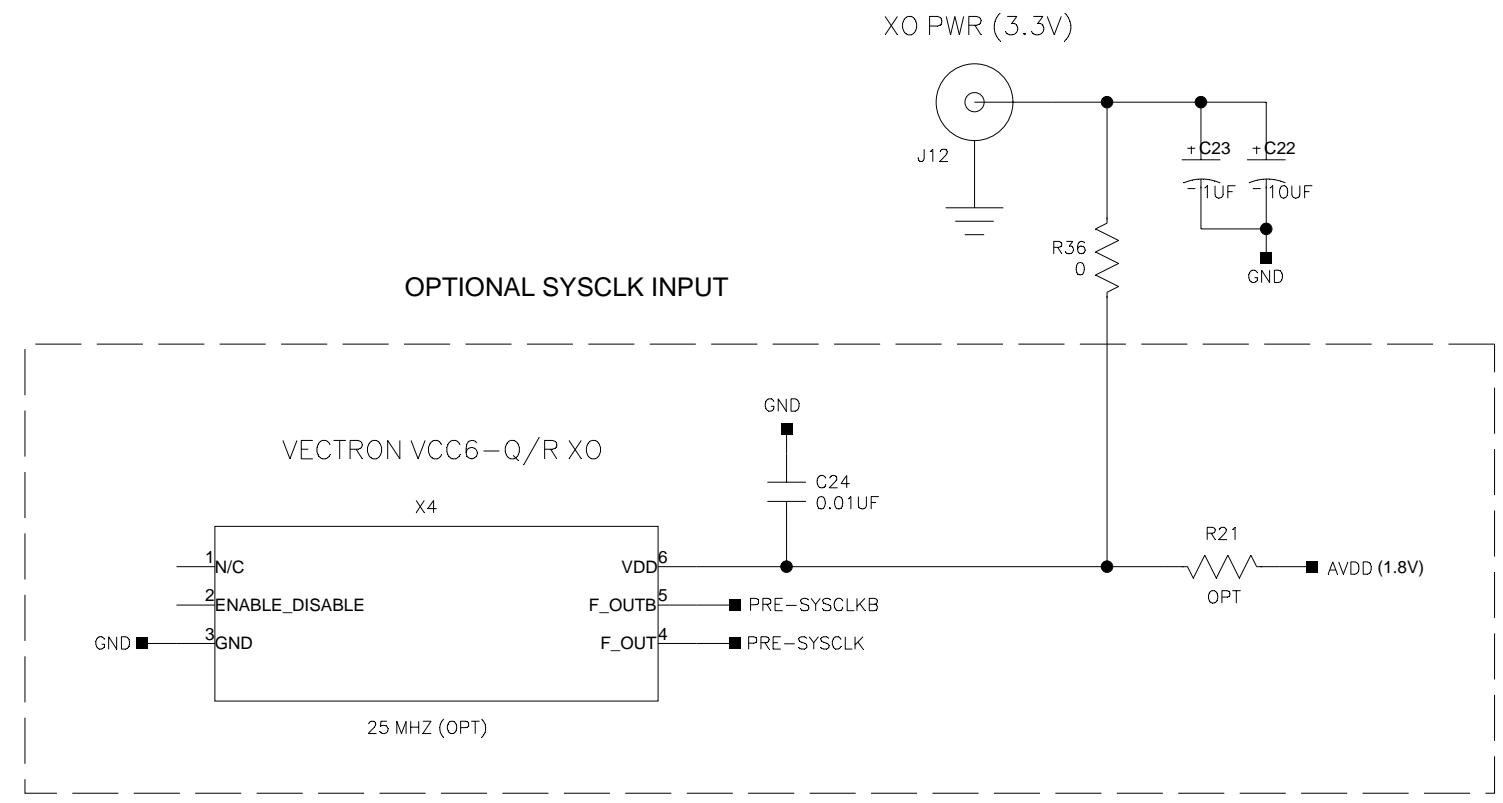
REVISIONS			
REV	DESCRIPTION	DATE	APPROVED

IF USING ONE OF THE CRYSTALS OR THE XO (INSTEAD OF T5):  
REMOVE C100, C101 & INSTALL ASSOCIATED BOXED ITEMS



DEFAULT: DO NOT INSTALL BOXED ITEMS

XO PWR (3.3V)



DEFAULT: DO NOT INSTALL BOXED ITEMS

	<b>HSC GREENSBORO</b> 7910 TRIAD CENTER DRIVE GREENSBORO NC 27409	<b>TITLE</b> <b>AD9912 EVALUATION BOARD</b>	
	DATE: 27 OCT 2006	SHEET 4 OF 4	DRAWN BY: W. CLARK