



# Dual 500kHz, 12-Bit, 2 + 2 Channel Simultaneous Sampling ANALOG-TO-DIGITAL CONVERTER

## FEATURES

- 4 INPUT CHANNELS
- FULLY DIFFERENTIAL INPUTS
- 2 $\mu$ s TOTAL THROUGHPUT PER CHANNEL
- GUARANTEED NO MISSING CODES
- PARALLEL INTERFACE
- 1MHz EFFECTIVE SAMPLING RATE
- LOW POWER: 40mW

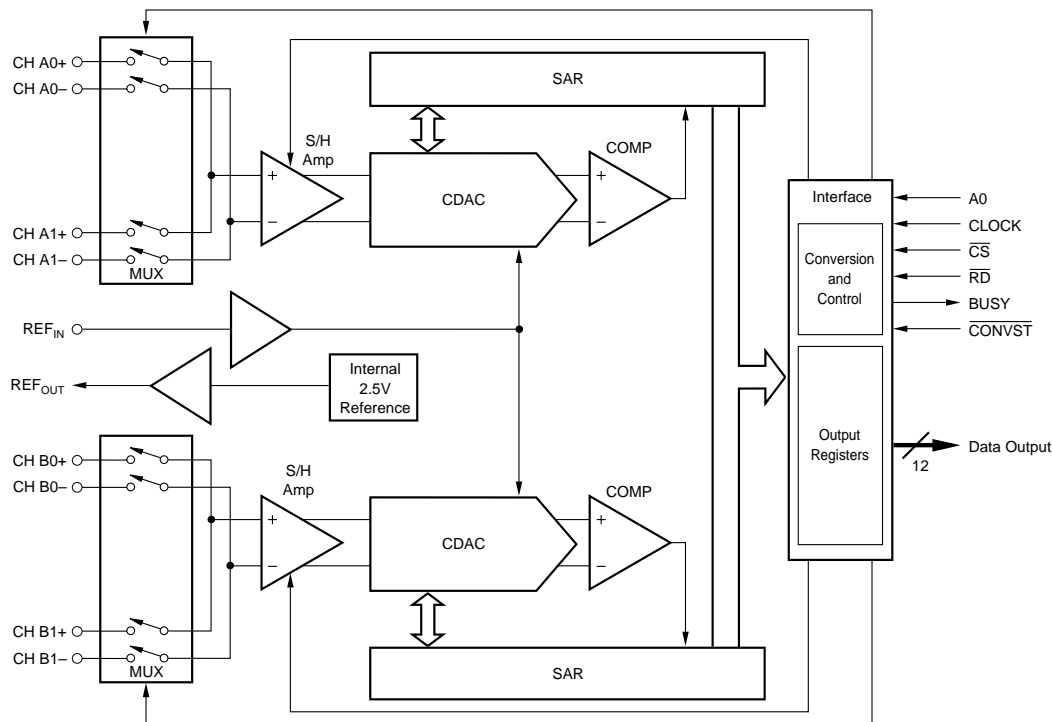
## APPLICATIONS

- MOTOR CONTROL
- MULTI-AXIS POSITIONING SYSTEMS
- 3-PHASE POWER CONTROL

## DESCRIPTION

The ADS7862 is a dual 12-bit, 500kHz analog-to-digital converter (A/D) with 4 fully differential input channels grouped into two pairs for high speed simultaneous signal acquisition. Inputs to the sample-and-hold amplifiers are fully differential and are maintained differential to the input of the A/D converter. This provides excellent common-mode rejection of 80dB at 50kHz, which is important in high noise environments.

The ADS7862 offers parallel interface and control inputs to minimize software overhead. The output data for each channel is available as a 12-bit word. The ADS7862 is offered in an TQFP-32 package and is fully specified over the -40°C to +85°C operating range.



Please be aware that an important notice concerning availability, standard warranty, and use in critical applications of Texas Instruments semiconductor products and disclaimers thereto appears at the end of this data sheet.

All trademarks are the property of their respective owners.

## ORDERING INFORMATION<sup>(1)</sup>

PRODUCT	MAXIMUM RELATIVE ACCURACY (LSB)	MAXIMUM GAIN ERROR (%)	PACKAGE	PACKAGE DESIGNATOR	SPECIFICATION TEMPERATURE RANGE	ORDERING NUMBER	TRANSPORT MEDIA, QUANTITY
ADS7862Y	±2	±0.75	TQFP-32	PBS	-40°C to +85°C	ADS7862Y/250	Tape and Reel, 250
ADS7862Y	"	"	"	"	"	ADS7862Y/2K5	Tape and Reel, 2500
ADS7862YB	±1	±0.5	TQFP-32	PBS	-40°C to +85°C	ADS7862YB/250	Tape and Reel, 250
ADS7862YB	"	"	"	"	"	ADS7862YB/2K5	Tape and Reel, 2500

NOTE: (1) For the most current package and ordering information, see the Package Option Addendum at the end of this data sheet, or see the TI website at [www.ti.com](http://www.ti.com).

## ABSOLUTE MAXIMUM RATINGS

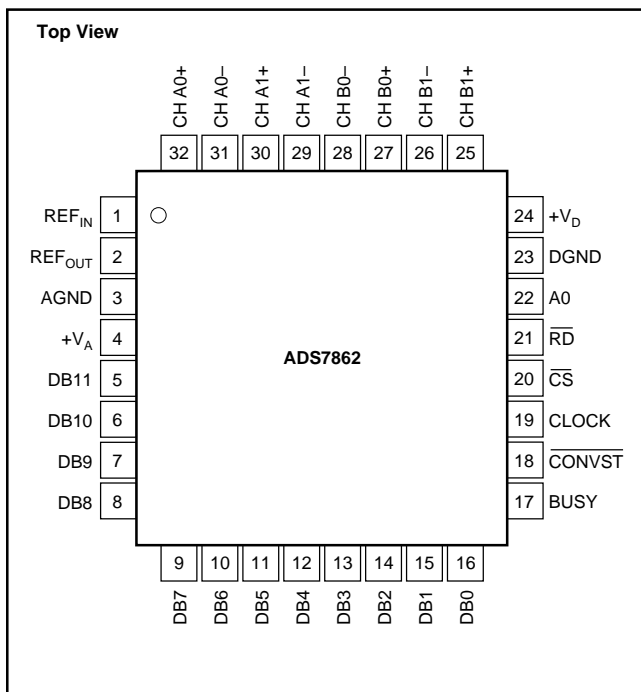
Analog Inputs to AGND: Any Channel Input	.....	-0.3V to (+V <sub>D</sub> + 0.3V)
REF <sub>IN</sub>	.....	-0.3V to (+V <sub>D</sub> + 0.3V)
Digital Inputs to DGND	.....	-0.3V to (+V <sub>D</sub> + 0.3V)
Ground Voltage Differences: AGND, DGND	.....	±0.3V
+V <sub>D</sub> to AGND	.....	-0.3V to +6V
Power Dissipation	.....	325mW
Maximum Junction Temperature	.....	+150°C
Operating Temperature Range	.....	-40°C to +85°C
Storage Temperature Range	.....	-65°C to +150°C
Lead Temperature (soldering, 10s)	.....	+300°C

## ELECTROSTATIC DISCHARGE SENSITIVITY

This integrated circuit can be damaged by ESD. Texas Instruments recommends that all integrated circuits be handled with appropriate precautions. Failure to observe proper handling and installation procedures can cause damage.

ESD damage can range from subtle performance degradation to complete device failure. Precision integrated circuits may be more susceptible to damage because very small parametric changes could cause the device not to meet its published specifications.

## PIN CONFIGURATION



## PIN DESCRIPTIONS

PIN	NAME	DESCRIPTION
1	REF <sub>IN</sub>	Reference Input
2	REF <sub>OUT</sub>	+2.5V Reference Output. Connect directly to REF <sub>IN</sub> (pin 1) when using internal reference.
3	AGND	Analog Ground
4	+V <sub>A</sub>	Analog Power Supply, +5VDC. Connect directly to digital power supply (pin 24). Decouple to analog ground with a 0.1µF ceramic capacitor and a 10µF tantalum capacitor.
5	DB11	Data Bit 11, MSB
6	DB10	Data Bit 10
7	DB9	Data Bit 9
8	DB8	Data Bit 8
9	DB7	Data Bit 7
10	DB6	Data Bit 6
11	DB5	Data Bit 5
12	DB4	Data Bit 4
13	DB3	Data Bit 3
14	DB2	Data Bit 2
15	DB1	Data Bit 1
16	DB0	Data Bit 0, LSB
17	BUSY	HIGH when a conversion is in progress.
18	CONVST	Convert Start
19	CLOCK	An external CMOS-compatible clock can be applied to the CLOCK input to synchronize the conversion process to an external source. The CLOCK pin controls the sampling rate by the equation: $CLOCK \cdot 16 \cdot f_{SAMPLE}$ .
20	CS	Chip Select
21	RD	Synchronization pulse for the parallel output. During a Read operation, the first falling edge selects the A register and the second edge selects the B register, A0, then controls whether input 0 or input 1 is read.
22	A0	On the falling edge of Convert Start, when A0 is LOW Channel A0 and Channel B0 are converted and when it is HIGH, Channel A1 and Channel B1 are converted. During a Read operation, the first falling edge selects the A register and the second edge selects the B of RD register, A0, then controls whether input 0 or input 1 is read.
23	DGND	Digital Ground. Connect directly to analog ground (pin 3).
24	+V <sub>D</sub>	Digital Power Supply, +5VDC
25	CH B1+	Non-Inverting Input Channel B1
26	CH B1-	Inverting Input Channel B1
27	CH B0+	Non-Inverting Input Channel B0
28	CH B0-	Inverting Input Channel B0
29	CH A1-	Inverting Input Channel A1
30	CH A1+	Non-Inverting Input Channel A1
31	CH A0-	Inverting Input Channel A0
32	CH A0+	Non-Inverting Input Channel A0

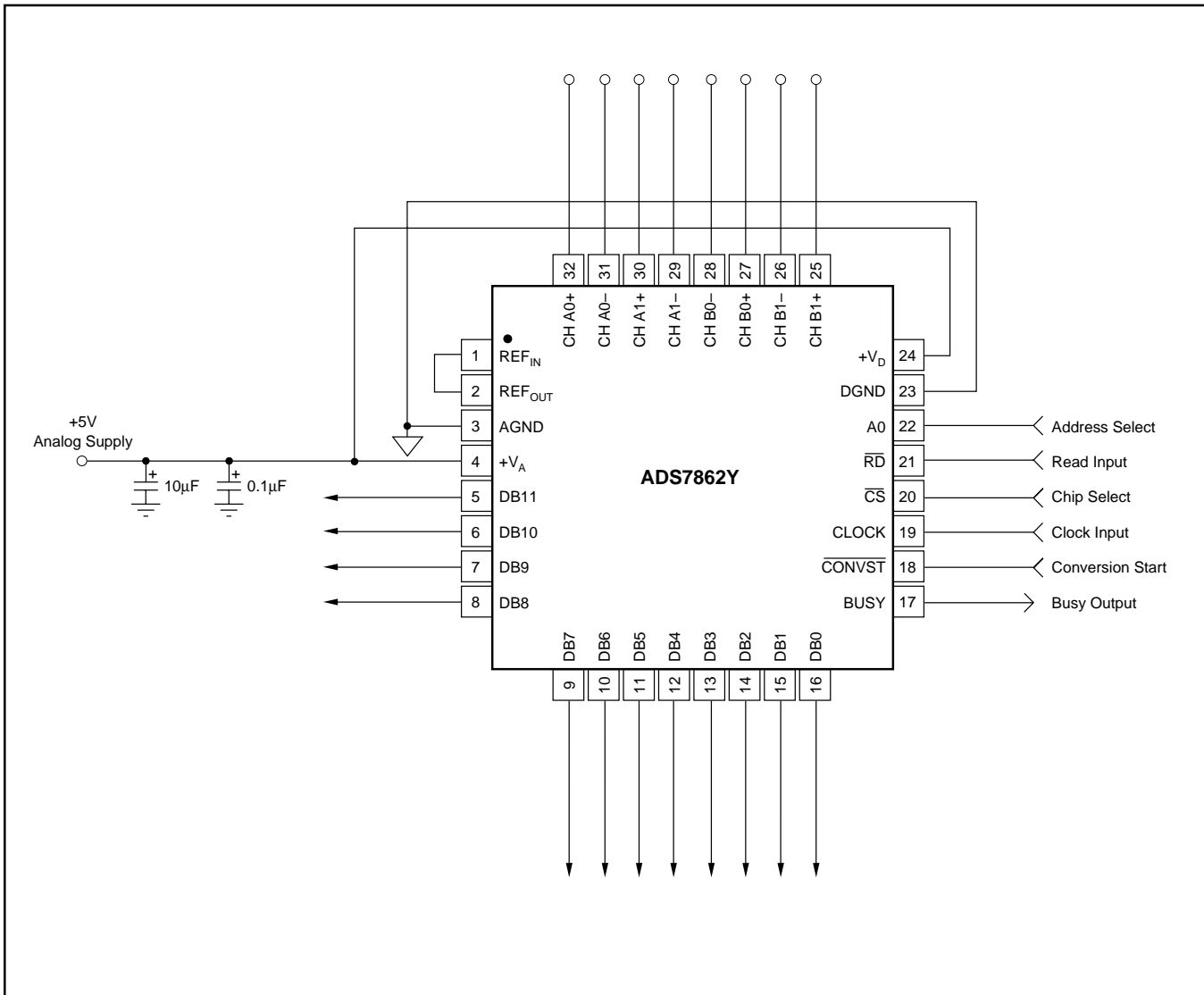
# ELECTRICAL CHARACTERISTICS

All specifications  $T_{MIN}$  to  $T_{MAX}$ ,  $+V_A = +V_D = +5V$ ,  $V_{REF} = \text{internal } +2.5V$  and  $f_{CLK} = 8MHz$ ,  $f_{SAMPLE} = 500kHz$ , unless otherwise noted.

PARAMETER	CONDITIONS	ADS7862Y			ADS7862YB			UNITS
		MIN	TYP	MAX	MIN	TYP	MAX	
<b>RESOLUTION</b>				12			*	Bits
<b>ANALOG INPUT</b>								
Input Voltage Range-Bipolar	$V_{CENTER} = \text{Internal } V_{REF} \text{ at } 2.5V$	$-V_{REF}$		$+V_{REF}$	*		*	V
Absolute Input Range	+IN	-0.3		$V_{CC} + 0.3$				V
	-IN	-0.3		$V_{CC} + 0.3$				V
Input Capacitance			15			*		pF
Input Leakage Current	CLK = GND		$\pm 1$			*		$\mu A$
<b>SYSTEM PERFORMANCE</b>								
No Missing Codes		12			*			Bits
Integral Linearity			$\pm 0.75$	$\pm 2$		$\pm 0.5$	$\pm 1$	LSB
Integral Linearity Match			0.5	1		*	*	LSB
Differential Linearity			$\pm 0.75$			$\pm 0.5$	$\pm 1$	LSB
Bipolar Offset Error	Referenced to $REF_{IN}$		$\pm 0.75$	$\pm 3$		$\pm 0.5$	$\pm 2$	LSB
Bipolar Offset Error Match				3			2	LSB
Positive Gain Error	Referenced to $REF_{IN}$		$\pm 0.15$	$\pm 0.75$		$\pm 0.1$	$\pm 0.5$	% of FSR
Positive Gain Error Match				2			1	LSB
Negative Gain Error	Referenced to $REF_{IN}$		$\pm 0.15$	$\pm 0.75$		$\pm 0.1$	$\pm 0.5$	% of FSR
Negative Gain Error Match				2			1	LSB
Common-Mode Rejection Ratio	At DC		80			*		dB
	$V_{IN} = \pm 1.25V_{PP}$ at 50kHz		80			*		dB
Noise			120			*		$\mu V_{RMS}$
Power Supply Rejection Ratio			$\pm 0.5$	$\pm 2$		*	*	LSB
<b>SAMPLING DYNAMICS</b>								
Conversion Time per A/D			1.75			*		$\mu s$
Acquisition Time			0.25			*		$\mu s$
Throughput Rate		500			*			kHz
Aperture Delay			3.5			*		ns
Aperture Delay Matching			100			*		ps
Aperture Jitter			50			*		ps
Small-Signal Bandwidth			40			*		MHz
<b>DYNAMIC CHARACTERISTICS</b>								
Total Harmonic Distortion	$V_{IN} = \pm 2.5V_{PP}$ at 100kHz		75			*		dB
SINAD	$V_{IN} = \pm 2.5V_{PP}$ at 100kHz		71			*		dB
Spurious Free Dynamic Range	$V_{IN} = \pm 2.5V_{PP}$ at 100kHz		-78			*		dB
Channel-to-Channel Isolation	$V_{IN} = \pm 2.5V_{PP}$ at 100kHz			-80			*	dB
<b>VOLTAGE REFERENCE</b>								
Internal		2.475	2.5	2.525	*	*	*	V
Internal Drift			$\pm 25$			*		ppm/ $^{\circ}C$
Internal Noise			50			*		$\mu V_{PP}$
Internal Source Current			2			*		mA
Internal Load Rejection			0.005			*		mV/ $\mu A$
Internal PSRR			65			*		dB
External Voltage Range		1.2	2.5	2.6	*	*	*	V
Input Current			0.05	1		*	*	$\mu A$
Input Capacitance			5			*		pF
<b>DIGITAL INPUT/OUTPUT</b>								
Logic Family			CMOS			*		
Logic Levels: $V_{IH}$	$I_{IH} = +5\mu A$	3.0		$+V_{DD} + 0.3$	*		*	V
$V_{IL}$	$I_{IL} = +5\mu A$	-0.3		0.8	*		*	V
$V_{OH}$	$I_{OH} = -500\mu A$	3.5			*		*	V
$V_{OL}$	$I_{OL} = 500\mu A$			0.4			*	V
External Clock		0.2		8	*		*	MHz
Data Format				Binary Two's Complement		*		
<b>POWER SUPPLY REQUIREMENTS</b>								
Power Supply Voltage, +V		4.75	5	5.25	*	*	*	V
Quiescent Current, +V <sub>A</sub>			5	8		*	*	mA
Power Dissipation			25	40		*	*	mW

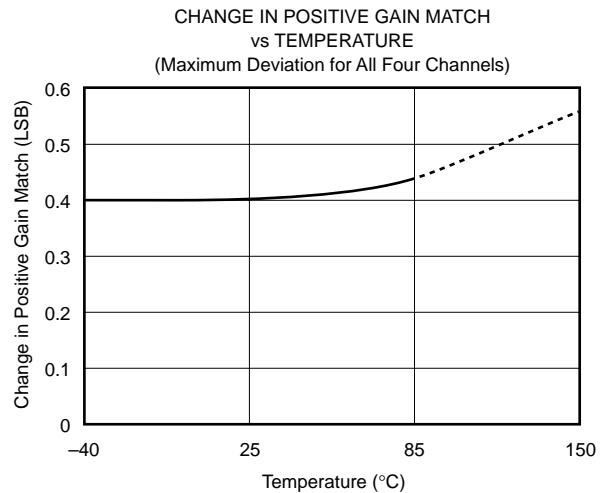
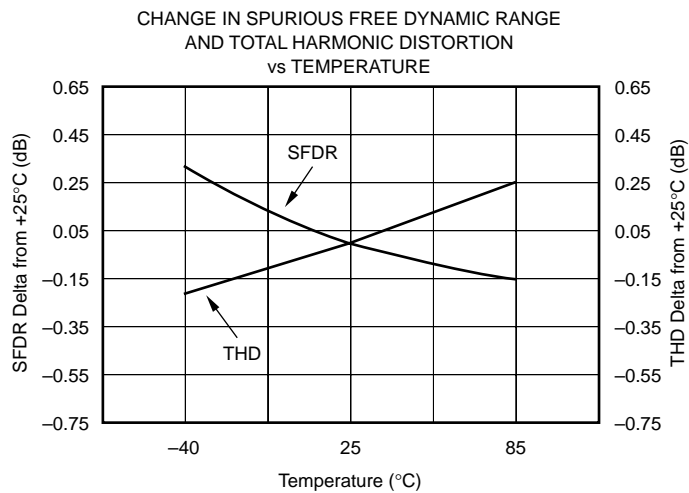
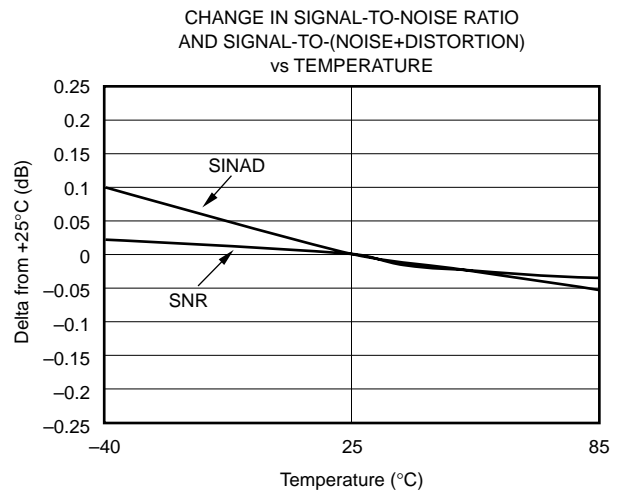
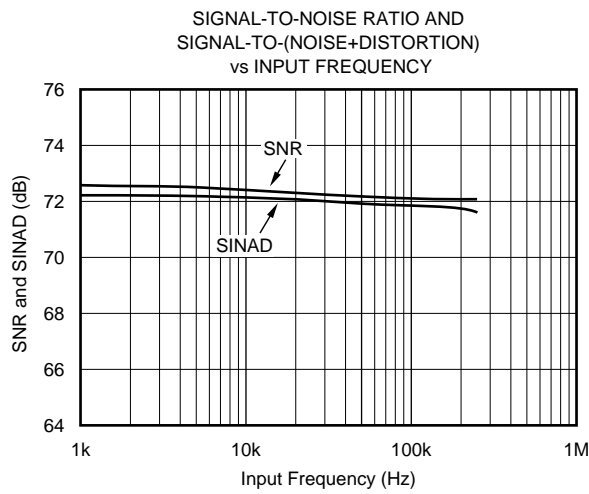
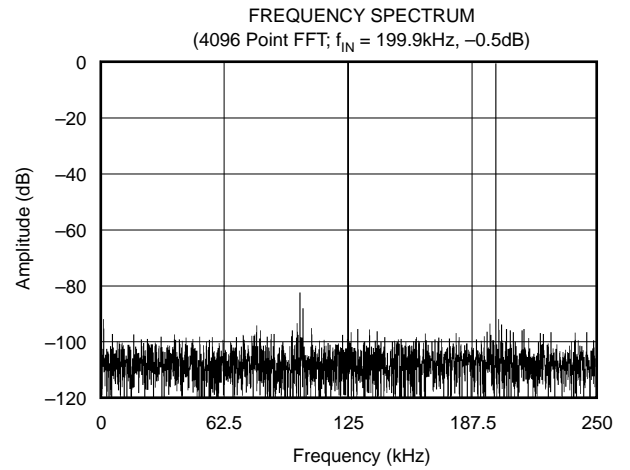
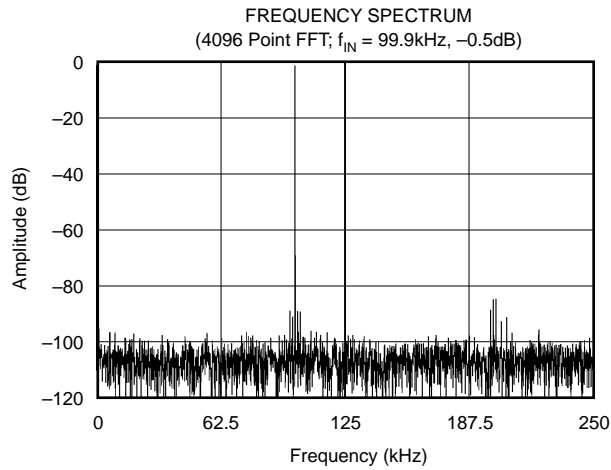
\* Specifications same as ADS7862Y.

# BASIC OPERATION



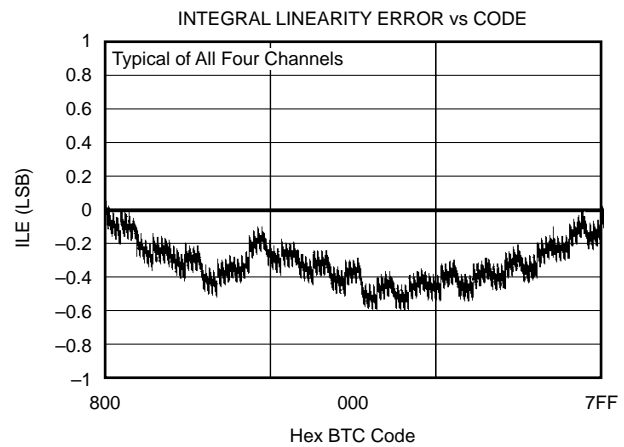
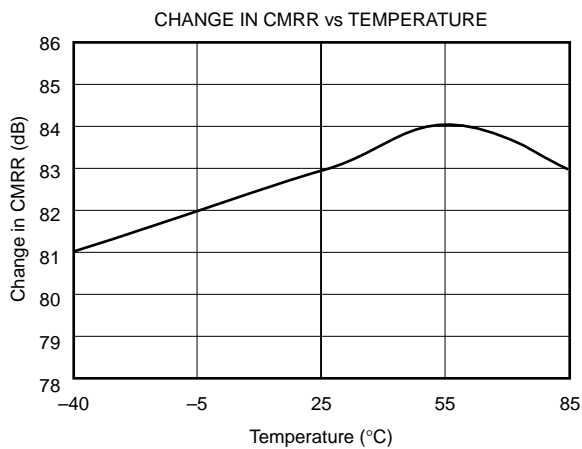
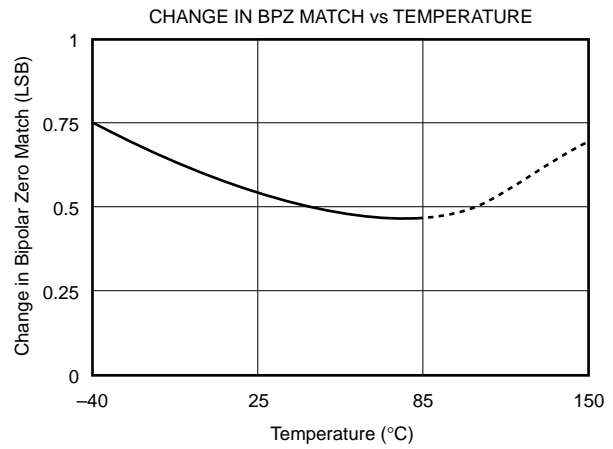
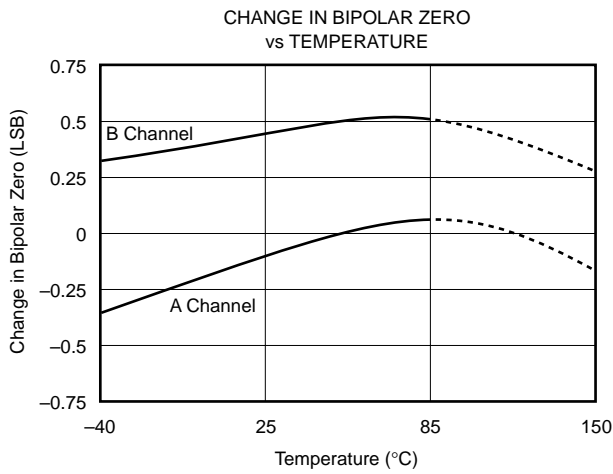
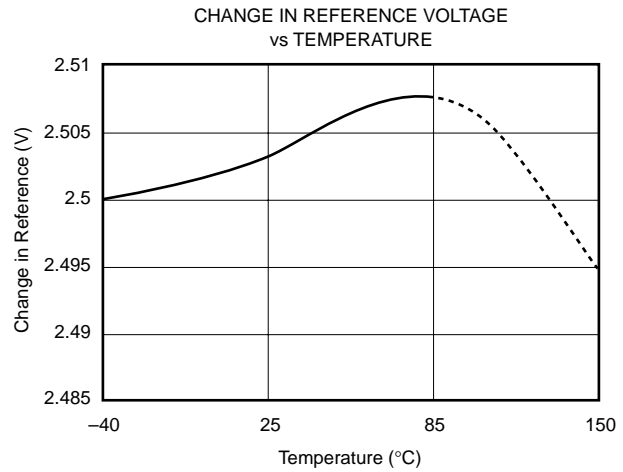
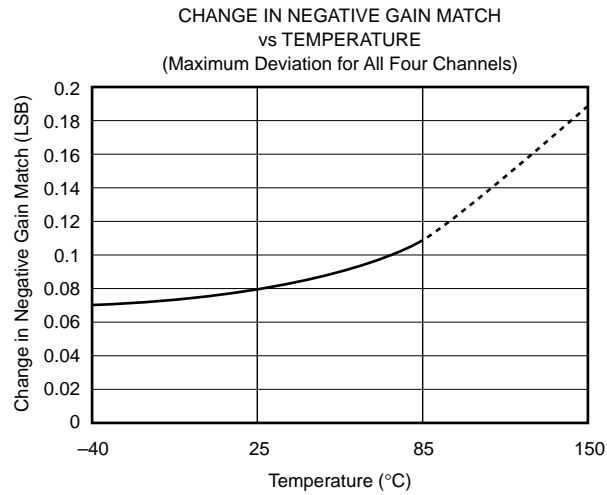
# TYPICAL PERFORMANCE CHARACTERISTICS

At  $T_A = +25^\circ\text{C}$ ,  $+V_A = +V_D = +5\text{V}$ ,  $V_{\text{REF}} = \text{internal } +2.5\text{V}$  and  $f_{\text{CLK}} = 8\text{MHz}$ ,  $f_{\text{SAMPLE}} = 500\text{kHz}$ , unless otherwise noted.



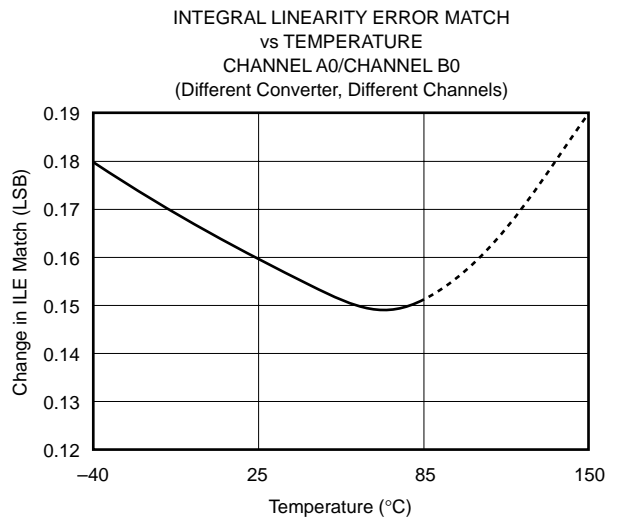
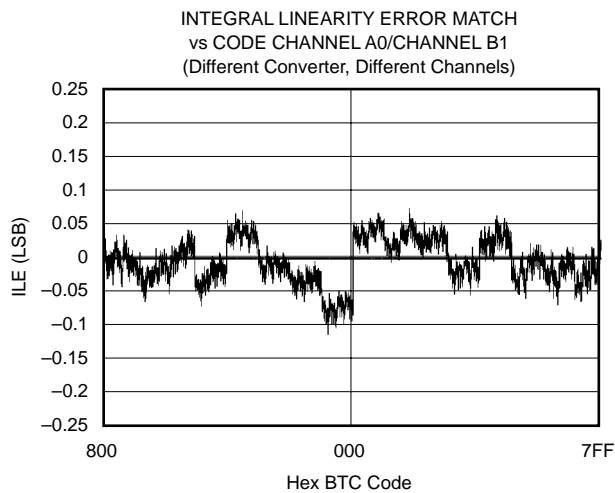
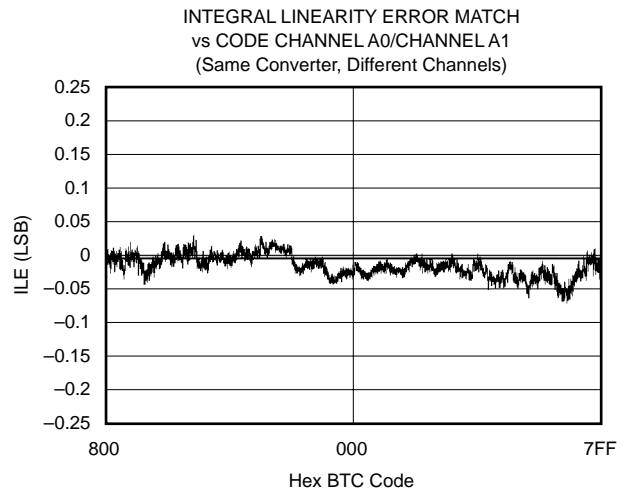
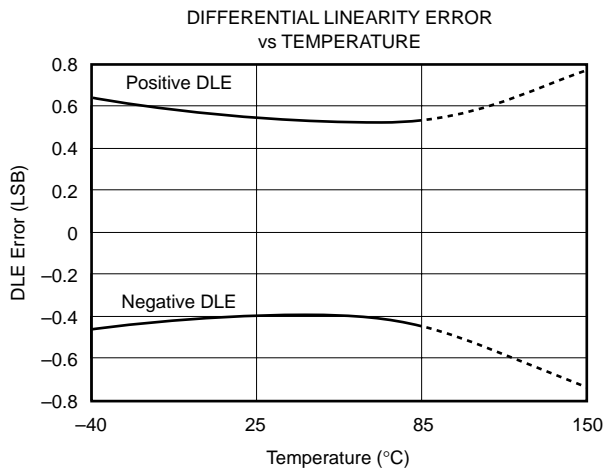
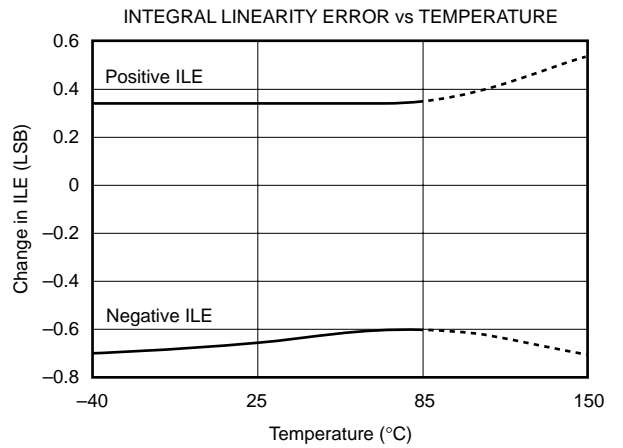
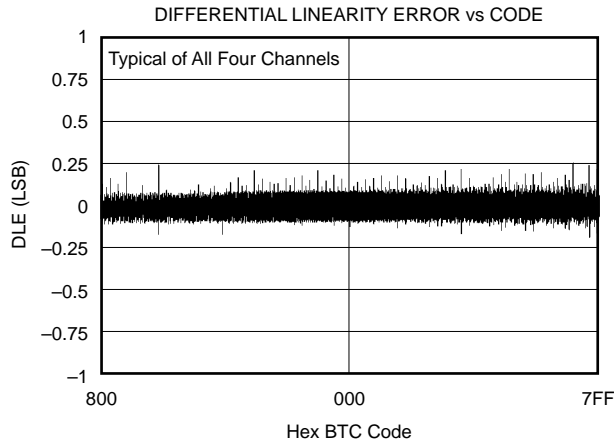
# TYPICAL PERFORMANCE CHARACTERISTICS (Cont.)

At  $T_A = +25^\circ\text{C}$ ,  $+V_A = +V_D = +5\text{V}$ ,  $V_{\text{REF}} = \text{internal } +2.5\text{V}$  and  $f_{\text{CLK}} = 8\text{MHz}$ ,  $f_{\text{SAMPLE}} = 500\text{kHz}$ , unless otherwise noted.



# TYPICAL PERFORMANCE CHARACTERISTICS (Cont.)

At  $T_A = +25^\circ\text{C}$ ,  $+V_A = +V_D = +5\text{V}$ ,  $V_{\text{REF}} = \text{internal } +2.5\text{V}$  and  $f_{\text{CLK}} = 8\text{MHz}$ ,  $f_{\text{SAMPLE}} = 500\text{kHz}$ , unless otherwise noted.



# INTRODUCTION

The ADS7862 is a high speed, low power, dual 12-bit A/D converter that operates from a single +5V supply. The input channels are fully differential with a typical common-mode rejection of 80dB. The part contains dual 2 $\mu$ s successive approximation A/Ds, two differential sample-and-hold amplifiers, an internal +2.5V reference with REF<sub>IN</sub> and REF<sub>OUT</sub> pins and a high speed parallel interface. There are four analog inputs that are grouped into two channels (A and B) selected by the A0 input (A0 LOW selects Channels A0 and B0, while A0 HIGH selects Channels A1 and B1). Each A/D converter has two inputs (A0 and A1 and B0 and B1) that can be sampled and converted simultaneously, thus preserving the relative phase information of the signals on both analog inputs. The part accepts an analog input voltage in the range of  $-V_{REF}$  to  $+V_{REF}$ , centered around the internal +2.5V reference. The part will also accept bipolar input ranges when a level shift circuit is used at the front end (see Figure 7).

A conversion is initiated on the ADS7862 by bringing the CONVST pin LOW for a minimum of 15ns. CONVST LOW places both sample-and-hold amplifiers in the hold state simultaneously and the conversion process is started on both channels. The BUSY output will then go HIGH and remain HIGH for the duration of the conversion cycle. Depending on the status of the A0 pin, the data will either reflect a conversion of Channel 0 (A0 LOW) or Channel 1 (A0 HIGH). The data can be read from the parallel output bus following the conversion by bringing both RD and CS LOW.

Conversion time for the ADS7862 is 1.75 $\mu$ s when an 8MHz external clock is used. The corresponding acquisition time is 0.25 $\mu$ s. To achieve maximum output rate (500kHz), the read function can be performed immediately at the start of the next conversion.

NOTE: This mode of operation is described in more detail in the Timing and Control section of this data sheet.

## SAMPLE-AND-HOLD SECTION

The sample-and-hold amplifiers on the ADS7862 allow the A/Ds to accurately convert an input sine wave of full-scale amplitude to 12-bit accuracy. The input bandwidth of the sample-and-hold is greater than the Nyquist rate (Nyquist equals one-half of the sampling rate) of the A/D even when the A/D is operated at its maximum throughput rate of 500kHz. The typical small-signal bandwidth of the sample-and-hold amplifiers is 40MHz.

Typical aperture delay time or the time it takes for the ADS7862 to switch from the sample to the hold mode following the CONVST pulse is 3.5ns. The average delta of repeated aperture delay values is typically 50ps (also known as aperture jitter). These specifications reflect the ability of the ADS7862 to capture AC input signals accurately at the exact same moment in time.

## REFERENCE

Under normal operation, the REF<sub>OUT</sub> pin (pin 2) should be directly connected to the REF<sub>IN</sub> pin (pin 1) to provide an internal +2.5V reference to the ADS7862. The ADS7862 can operate, however, with an external reference in the range of 1.2V to 2.6V for a corresponding full-scale range of 2.4V to 5.2V.

The internal reference of the ADS7862 is double-buffered. If the internal reference is used to drive an external load, a buffer is provided between the reference and the load applied to pin 2 (the internal reference can typically source 2mA of current—load capacitance should not exceed 100pF). If an external reference is used, the second buffer provides isolation between the external reference and the CDAC. This buffer is also used to recharge all of the capacitors of both CDACs during conversion.

## ANALOG INPUT

The analog input is bipolar and fully differential. There are two general methods of driving the analog input of the ADS7862: single-ended or differential (see Figures 1 and 2). When the input is single-ended, the  $-IN$  input is held at the common-mode voltage. The  $+IN$  input swings around the same common voltage and the peak-to-peak amplitude is the (common-mode  $+V_{REF}$ ) and the (common-mode  $-V_{REF}$ ). The value of  $V_{REF}$  determines the range over which the common-mode voltage may vary (see Figure 3).

When the input is differential, the amplitude of the input is the difference between the  $+IN$  and  $-IN$  input, or:  $(+IN) - (-IN)$ . The peak-to-peak amplitude of each input is  $\pm 1/2 V_{REF}$  around this common voltage. However, since the inputs are 180° out of phase, the peak-to-peak amplitude of the differential voltage is  $+V_{REF}$  to  $-V_{REF}$ . The value of  $V_{REF}$  also determines the range of the voltage that may be common to both inputs (see Figure 4).

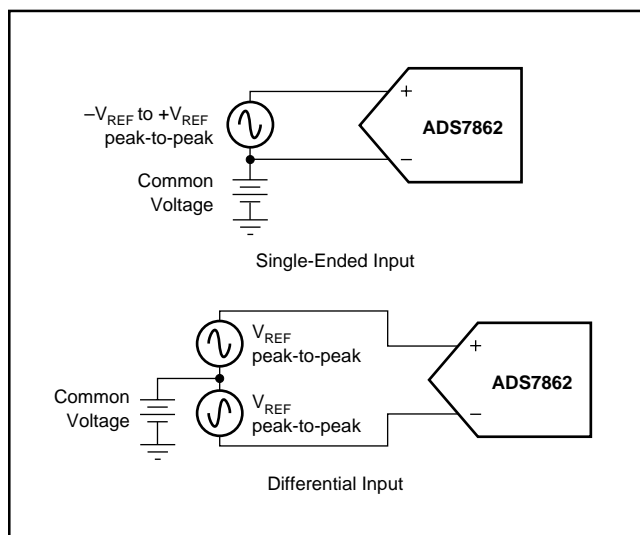


FIGURE 1. Methods of Driving the ADS7862 Single-Ended or Differential.



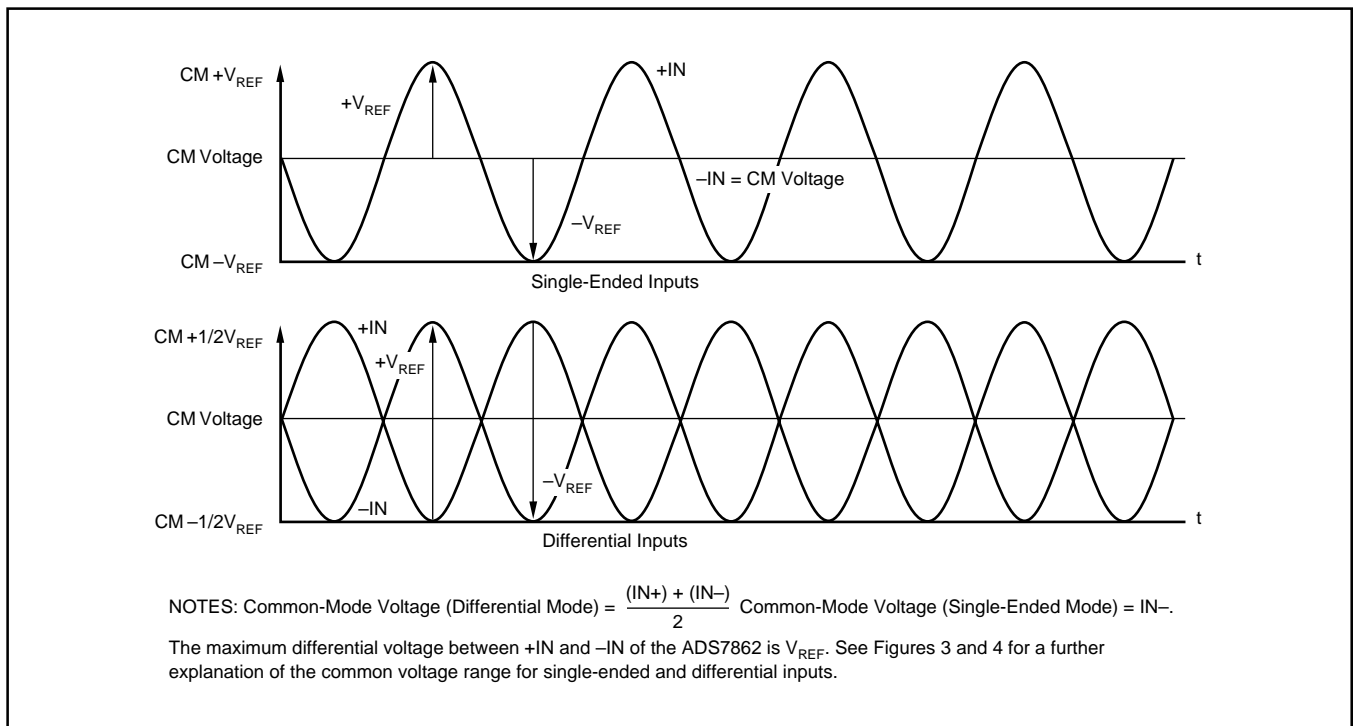


FIGURE 2. Using the ADS7862 in the Single-Ended and Differential Input Modes.

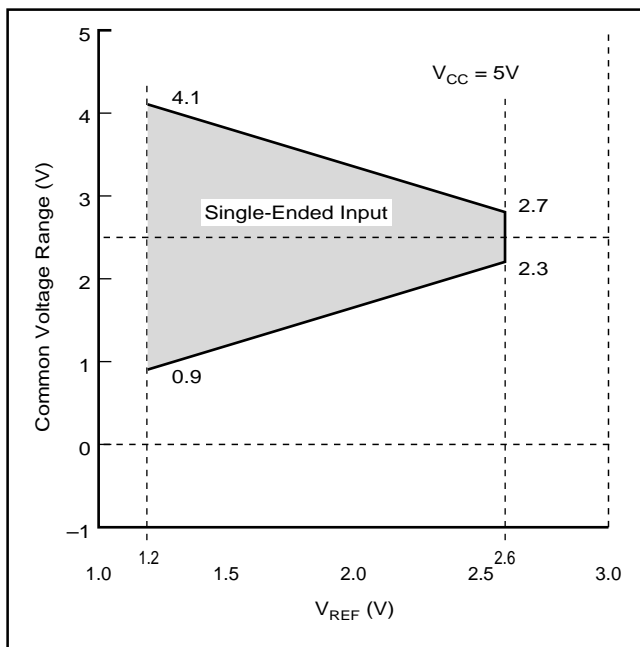


FIGURE 3. Single-Ended Input: Common-Mode Voltage Range vs V<sub>REF</sub>.

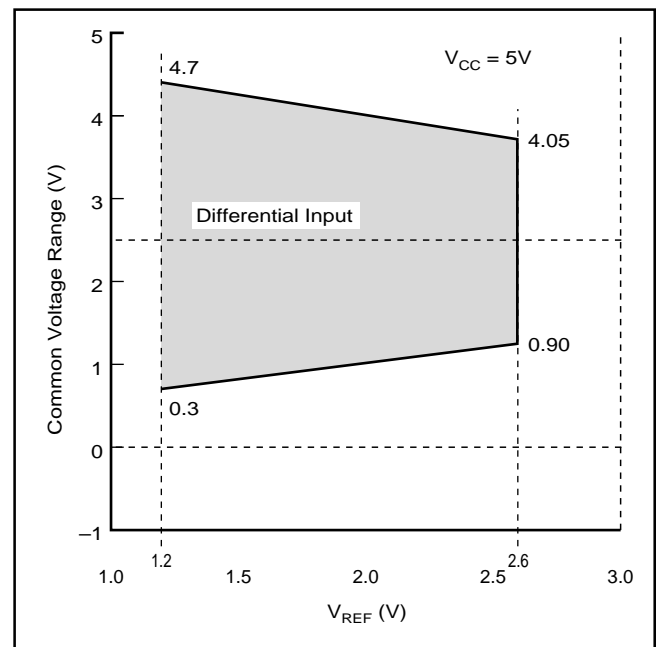


FIGURE 4. Differential Input: Common-Mode Voltage Range vs V<sub>REF</sub>.

In each case, care should be taken to ensure that the output impedance of the sources driving the +IN and -IN inputs are matched. Otherwise, this may result in offset error, which will change with both temperature and input voltage.

The input current on the analog inputs depend on a number of factors: sample rate, input voltage, and source impedance. Essentially, the current into the ADS7862 charges the internal capacitor array during the sampling period. After this

capacitance has been fully charged, there is no further input current. The source of the analog input voltage must be able to charge the input capacitance (15pF) to a 12-bit settling level within 2 clock cycles. When the converter goes into the hold mode, the input impedance is greater than 1GΩ.

Care must be taken regarding the absolute analog input voltage. The +IN input should always remain within the range of GND - 300mV to V<sub>DD</sub> + 0.3V.

## TRANSITION NOISE

Figure 5 shows a histogram plot for the ADS7862 following 8,000 conversions of a DC input. The DC input was set at output code 2046. All but one of the conversions had an output code result of 2046 (one of the conversions resulted in an output of 2047). The histogram reveals the excellent noise performance of the ADS7862.

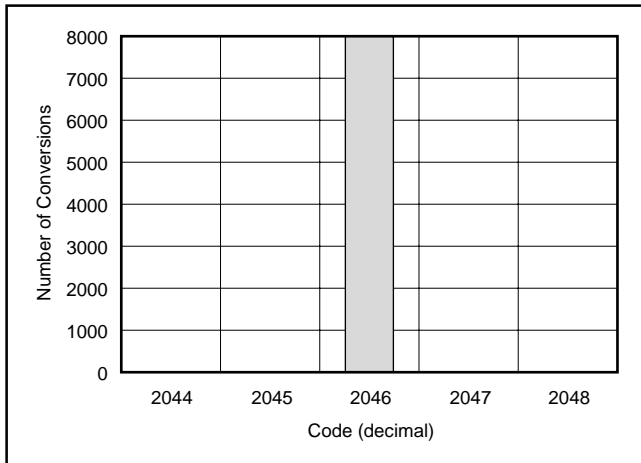


FIGURE 5. Histogram of 8,000 Conversions of a DC Input.

## BIPOLAR INPUTS

The differential inputs of the ADS7862 were designed to accept bipolar inputs ( $-V_{REF}$  and  $+V_{REF}$ ) around the internal reference voltage (2.5V), which corresponds to a 0V to 5V input range with a 2.5V reference. By using a simple op amp circuit featuring a single amplifier and four external resistors, the ADS7862 can be configured to accept bipolar inputs. The conventional  $\pm 2.5V$ ,  $\pm 5V$ , and  $\pm 10V$  input ranges can be interfaced to the ADS7862 using the resistor values shown in Figure 7.

## TIMING AND CONTROL

The ADS7862 uses an external clock (CLOCK, pin 19) which controls the conversion rate of the CDAC. With an 8MHz external clock, the A/D sampling rate is 500kHz which corresponds to a  $2\mu s$  maximum throughput time.

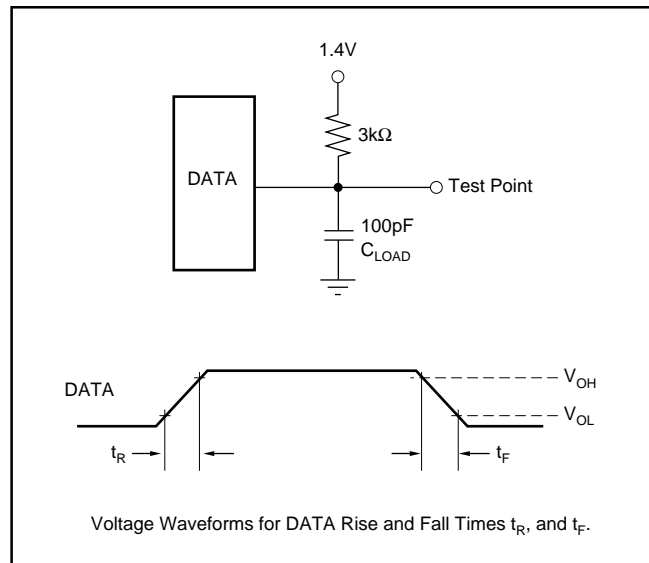


FIGURE 6. Test Circuits for Timing Specifications.

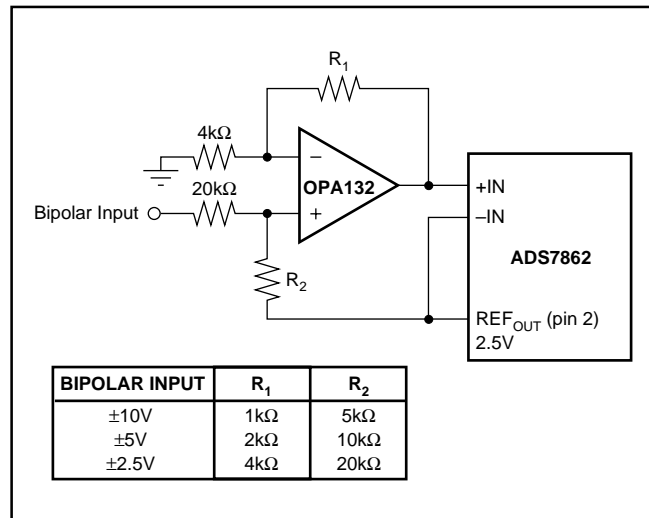


FIGURE 7. Level Shift Circuit for Bipolar Input Ranges.

Three timing diagrams are used to explain the operation of the ADS7862. Figure 8 shows the timing relationship between the CLOCK,  $\overline{CONVST}$  (pin 18) and the conversion

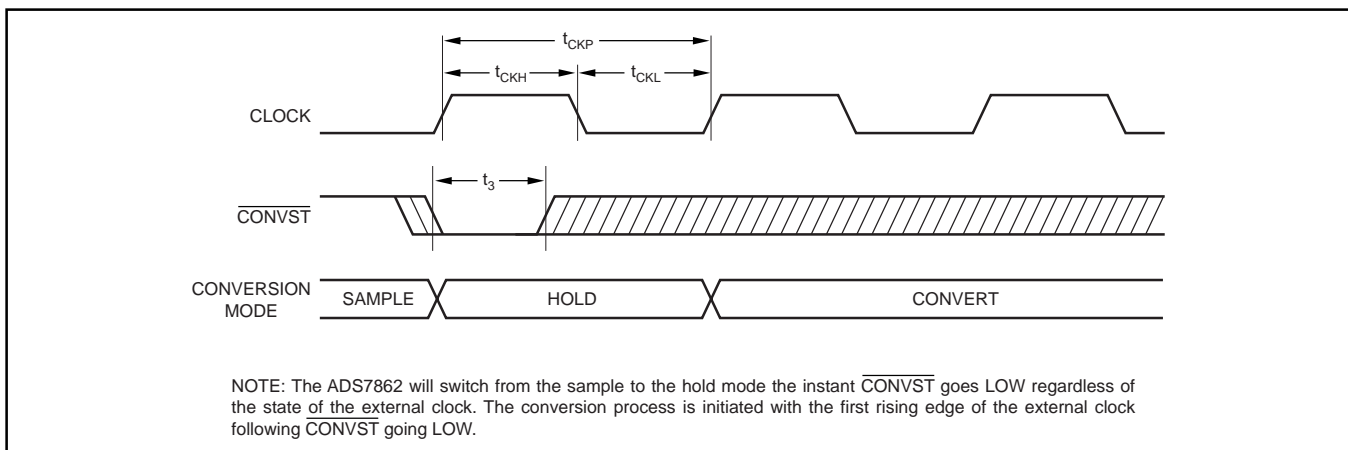


FIGURE 8. Conversion Mode.

mode. Figure 9, in conjunction with Table I, shows the basic read/write functions of the ADS7862 and highlights all of the timing specifications. Figure 10 shows a more detailed description of initiating a conversion using CONVST. Figure 11 illustrates three consecutive conversions and, with the accompanying text, describes all of the read and write capabilities of the ADS7862.

DESCRIPTION	ANALOG INPUT	DIGITAL OUTPUT BINARY TWO'S COMPLEMENT	
		BINARY CODE	HEX CODE
Full-Scale Input Span	$-V_{REF}$ to $+V_{REF}^{(1)}$		
Least Significant Bit (LSB)	$(-V_{REF}$ to $+V_{REF})/4096^{(2)}$		
+Full Scale	4.99878V	0111 1111 1111	7FF
Midscale	2.5V	0000 0000 0000	000
Midscale - 1 LSB	2.49878V	1111 1111 1111	FFF
-Full Scale	0V	1000 0000 0000	800

NOTES: (1)  $-V_{REF}$  to  $+V_{REF}$  around  $V_{REF}$ . With a 2.5V reference, this corresponds to a 0V to 5V input span. (2) 1.22mV with a 2.5V reference.

TABLE I. Ideal Input Voltages and Output Codes.

The Figure 11 timing diagram can be divided into three sections: (a) initiating a conversion ( $n - 2$ ), (b) starting a second conversion ( $n - 1$ ) while reading the data output from the previous conversion ( $n - 2$ ), and (c) starting a third conversion ( $n$ ) while reading both previous conversions ( $n - 2$  and  $n - 1$ ). In this sequence, Channel 0 is converted

first followed by Channel 1. Channel 1 can be converted prior to Channel 0 if the user wishes by simply starting the conversion process with the A0 pin at logic HIGH (Channel 1) followed by logic LOW (Channel 0).

## TIMING SPECIFICATIONS

SYMBOL	DESCRIPTION	MIN	TYP	MAX	UNITS
$t_{CONV}$	Conversion Time			1.75	$\mu$ s
$t_{ACQ}$	Acquisition Time			0.25	$\mu$ s
$t_{CKP}$	Clock Period	125		5000	ns
$t_{CKL}$	Clock LOW	40			ns
$t_{CKH}$	Clock HIGH	40			ns
$t_1$	$\overline{CS}$ to $\overline{RD}$ Setup Time	0			ns
$t_2$	$\overline{CS}$ to $\overline{RD}$ Hold Time	0			ns
$t_3$	$\overline{CONVST}$ LOW	15			ns
$t_4$	$\overline{RD}$ Pulse Width	30			ns
$t_5$	$\overline{RD}$ to Valid Data (Bus Access)		16	25	ns
$t_6$	$\overline{RD}$ to HI-Z Delay (Bus Relinquish)		10	20	ns
$t_7$	Time Between Conversion Reads	40			ns
$t_8$	Address Setup Time	250			ns
$t_9$	$\overline{CONVST}$ HIGH	20			ns
$t_{10}$	Address Hold Time	20			ns
$t_{11}$	$\overline{CONVST}$ to $\overline{BUSY}$ Propagation Delay			30	ns
$t_{12}$	$\overline{CONVST}$ LOW Prior to $\overline{CLOCK}$ Rising Edge	10			ns
$t_{13}$	$\overline{CONVST}$ LOW After $\overline{CLOCK}$ Rising Edge	5			ns
$t_F$	Data Fall Time		13	25	ns
$t_R$	Data Rise Time		20	30	ns

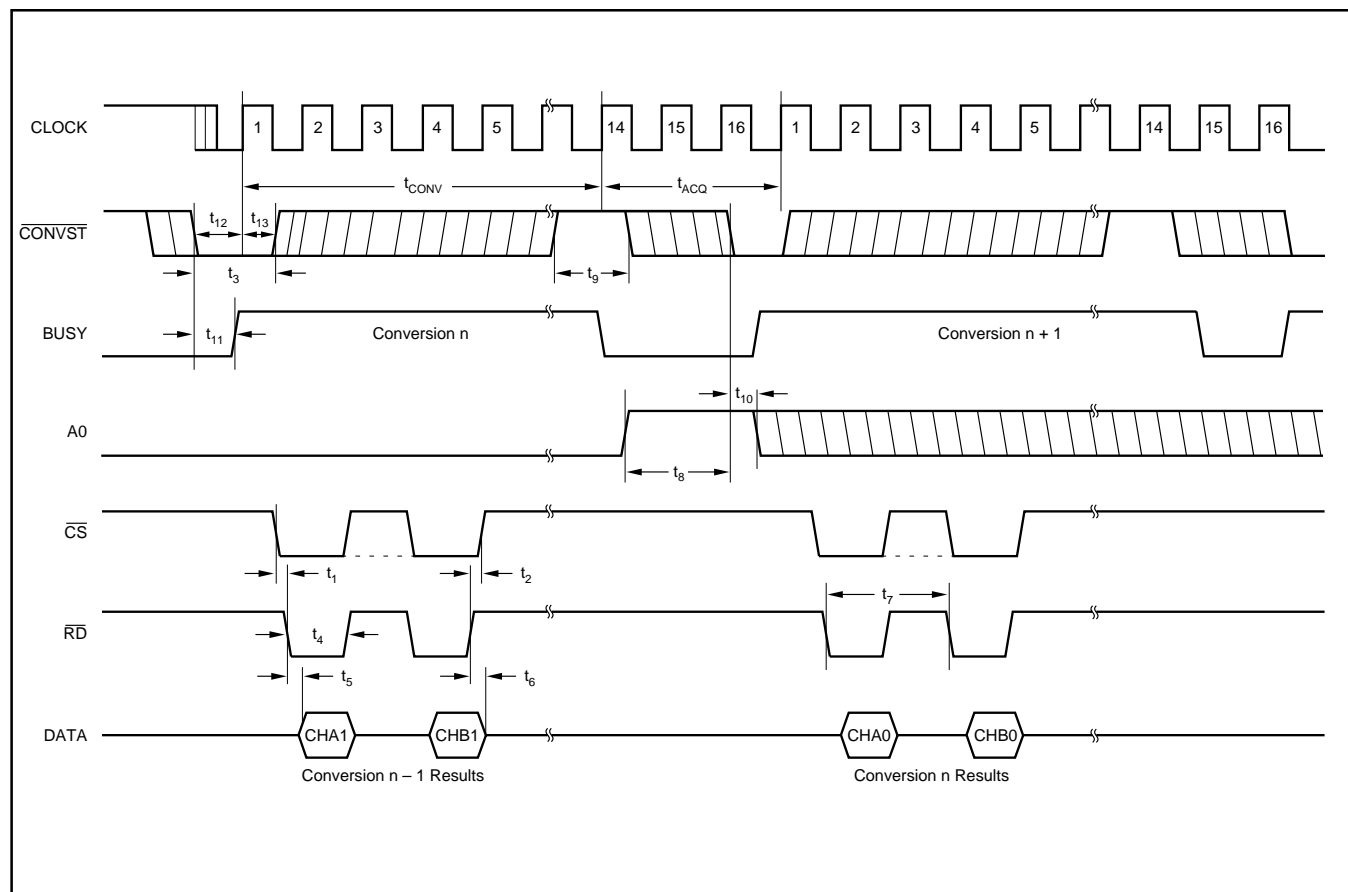
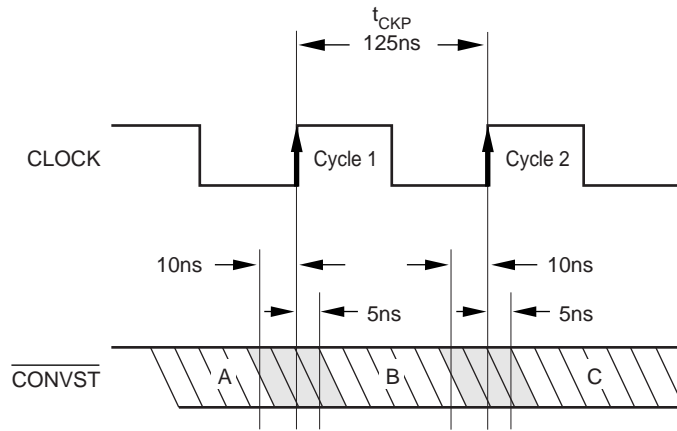


FIGURE 9. Reading and Writing to the ADS7862 During the Same Cycle.



NOTE: All  $\overline{\text{CONVST}}$  commands which occur more than 10ns before the rising edge of cycle '1' of the external clock (Region 'A') will initiate a conversion on the rising edge of cycle '1'. All  $\overline{\text{CONVST}}$  commands which occur 5ns after the rising edge of cycle '1' or 10ns before the rising edge of cycle '2' (Region 'B') will initiate a conversion on the rising edge of cycle '2'. All  $\overline{\text{CONVST}}$  commands which occur 5ns after the rising edge of cycle '2' (Region 'C') will initiate a conversion on the rising edge of the next clock period. The  $\overline{\text{CONVST}}$  pin should never be switched from HIGH to LOW in the region 10ns prior to the rising edge of the CLOCK and 5ns after the rising edge (gray areas). If  $\overline{\text{CONVST}}$  is toggled in this gray area, the conversion could begin on either the same rising edge of the CLOCK or the following edge.

FIGURE 10. Timing Between CLOCK and  $\overline{\text{CONVST}}$  to Start a Conversion.

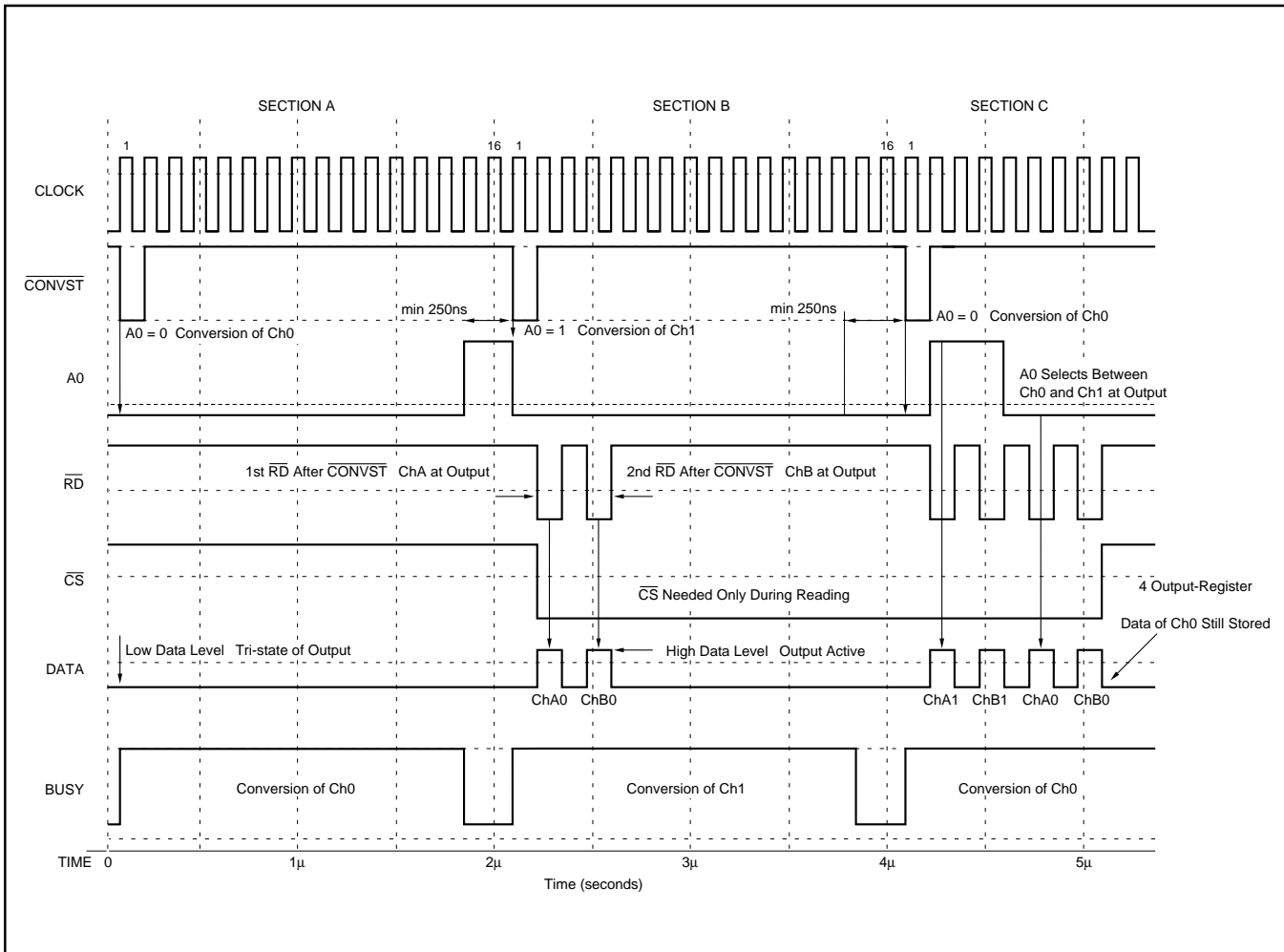


FIGURE 11. ADS7862 Timing Diagram Showing Complete Functionality.

## SECTION A

Conversions are initiated by bringing the  $\overline{\text{CONVST}}$  pin (pin 18) LOW for a minimum of 5ns (after the 5ns minimum requirement has been met, the  $\overline{\text{CONVST}}$  pin can be brought HIGH). The ADS7862 will switch from the sample to the hold mode on the falling edge of the  $\overline{\text{CONVST}}$  command. Following the first rising edge of the external clock after a  $\overline{\text{CONVST}}$  LOW, the ADS7862 will begin conversion (this first rising edge of the external clock represents the start of clock cycle one; the ADS7862 requires sixteen cycles to complete a conversion). The input channel is also latched in at this point in time. The A0 input (pin 22) must be selected 250ns prior to the  $\overline{\text{CONVST}}$  pin going LOW so that the correct address will be selected prior to conversion. The BUSY output will go HIGH immediately following  $\overline{\text{CONVST}}$  going LOW. BUSY will stay HIGH through the conversion process and return LOW when the conversion has ended. After  $\overline{\text{CONVST}}$  has remained LOW for the minimum time, the ADS7862 will switch from the hold mode to the conversion mode synchronous to the next rising edge of the external clock and conversion 'n - 2' will begin. Both  $\overline{\text{RD}}$  (pin 21) and  $\overline{\text{CS}}$  (pin 20) can be HIGH during and before a conversion. However, they must both be LOW to enable the output bus and read data out.

## SECTION B

The  $\overline{\text{CONVST}}$  pin is switched from HIGH to LOW a second time to initiate conversion 'n - 1'. Again, the address must be selected 250ns prior to  $\overline{\text{CONVST}}$  going LOW to ensure that the new address is selected for conversion. Both the  $\overline{\text{RD}}$  and  $\overline{\text{CS}}$  pins are brought LOW in order to enable the parallel output bus with the 'n - 2' conversion results of Channel A0. While continuing to hold  $\overline{\text{CS}}$  LOW,  $\overline{\text{RD}}$  is held LOW for a minimum of 30ns which enables the output bus with the Channel A0 results of conversion 'n - 2'. The  $\overline{\text{RD}}$  pin is toggled from HIGH to LOW a second time in order to enable the output bus with the Channel B0 results of conversion 'n - 2'.

## SECTION C

$\overline{\text{CONVST}}$  is brought LOW for a third time to initiate conversion 'n' (Channel 0). While the conversion is in process, the results for both conversions 'n - 2' and 'n - 1' can be read. The address pin is brought HIGH while  $\overline{\text{CS}}$  and  $\overline{\text{RD}}$  are brought LOW which enables the output bus with the Channel A1 results of conversion 'n - 1'. The  $\overline{\text{RD}}$  pin is toggled from HIGH to LOW for a second time in Section C and the 'n - 1' conversion results for Channel B1 appear at the output bus. The address pin (A0) is then brought LOW and the read process repeats itself with the most recent conversion results for Channel 0 (n - 2) appearing at the output bus.

## READING DATA

The ADS7862 outputs full parallel data in Binary Two's Complement data output format. The parallel output will be active when  $\overline{\text{CS}}$  (pin 20) and  $\overline{\text{RD}}$  (pin 21) are both LOW. The

output data should not be read 125ns prior to the falling edge of  $\overline{\text{CONVST}}$  and 10ns after the falling edge. Any other combination of  $\overline{\text{CS}}$  and  $\overline{\text{RD}}$  will tri-state the parallel output. Valid conversion data can be read on pins 5 through 16 (MSB–LSB). Refer to Table I for ideal output codes.

In applications where multiple devices are present on the data bus, care should be taken to ensure that the signal applied to  $\overline{\text{RD}}$  (pin 21) is toggled only when the target device is properly chip-selected. Toggling the  $\overline{\text{RD}}$  pin will advance the internal read pointer regardless of the state of the chip select, causing the output data to appear channel-swapped. If multiple devices share a single read enable from the host processor, the signal may be ORed with an address-decoded chip select to ensure channel data integrity. For more information, refer to Application Report SBAA138, *Reading Data from the ADS7862*, available for download from the TI website at [www.ti.com](http://www.ti.com).

## LAYOUT

For optimum performance, care should be taken with the physical layout of the ADS7862 circuitry. This is particularly true if the CLOCK input is approaching the maximum throughput rate.

The basic SAR architecture is sensitive to glitches or sudden changes on the power supply, reference, ground connections and digital inputs that occur just prior to latching the output of the analog comparator. Thus, driving any single conversion for an n-bit SAR converter, there are n "windows" in which large external transient voltages can affect the conversion result. Such glitches might originate from switching power supplies, nearby digital logic or high power devices. The degree of error in the digital output depends on the reference voltage, layout, and the exact timing of the external event. This error can change if the external event changes in time with respect to the CLOCK input.

With this in mind, power to the ADS7862 should be clean and well bypassed. A 0.1 $\mu\text{F}$  ceramic bypass capacitor should be placed as close to the device as possible. In addition, a 1 $\mu\text{F}$  to 10 $\mu\text{F}$  capacitor is recommended. If needed, an even larger capacitor and a 5 $\Omega$  or 10 $\Omega$  series resistor may be used to low-pass filter a noisy supply. On average, the ADS7862 draws very little current from an external reference as the reference voltage is internally buffered. If the reference voltage is external and originates from an op amp, make sure that it can drive the bypass capacitor or capacitors without oscillation. A bypass capacitor is not necessary when using the internal reference (tie pin 1 directly to pin 2).

The AGND and DGND pins should be connected to a clean ground point. In all cases, this should be the 'analog' ground. Avoid connections which are too close to the grounding point of a microcontroller or digital signal processor. If required, run a ground trace directly from the converter to the power supply entry point. The ideal layout will include an analog ground plane dedicated to the converter and associated analog circuitry.

**PACKAGING INFORMATION**

Orderable Device	Status <sup>(1)</sup>	Package Type	Package Drawing	Pins	Package Qty	Eco Plan <sup>(2)</sup>	Lead/Ball Finish	MSL Peak Temp <sup>(3)</sup>
ADS7862Y/250	ACTIVE	TQFP	PBS	32	250	Green (RoHS & no Sb/Br)	CU NIPDAU	Level-3-260C-168 HR
ADS7862Y/250G4	ACTIVE	TQFP	PBS	32	250	Green (RoHS & no Sb/Br)	CU NIPDAU	Level-3-260C-168 HR
ADS7862Y/2K	ACTIVE	TQFP	PBS	32	2000	Green (RoHS & no Sb/Br)	CU NIPDAU	Level-3-260C-168 HR
ADS7862Y/2KG4	ACTIVE	TQFP	PBS	32	2000	Green (RoHS & no Sb/Br)	CU NIPDAU	Level-3-260C-168 HR
ADS7862YB/250	ACTIVE	TQFP	PBS	32	250	Green (RoHS & no Sb/Br)	CU NIPDAU	Level-3-260C-168 HR
ADS7862YB/250G4	ACTIVE	TQFP	PBS	32	250	Green (RoHS & no Sb/Br)	CU NIPDAU	Level-3-260C-168 HR
ADS7862YB/2K	ACTIVE	TQFP	PBS	32	2000	Green (RoHS & no Sb/Br)	CU NIPDAU	Level-3-260C-168 HR
ADS7862YB/2KG4	ACTIVE	TQFP	PBS	32	2000	Green (RoHS & no Sb/Br)	CU NIPDAU	Level-3-260C-168 HR

<sup>(1)</sup> The marketing status values are defined as follows:

**ACTIVE:** Product device recommended for new designs.

**LIFEBUY:** TI has announced that the device will be discontinued, and a lifetime-buy period is in effect.

**NRND:** Not recommended for new designs. Device is in production to support existing customers, but TI does not recommend using this part in a new design.

**PREVIEW:** Device has been announced but is not in production. Samples may or may not be available.

**OBSOLETE:** TI has discontinued the production of the device.

<sup>(2)</sup> Eco Plan - The planned eco-friendly classification: Pb-Free (RoHS), Pb-Free (RoHS Exempt), or Green (RoHS & no Sb/Br) - please check <http://www.ti.com/productcontent> for the latest availability information and additional product content details.

**TBD:** The Pb-Free/Green conversion plan has not been defined.

**Pb-Free (RoHS):** TI's terms "Lead-Free" or "Pb-Free" mean semiconductor products that are compatible with the current RoHS requirements for all 6 substances, including the requirement that lead not exceed 0.1% by weight in homogeneous materials. Where designed to be soldered at high temperatures, TI Pb-Free products are suitable for use in specified lead-free processes.

**Pb-Free (RoHS Exempt):** This component has a RoHS exemption for either 1) lead-based flip-chip solder bumps used between the die and package, or 2) lead-based die adhesive used between the die and leadframe. The component is otherwise considered Pb-Free (RoHS compatible) as defined above.

**Green (RoHS & no Sb/Br):** TI defines "Green" to mean Pb-Free (RoHS compatible), and free of Bromine (Br) and Antimony (Sb) based flame retardants (Br or Sb do not exceed 0.1% by weight in homogeneous material)

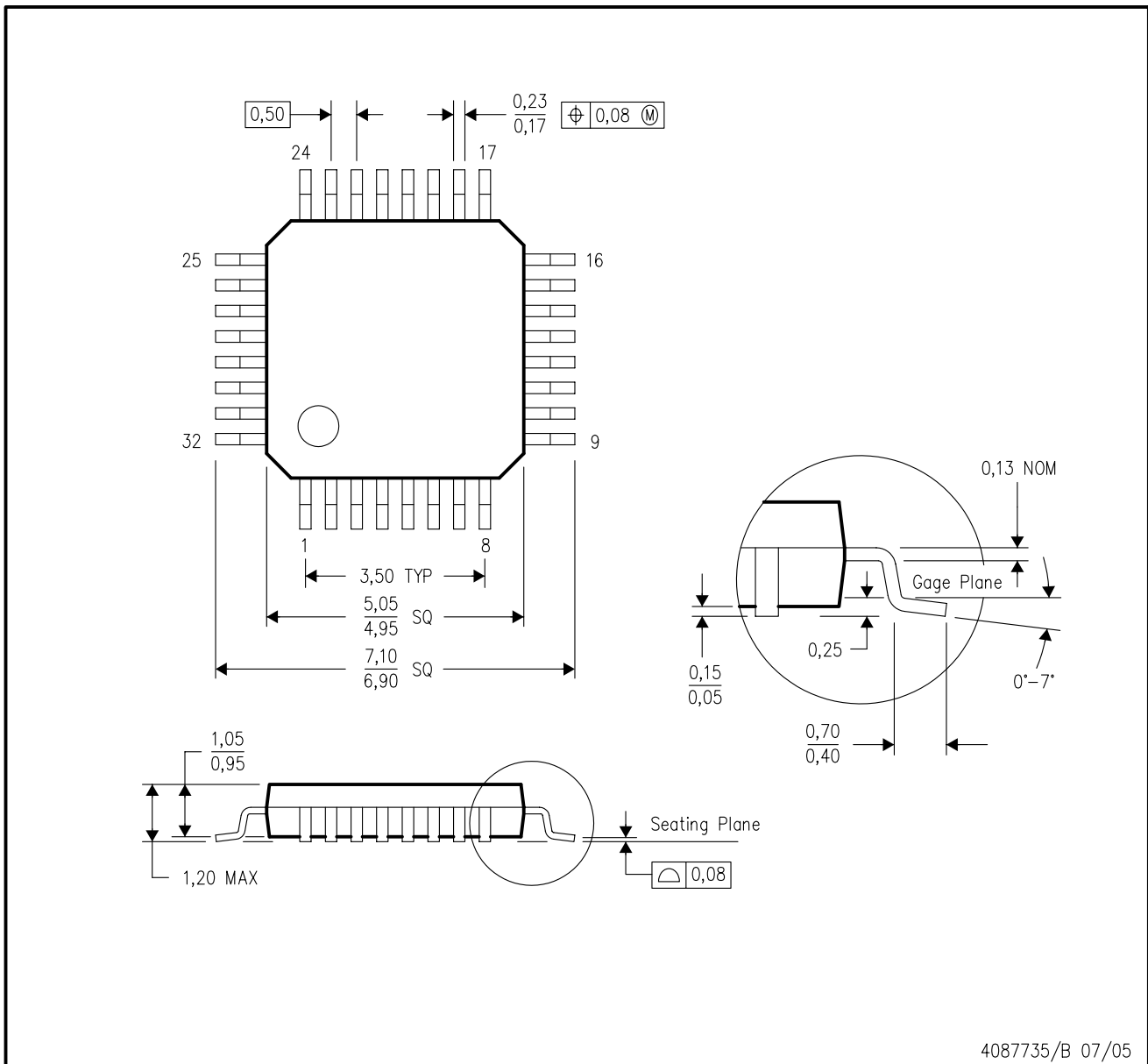
<sup>(3)</sup> MSL, Peak Temp. -- The Moisture Sensitivity Level rating according to the JEDEC industry standard classifications, and peak solder temperature.

**Important Information and Disclaimer:**The information provided on this page represents TI's knowledge and belief as of the date that it is provided. TI bases its knowledge and belief on information provided by third parties, and makes no representation or warranty as to the accuracy of such information. Efforts are underway to better integrate information from third parties. TI has taken and continues to take reasonable steps to provide representative and accurate information but may not have conducted destructive testing or chemical analysis on incoming materials and chemicals. TI and TI suppliers consider certain information to be proprietary, and thus CAS numbers and other limited information may not be available for release.

In no event shall TI's liability arising out of such information exceed the total purchase price of the TI part(s) at issue in this document sold by TI to Customer on an annual basis.

PBS (S-PQFP-G32)

PLASTIC QUAD FLATPACK



- NOTES:
- A. All linear dimensions are in millimeters.
  - B. This drawing is subject to change without notice.

## IMPORTANT NOTICE

Texas Instruments Incorporated and its subsidiaries (TI) reserve the right to make corrections, modifications, enhancements, improvements, and other changes to its products and services at any time and to discontinue any product or service without notice. Customers should obtain the latest relevant information before placing orders and should verify that such information is current and complete. All products are sold subject to TI's terms and conditions of sale supplied at the time of order acknowledgment.

TI warrants performance of its hardware products to the specifications applicable at the time of sale in accordance with TI's standard warranty. Testing and other quality control techniques are used to the extent TI deems necessary to support this warranty. Except where mandated by government requirements, testing of all parameters of each product is not necessarily performed.

TI assumes no liability for applications assistance or customer product design. Customers are responsible for their products and applications using TI components. To minimize the risks associated with customer products and applications, customers should provide adequate design and operating safeguards.

TI does not warrant or represent that any license, either express or implied, is granted under any TI patent right, copyright, mask work right, or other TI intellectual property right relating to any combination, machine, or process in which TI products or services are used. Information published by TI regarding third-party products or services does not constitute a license from TI to use such products or services or a warranty or endorsement thereof. Use of such information may require a license from a third party under the patents or other intellectual property of the third party, or a license from TI under the patents or other intellectual property of TI.

Reproduction of information in TI data books or data sheets is permissible only if reproduction is without alteration and is accompanied by all associated warranties, conditions, limitations, and notices. Reproduction of this information with alteration is an unfair and deceptive business practice. TI is not responsible or liable for such altered documentation.

Resale of TI products or services with statements different from or beyond the parameters stated by TI for that product or service voids all express and any implied warranties for the associated TI product or service and is an unfair and deceptive business practice. TI is not responsible or liable for any such statements.

Following are URLs where you can obtain information on other Texas Instruments products and application solutions:

### Products

Amplifiers	<a href="http://amplifier.ti.com">amplifier.ti.com</a>
Data Converters	<a href="http://dataconverter.ti.com">dataconverter.ti.com</a>
DSP	<a href="http://dsp.ti.com">dsp.ti.com</a>
Interface	<a href="http://interface.ti.com">interface.ti.com</a>
Logic	<a href="http://logic.ti.com">logic.ti.com</a>
Power Mgmt	<a href="http://power.ti.com">power.ti.com</a>
Microcontrollers	<a href="http://microcontroller.ti.com">microcontroller.ti.com</a>
Low Power Wireless	<a href="http://www.ti.com/lpw">www.ti.com/lpw</a>

### Applications

Audio	<a href="http://www.ti.com/audio">www.ti.com/audio</a>
Automotive	<a href="http://www.ti.com/automotive">www.ti.com/automotive</a>
Broadband	<a href="http://www.ti.com/broadband">www.ti.com/broadband</a>
Digital Control	<a href="http://www.ti.com/digitalcontrol">www.ti.com/digitalcontrol</a>
Military	<a href="http://www.ti.com/military">www.ti.com/military</a>
Optical Networking	<a href="http://www.ti.com/opticalnetwork">www.ti.com/opticalnetwork</a>
Security	<a href="http://www.ti.com/security">www.ti.com/security</a>
Telephony	<a href="http://www.ti.com/telephony">www.ti.com/telephony</a>
Video & Imaging	<a href="http://www.ti.com/video">www.ti.com/video</a>
Wireless	<a href="http://www.ti.com/wireless">www.ti.com/wireless</a>

Mailing Address: Texas Instruments  
Post Office Box 655303 Dallas, Texas 75265