

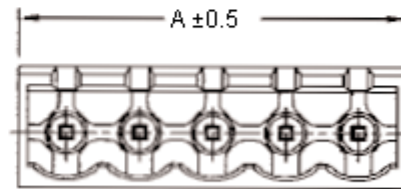
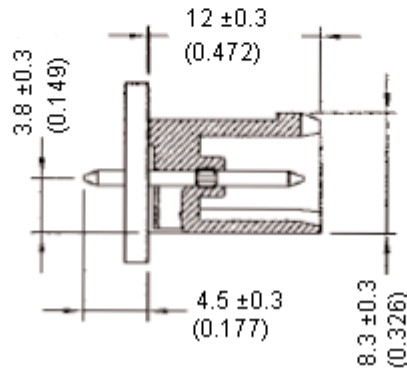
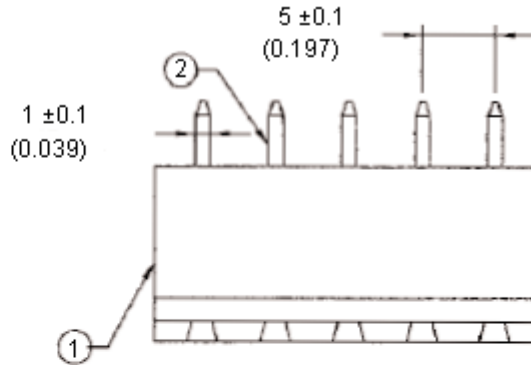
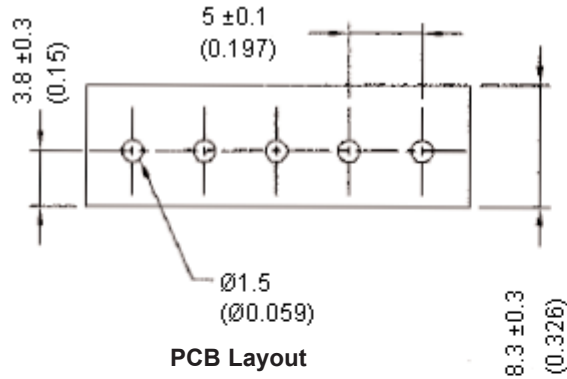


PART NO.

MC00016 - Series

REVISIONS

ECN #	REV	DESCRIPTION	DRAWN	DATE	CHECKD	DATE	APPRVD	DATE
-	A	RELEASED	Shashi	10/10/11	Veena	10/10/11		24/10/11



Dimensions : Millimetres (Inches)

Specifications:

Rating current	: 16 amperes, 300 V ac
Minimum insulation withstand voltage	: 2,000 V ac
Insulation resistance	: > 2,000 MΩ 500 V dc
Operating temperature	: -40°C to +105°C

Important Notice : This data sheet and its contents (the "Information") belong to the members of the Premier Farnell group of companies (the "Group") or are licensed to it. No licence is granted for the use of it other than for information purposes in connection with the products to which it relates. No licence of any intellectual property rights is granted. The Information is subject to change without notice and replaces all data sheets previously supplied. The Information supplied is believed to be accurate but the Group assumes no responsibility for its accuracy or completeness, any error in or omission from it or for any use made of it. Users of this data sheet should check for themselves the information and the suitability of the products for their purpose and not make any assumptions based on information included or omitted. Liability for loss or damage resulting from any reliance on the Information or use of it (including liability resulting from negligence or where the Group was aware of the possibility of such loss or damage arising) is excluded. This will not operate to limit or restrict the Group's liability for death or personal injury resulting from its negligence. Multicomp is the registered trademark of the Group. © Premier Farnell plc 2011.

TOLERANCES:

UNLESS OTHERWISE SPECIFIED, DIMENSIONS ARE FOR REFERENCE PURPOSES ONLY.

DRAWN BY:	DATE:
Shashi	10/10/11
CHECKED BY:	DATE:
Veena	10/10/11
APPROVED BY:	DATE:
	24/10/11

DRAWING TITLE:

5 mm Pluggable - Vertical Header

SIZE	DWG NO.	ELECTRONIC FILE	REV
A	M10002767	ME040-500xx_DWG	A
SCALE: NTS	U.O.M.: mm (Inches)	SHEET: 1 OF 2	



PART NO.

MC00016 - Series

REVISIONS

ECN #	REV	DESCRIPTION	DRAWN	DATE	CHECKD	DATE	APPRVD	DATE
-	A	RELEASED	Shashi	10/10/11	Veena	10/10/11		24/10/11

Specification Table

Item No	Material	Plating / Finish	Remark
1	Insulating Body Polyamide 66	-	Green
2	Solder Pin Brass	Tin Plated	-

DimensionsTable

Pitch : 5 mm (0.197 inch)		
Poles	A (mm)	A (Inch)
2	11.6	0.457
3	16.6	0.654
4	21.6	0.85
5	26.6	1.047
6	31.6	1.244
8	41.6	1.638
10	51.6	2.031
12	61.6	2.425

Part Number Table

Description	Part Number
Header 5 mm Vertical 16A 02 Way	MC000160
Header 5 mm Vertical 16A 03 Way	MC000161
Header 5 mm Vertical 16A 04 Way	MC000162
Header 5 mm Vertical 16A 05 Way	MC000163
Header 5 mm Vertical 16A 06 Way	MC000164
Header 5 mm Vertical 16A 08 Way	MC000165
Header 5 mm Vertical 16A 10 Way	MC000166
Header 5 mm Vertical 16A 12 Way	MC000167

www.element14.com
www.farnell.com
www.newark.com

Important Notice : This data sheet and its contents (the "Information") belong to the members of the Premier Farnell group of companies (the "Group") or are licensed to it. No licence is granted for the use of it other than for information purposes in connection with the products to which it relates. No licence of any intellectual property rights is granted. The Information is subject to change without notice and replaces all data sheets previously supplied. The Information supplied is believed to be accurate but the Group assumes no responsibility for its accuracy or completeness, any error in or omission from it or for any use made of it. Users of this data sheet should check for themselves the information and the suitability of the products for their purpose and not make any assumptions based on information included or omitted. Liability for loss or damage resulting from any reliance on the Information or use of it (including liability resulting from negligence or where the Group was aware of the possibility of such loss or damage arising) is excluded. This will not operate to limit or restrict the Group's liability for death or personal injury resulting from its negligence. Multicomp is the registered trademark of the Group. © Premier Farnell plc 2011.

TOLERANCES: UNLESS OTHERWISE SPECIFIED, DIMENSIONS ARE FOR REFERENCE PURPOSES ONLY.	DRAWN BY:	DATE:	DRAWING TITLE: 5 mm Pluggable - Vertical Header			
	Shashi	10/10/11				
	CHECKED BY:	DATE:	SIZE A	DWG NO. M10002767	ELECTRONIC FILE ME040-500xx_DWG	REV A
	Veena	10/10/11				
APPROVED BY:	DATE:	SCALE: NTS		U.O.M.: mm (Inches)		SHEET: 2 OF 2
	24/10/11					