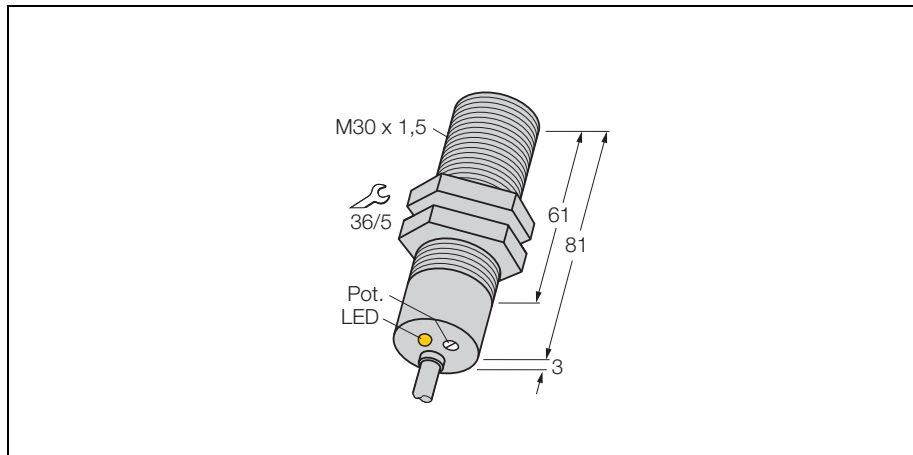


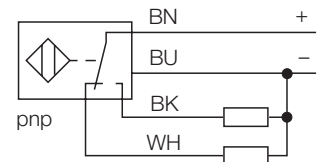
Capacitive sensor

BC10-M30-VP4X



- threaded barrel, M30 x 1,5
- chrome-plated brass
- fine adjustment via potentiometer
- 4-wire DC, 10...65 VDC
- SPDT, pnp output
- cable connection

Wiring diagram



Function principles

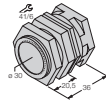
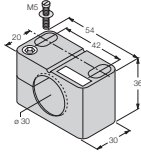
Capacitive proximity switches are designed for non-contact and wear-free detection of metal (electrically conductive) and non-metal (electrically non-conductive) objects.

Type	BC10-M30-VP4X
Ident-No.	25020
Rated operating distance Sn	10 mm, flush mounting
Rated operating distance Sn	10 mm, non-flush mounting
Hysteresis (switching distance)	2... 20 %
Temperature drift	≤ ± 20 %
Min. repeat accuracy	≤ 2 %
Operating temperature	-25 ...+ 70 °C
Rated operational voltage (DC) U_B	10... 65 VDC
Max. ripple	≤ 10 % U _{pp}
Rated operational current (DC) I _e	≤ 200 mA
No-load current I ₀	≤ 15 mA
Max. OFF-state current	≤ 0,1 mA
Max. switching frequency	≤ 0,1 kHz
Rated insulation voltage	≤ 0,5 kV
Output function	4-wire, complementary, PNP
Short-circuit protection	yes, cyclic
Max. voltage drop at I _e	≤ 1,8 V
Wire breakage / reverse polarity protection	yes / complete
Housing style	threaded barrel; M30 x 1,5
Dimensions	81 mm
Housing material	metal, CuZn, chrome-plated
Active face	plastic, PA12-GF30
Max. fixing torque of coupling nut	25 Nm
Wiring	cable
Cable	Ø 5,2, LifYY, PVC, 2 m
Cable cross section	4 x 0,34 mm ²
Vibration resistance	55 Hz (1 mm)
Shock resistance	30 x g (11 ms)
Degree of protection	IP67
Switching status indication	LED yellow

Capacitive sensor

BC10-M30-VP4X

Accessories

Typ	Ident-No.	Description	Dimension drawing
QM-30	6945103	quick-mount fixing clamp with dead-stop; material: chrome-plated brass external thread M36 x 1,5.	
BST-30B	6947216	fixing clamp with dead-stop; material: PA6	
MAP-M30	6950013	mounting adapter; material: Polypropylen; sensor replacement with filled container possible (adapter remains in container during sensor replacement)	