

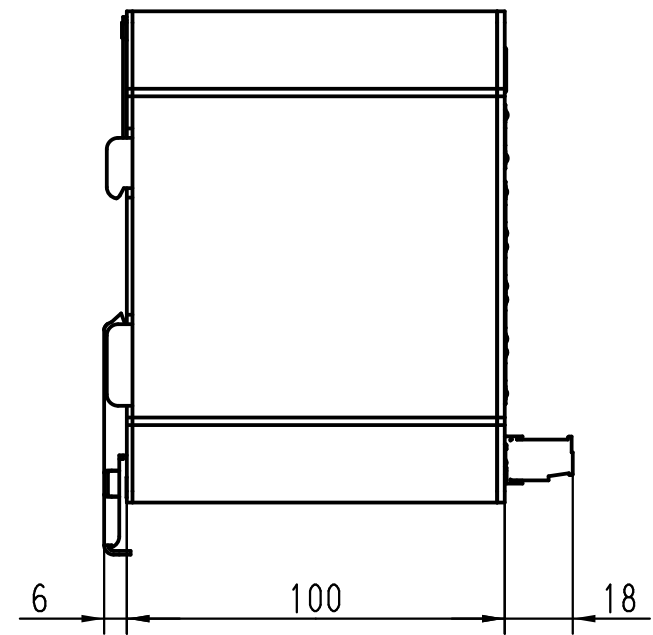
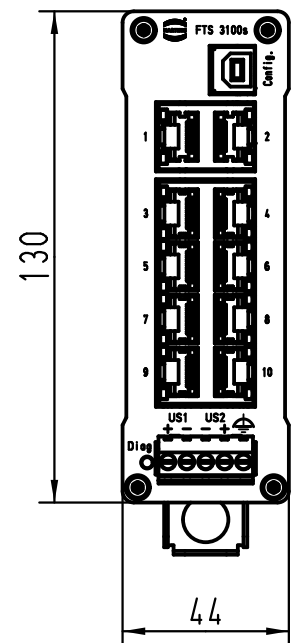
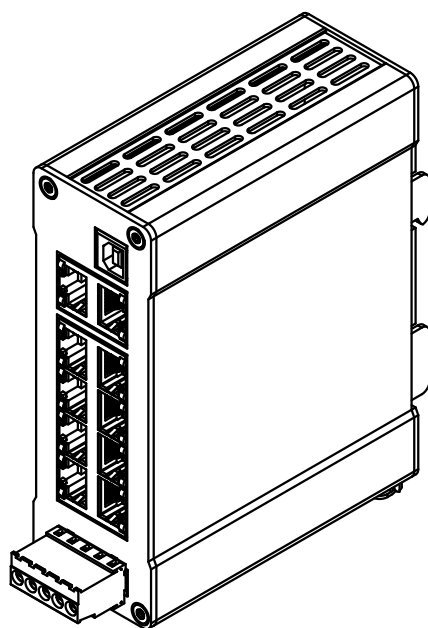
1 2 3 4 5 6

A

B

C

D



für Hutschiene nach DIN EN 60715/
for mounting rail acc. to DIN EN 60715

| | | | | | | |
|---|----------|-------------------|--------------------------------|------|---|---|
| All Dimensions in mm Original Size DIN A 4 | | Techn. Character. | | | Nicht tolerierte Maßel/Free size tolerances | |
| | | | Dat. | Name | Maßstab/Scale 1:2 | FTS 3100s-A Ethernet Switch, TP10 |
| | | Detail. | 01.04.10 | Ho | | |
| | | Insp. | | Loe. | | |
| C | 01.02.12 | Ij | Stand. | | | |
| B | 05.10.11 | Ij | HARTING Electric GmbH & Co. KG | | TB 20 78 110 1000 | Blatt/ page |
| A | | | D-32339 Espelkamp | | | |
| Mod. | Dat. | Name | | | Sub. | |