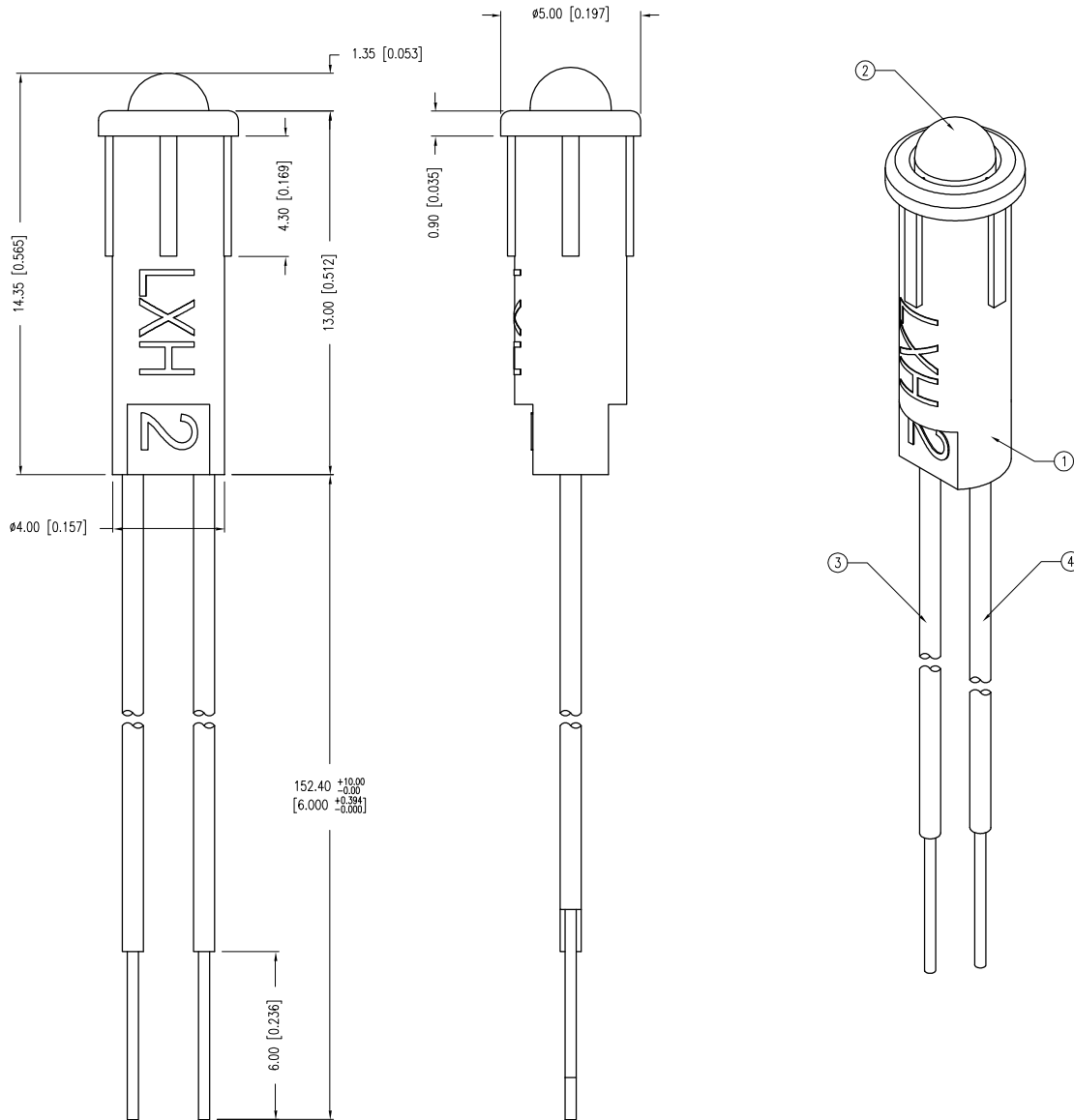


| | | | |
|-------------|-------------------------------------|------|------|
| PART NUMBER | SSI-LXH312GD-150 | REV. | D |
| DATE | E.C.N. NUMBER AND REVISION COMMENTS | | REV. |
| 10.05.92 | E.C.N. #10BRDR. & REDRAWN. | | A |
| 05.08.95 | E.C.N. #10BRDR. & REDRAWN. | | B |
| 06.05.96 | E.C.N. #10BRDR. & REDRAWN. | | C |
| 07.12.01 | E.C.N. #10BRDR. & REDRAWN. | | D |



| ELECTRO-OPTICAL CHARACTERISTICS $T_A=25^\circ\text{C}$ $I_f=20\text{mA}$ | | | | | |
|--|----------------|-----|-----|----------|----------------------|
| PARAMETER | MIN | TYP | MAX | UNITS | TEST COND |
| PEAK WAVELENGTH | | 565 | | nm | |
| FORWARD VOLTAGE | | 2.1 | 2.6 | V_f | |
| REVERSE VOLTAGE | 5.0 | | | V_r | $I_f=100\mu\text{A}$ |
| AXIAL INTENSITY | | 30 | | mcd | $I_f=20\text{mA}$ |
| VIEWING ANGLE | | 60 | | 2x theta | |
| EMITTED COLOR: | GREEN | | | | |
| EPOXY LENS FINISH: | GREEN DIFFUSED | | | | |

| LIMITS OF SAFE OPERATION AT 25°C | | |
|----------------------------------|------------|------------|
| PARAMETER | MAX | UNITS |
| PEAK FORWARD CURRENT* | 150 | mA |
| STEADY CURRENT | 25 | mA |
| POWER DISSIPATION | 105 | mW |
| DERATE FROM 25°C | -1.2 | mW/°C |
| OPERATING TEMP. | -40 TO +85 | °C |
| STORAGE TEMP. | -40 TO +85 | °C |
| SOLDERING TEMP. | +260 | °C |
| 2.0mm FROM BODY | | 3 SEC. MAX |

* $t < 10\mu\text{s}$

NOTES:

- SSH-LXH3121 HOLDER, BLACK NYLON 94-V.
- SSL-LX3044GD LED, LEADS CUT TO 5mm.
- ANODE LEAD: LXP-WST26RDT0C, RED INSULATED LEAD, 26 AWG, CUT 158mm LONG, STRIP 3.0mm & 6.0mm.
- CATHODE LEAD: LXP-WST26BLT0C, BLACK INSULATED LEAD, 26 AWG, CUT 158mm LONG, STRIP 3.0mm & 6.0mm.
- MOUNTING HOLE: $\phi 0.170'' - \phi 0.174''$

*UNLESS OTHERWISE SPECIFIED TOLERANCES PER DECIMAL PRECISION ARE: X=±1 (±0.039), X.X=±0.5 (±0.020), X.XX=±0.25 (±0.010), X.XXX=±0.127 (±0.005). LEAD SIZE=±0.05 (±0.002), LEAD LENGTH=±0.75 (±0.030). MIN= +DECIMAL PRECISION MAX= +0.00 -DECIMAL PRECISION UNCONTROLLED DOCUMENT



290 E. HELEN ROAD
PALATINE, IL 60067-6976
PHONE: +1.847.359.2790
FAX: +1.847.359.6538
WEB: WWW.LUMEX.COM

T-3mm LED BLACK PANEL INDICATOR WITH 6" WIRE LEADS, 565nm GREEN LED, GREEN DIFFUSED LENS.

THE SPECIFICATIONS MAY CHANGE AT ANY TIME WITHOUT NOTICE DUE TO NEW MATERIALS OR PRODUCT IMPROVEMENT.

CONFIDENTIAL INFORMATION
THE INFORMATION CONTAINED IN THIS DOCUMENT IS THE PROPERTY OF LUMEX INC. EXCEPT AS SPECIFICALLY AUTHORIZED IN WRITING BY LUMEX INC., THE HOLDER OF THIS DOCUMENT SHALL KEEP ALL INFORMATION CONTAINED HEREIN CONFIDENTIAL AND SHALL PROTECT SAME IN WHOLE OR IN PART FROM DISCLOSURE AND DISSEMINATION TO ALL THIRD PARTIES.

| | | | |
|--------|-----------|-----------|-----|
| DATE: | 08.23.92 | DRAWN BY: | CT |
| PAGE: | 1 OF 1 | CHKD BY: | -- |
| SCALE: | NTS | APRVD BY: | -- |
| UNIT: | mm [INCH] | | (R) |