



TW2015 Embedded GPS L1 Antenna

The TW2015 by Tallysman Wireless is a professional grade, embedded GPS L1 antenna, specially designed for industrial, agricultural and military precision positioning and timing applications.

The TW2015 features a high performance custom tuned ceramic patch element, 15 KV ESD circuit protection, a high gain two-stage low noise amplifier (LNA) with a mid section high rejection SAW filter. It covers the GPS L1 and SBAS (WAAS/EGNOS/MSAS) frequency band (1572.5 to 1578 MHz), and it offers great circular polarized signal reception, multipath rejection and out of band signal rejection.

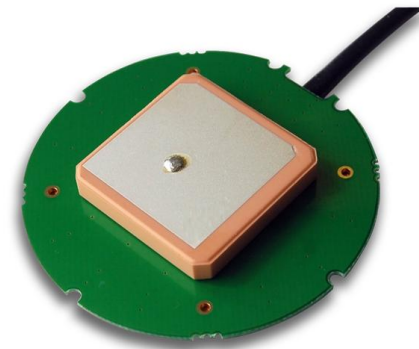
The TW2015 comes in a compact circular form factor with a built-in 50 mm diameter ground plane, and with a 15 cm RG174 cable.

Applications

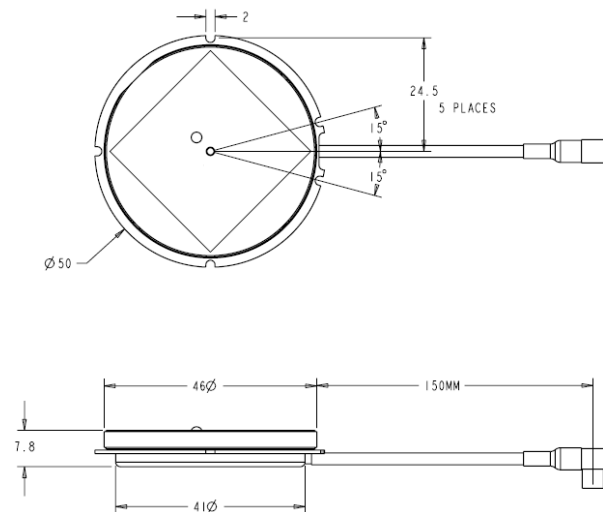
- High Accuracy & Mission Critical GPS
- Precision Agriculture, Mining & Construction
- Military & Security
- Avionics
- Law Enforcement & Public Safety
- Fleet Management & Asset Tracking

Features

- Very low noise LNA: 1 dB
- Great axial ratio: <4dB at Zenith
- High rejection SAW filter
- High gain: 28 dB typ.
- Low current: 10 mA typ.
- ESD circuit protection: 15 KV
- Wide voltage input range: +3.0 to 10 VDC



TW2015 Dimensions (mm)



Benefits

- Great multipath rejection
- Increase system accuracy
- Excellent signal to noise ratio
- Great out of band signal rejection
- Compact form factor
- RoHS compliant



TW2015 Embedded GPS L1 Antenna

Specifications

Vcc = 3V, over full bandwidth, T=25°C

Antenna

Architecture	Custom single-feed ceramic patch
Antenna Gain (100mm ground plane)	3 dBic at 90°
Axial Ratio (over full bandwidth)	4 dB at 90°, 6dB at 20°

Electrical

Architecture	Input LNA, mid section SAW filter, output LNA
Frequency Bandwidth	1572.5 to 1578 MHz
Polarization	RHCP
Gain	28 dB min. at 90° (at 1575.42 MHz)
Out-of-Band Rejection	<1560 MHz >42 dB >1600 MHz >31 dB >1620 MHz >45 dB
VSWR (at LNA input)	<1.5:1
Noise Figure	1 dB typ.
Supply Voltage Range	+3.0 to 10 VDC nominal
Supply Current	10 mA typ.
ESD Circuit protection	15 KV air discharge

Mechanicals & Environmental

Mechanical Size	50 mm dia. x 7.8 mm H
Connectors	Male, SMA straight, MCX right angle or MMCX right angle, other connectors optional
Cable	RG174 / 15 cm, custom lengths optional
Operating Temp. Range	-40 to +85 °C
Weight	100 g
Attachment Method	Adhesive or screw mount
Environmental	RoHS compliant
Shock	Vertical axis: 50 G, other axes: 30 G
Vibration	3 axis, sweep = 15 min, 10 to 200 Hz sweep: 3 G
Warranty	One year – parts and labour

Ordering Information

TW2015 – GPS L1 antenna, 5 metre cable, SMA Male	32-2015-0
TW2015 – GPS L1 antenna, 5 metre cable, TNC Male	32-2015-1
TW2015 – GPS L1 antenna, 5 metre cable, MCX Male	32-2015-2

Please contact Tallysman Wireless for additional information

Tallysman Wireless Inc

106 Schneider Road, Unit 3
Ottawa ON K2K 1Y2 Canada
Tel 613 591 3131
Fax 613 591 3121
sales@tallysman.com

The information provided herein is intended as a guide only and is subject to change without notice. This document is not to be regarded as a guarantee of performance. Tallysman Wireless Inc. hereby disclaims any or all warranties and liabilities of any kind. © 2010 Tallysman Wireless Inc. All rights reserved.

Doc # 60-0046-0

Rev 2.0