

PART No MATRIX

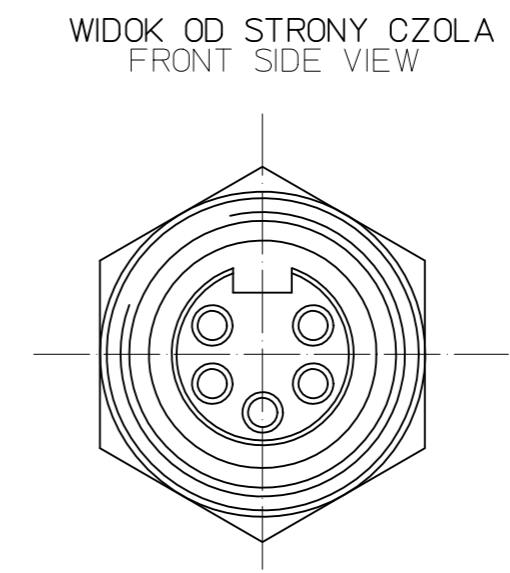
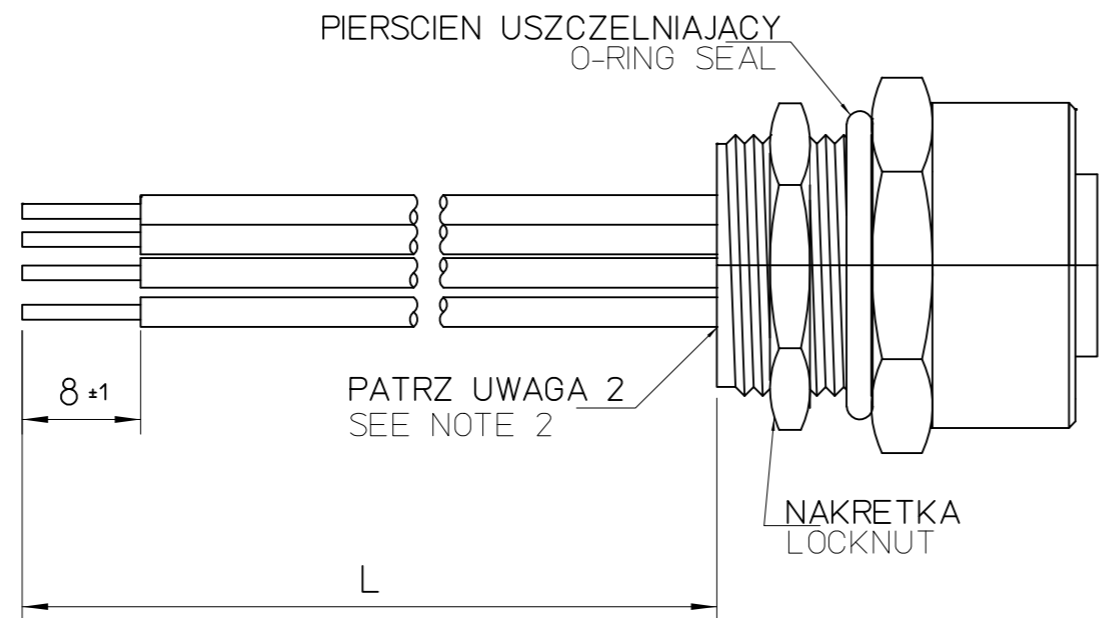
1	R	X	D	3	0	X	X	X	X	X	X	X
---	---	---	---	---	---	---	---	---	---	---	---	---

1=A Size Mini
R=Receptacle
3=3 Pin
4=4 Pin
5=5 Pin
6=6 Pin
D30 = Female/Female PG13.5
See table of cable types
LENGTH
C300 = 30 Centimetres
M050 = 5 Metres
C=Centimetres
M=Metres
F=Feet

Tablica tolerancji dlugosci

Table of length tolerances

Powyzej Over	Do-wlacznice Up to and including	Tolerancja (+) Tolerance
0	305	+19
305	915	+45
915	1830	+56
1830	3660	+89
3660	7320	+165
7320	14640	+317
14640	30500	+622
30500	>	+2% dlugosci of length



- UWAGI:
- DLUGOSCI CIECIA I SPECYFIKACJE NABIJANIA WG LISTY CIECIA.
 - PO OSADZENIU KONTAKTOW ZALAC KLEJEM.

- NOTES:
- CUTTING LENGTH AND CRIMPING SPECIFICATION IN CUTTING LIST.
 - AFTER ASSEMBLING TERMINALS FILL WITH GLUE.

ORIGINAL RELEASE EC NO: DRWN:MWOLSZCZAK 2008/09/01 CHKD: APPR:	DESCRIPTION REV	QUALITY SYMBOLS ▽=0 ∇=0	GENERAL TOLERANCES (UNLESS SPECIFIED)		DIMENSION STYLE MM ONLY		SCALE ---	DESIGN UNITS METRIC	FIRST ANGLE PROJECTION		
			mm	INCH	DRAWN BY MWOLSZCZAK	DATE 2008/09/01	TITLE MC-XP-FE/FE- REC-PG13.5-.XM				
			4 PLACES ±	±	CHECKED BY	DATE	APPROVED BY DWARWAS				
			3 PLACES ±	±	DATE 2008/09/01		MATERIAL NO. SEE CHART 1				
	2 PLACES ±	±	ANGULAR ± °		DOCUMENT NO. 1RXD30XXXXXX		SHEET NO. 1 OF 1				
	1 PLACE ±	±	DRAFT WHERE APPLICABLE MUST REMAIN WITHIN DIMENSIONS		THIS DRAWING CONTAINS INFORMATION THAT IS PROPRIETARY TO MOLEX INCORPORATED AND SHOULD NOT BE USED WITHOUT WRITTEN PERMISSION						