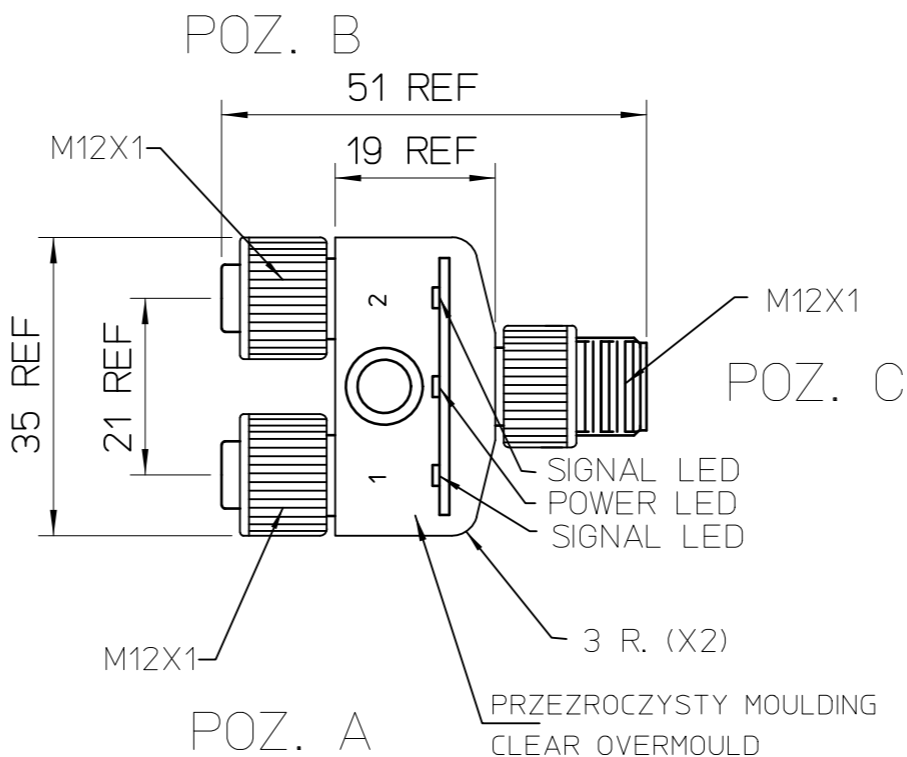
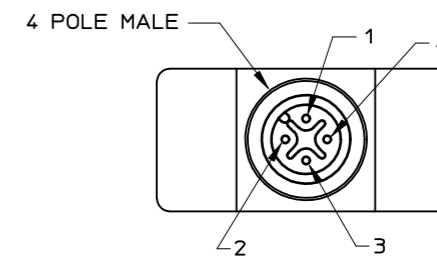
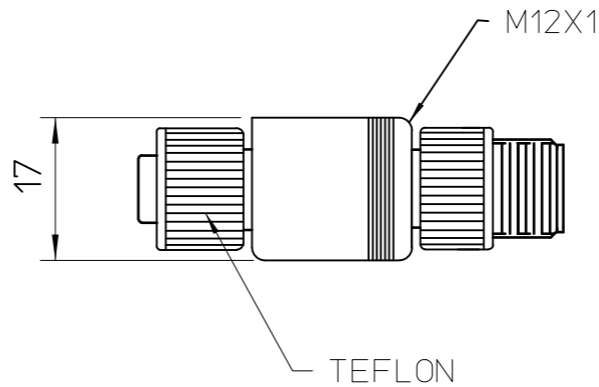
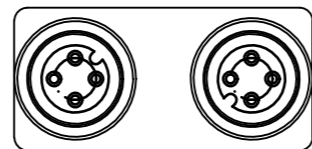


POZ. C
SCHEMAT POLACZEN
WIRING DIAGRAM



WIDOK OD STRONY CZOLA
FRONT VIEW



WOODHEAD P/N:
884AP0-7

UWAGI:
MONTAZ SPLITERA PATRZ INSTRUKCJA: VVK1_395_zal_6

NOTES:
SPLITTER ASSEMBLING: VVK1_395_zal_6

| | | | | | | | | | | | | |
|--|--------------------|-------------------------------|--|------|----------------------------|--------------------|---|--------------|------------------------|--|---|--|
| ORIGINAL RELEASE EC NO: DRWNK: CHKD: APPR: | DESCRIPTION REV | QUALITY SYMBOLS ▽=0 ∇=0 | GENERAL TOLERANCES (UNLESS SPECIFIED) | | DIMENSION STYLE | | SCALE 1 | DESIGN UNITS | FIRST ANGLE PROJECTION | | | |
| | | | mm | INCH | DRAWN BY KOTYPKO | DATE 2008/07/25 | TITLE MMC-4P-3LED MOULDED Y-SPLITTER | | | | | |
| | | | 4 PLACES ± | ± | CHECKED BY | DATE | APPROVED BY DWARWAS | | | | | |
| | | | 3 PLACES ± | ± | DATE 2008/07/25 | | MOLEX INCORPORATED | | | | | |
| | | | 2 PLACES ± | ± | MATERIAL NO. 1200090100 | | DOCUMENT NO. 884AP0-7 | | SHEET NO. 1 OF 1 | | | |
| | 1 PLACE ± | ± | DRAFT WHERE APPLICABLE MUST REMAIN WITHIN DIMENSIONS | | | | | | | | THIS DRAWING CONTAINS INFORMATION THAT IS PROPRIETARY TO MOLEX INCORPORATED AND SHOULD NOT BE USED WITHOUT WRITTEN PERMISSION | |