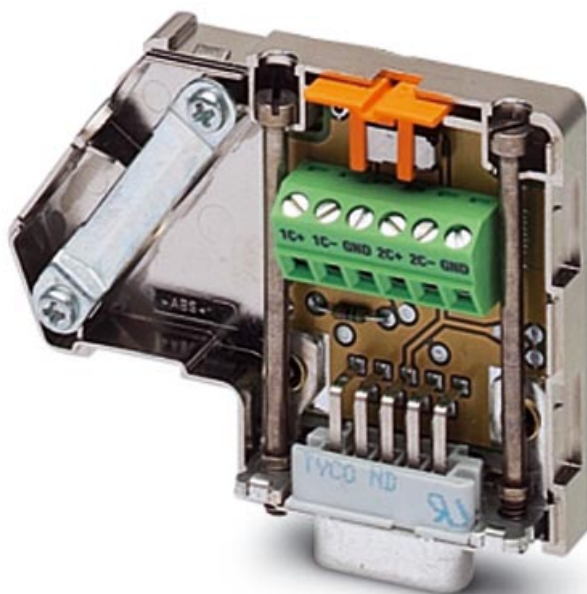


Please note that the data given here has been taken from the online catalog. For comprehensive information and data, please refer to the user documentation at <http://www.download.phoenixcontact.com>. The General Terms and Conditions of Use apply to Internet downloads.

### ► Extract from the online catalog

D-SUB connector, 9-pin, with two cable entries



Order No.	2744694
Ord designation	SUBCON-PLUS-CAN
EAN	4017918821760
Pack	1 Pcs.
Customs tariff	85369010
Catalog page information	Page 405 (IF-2005)

### ► Technical data

### General data

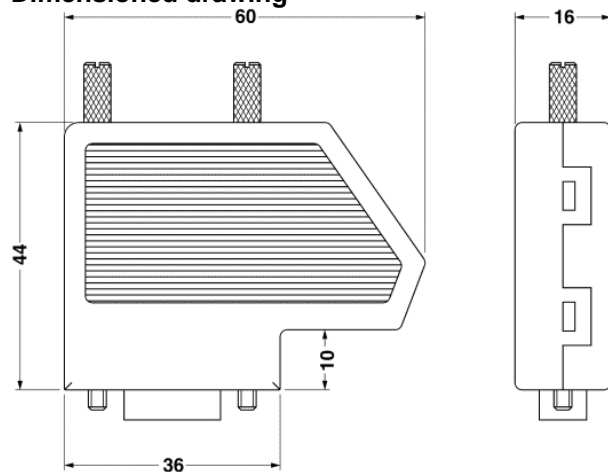
Nominal voltage $U_N$	60 V AC/DC
Nominal current $I_N$	1 A
Bus system	CAN, CANopen, SafetyBus-P
Insertion/withdrawal cycles	> 200
Max. cable diameter	4 mm
Min. cable diameter	10 mm
SUBCON fixing screws	4-40 UNC
Tightening torque	0.4 Nm
Ambient temperature (operation)	-20 °C ... 70 °C
Housing material	ABS, metal-plated
Pin assignment	2,3,7

### Connection data

Connection	D-SUB connection
Number of positions	9
Type of connection	D-SUB female connector
Connection	PCB connection
Type of connection	Screw connection
Conductor cross section, rigid min.	0.14 mm <sup>2</sup>
Conductor cross section, rigid max.	1.5 mm <sup>2</sup>
Conductor cross section flexible min.	0.14 mm <sup>2</sup>
Conductor cross section, flexible max.	1 mm <sup>2</sup>
Conductor cross section AWG/kcmil min.	26
Conductor cross section AWG/kcmil max	16
Stripping length	5 mm
Tightening torque	0.4 Nm

► Drawings

Dimensioned drawing



► **Address**

---

PHOENIX CONTACT GmbH & Co. KG  
Flachsmarktstr. 8  
32825 Blomberg  
Germany  
Phone +49 5235 3 00  
Fax +49 5235 3 41200  
<http://www.phoenixcontact.com>  
Phoenix Contact  
Technical modifications reserved;