

## Coil Data

Nominal Voltage	: 12 V dc
Coil Resistance	: Refer to coil data chart
Operate Voltage	: Refer to coil data chart
Release Voltage	: Refer to coil data chart
Coil Power	: 1,100 mW

## Contact Data

Contact Form	: U-2 form U
Contact Material	: Ag Alloy
Contact Rating	: Refer to table 1
Maximum Switching Voltage	: 75 V dc
Maximum Switching Current	: 20 A
Maximum Switching Power	: 280 W
Maximum Load Current	: 14V dc load voltage (Table 1)

Load	U
Contact Rating Current	2 × 10 A
Maximum Make Current	2 × 40 A
Maximum Break Current	2 × 20 A

Contact Resistance	: ≤ 100 mΩ (6 V dc 1 A)
--------------------	-------------------------

## Life

Electrical	: 100,000 operations
Mechanical	: 10,000,000 operations

## General Data

Minimum Insulation Resistance	: 100 MΩ 500 V dc
Dielectric Strength	: 500 V ac, 1 min between open contacts : 1,000 V ac, 1 min between coil and contacts
Maximum Operate Time	: 3 ms
Maximum Release Time	: 15 ms
Operate Temperature	: -40 to +85°C

# Automotive Relays

## General Data

### Shock Resistance

Endurance : 1,000 m/s<sup>2</sup>  
 Misoperation : 100 m/s<sup>2</sup>

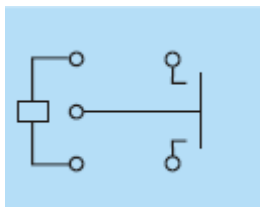
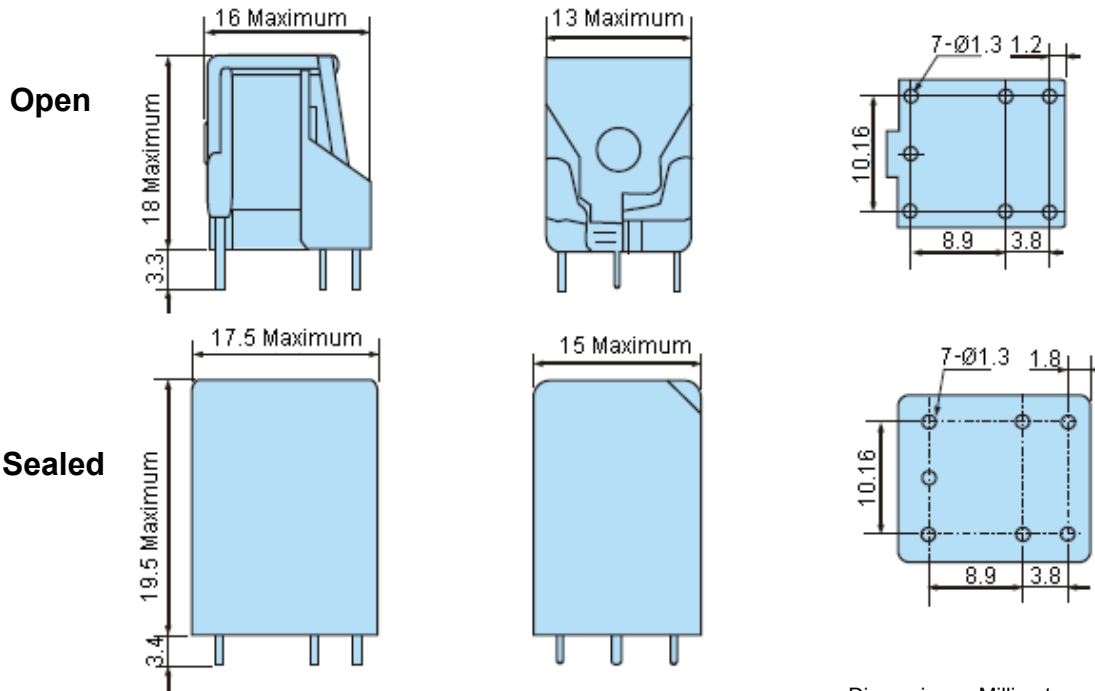
### Vibration Resistance

Endurance : 10-55 Hz, double amplitude 1.5 mm  
 Misoperation : 10-55 Hz, double amplitude 1.5 mm  
 Weight : Approximately 12 g  
 : Approximately 8 g (open)

## Coil Data Chart 20°C

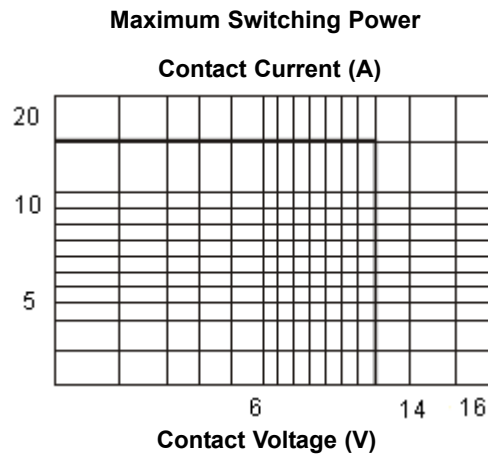
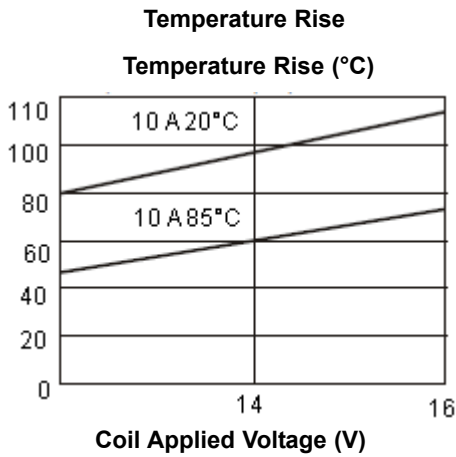
Nominal Voltage V dc	Coil Resistance $\Omega \pm 10\%$	Operate Voltage $\leq V$ dc	Release Voltage $\geq V$ dc	Coil Power mW
12	130.9	8.4	1.2	1,100

## Dimensions



Form U

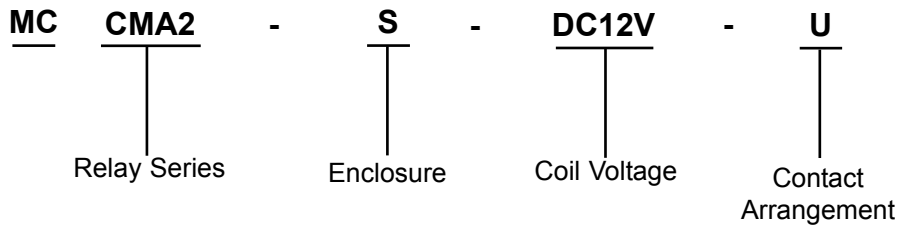
## Characteristic Chart Data



## Part Number Table

Description	Part Number
Relay, Auto, Double Make 12 V dc	MCCMA2-S-DC12V-U

## Part Number Explanation:



**Enclosure** : S = Plastic Sealed Type  
**Contact Arrangement** : U = U-2 Form U

**Important Notice** : This data sheet and its contents (the "Information") belong to the members of the Premier Farnell group of companies (the "Group") or are licensed to it. No licence is granted for the use of it other than for information purposes in connection with the products to which it relates. No licence of any intellectual property rights is granted. The Information is subject to change without notice and replaces all data sheets previously supplied. The Information supplied is believed to be accurate but the Group assumes no responsibility for its accuracy or completeness, any error in or omission from it or for any use made of it. Users of this data sheet should check for themselves the Information and the suitability of the products for their purpose and not make any assumptions based on information included or omitted. Liability for loss or damage resulting from any reliance on the Information or use of it (including liability resulting from negligence or where the Group was aware of the possibility of such loss or damage arising) is excluded. This will not operate to limit or restrict the Group's liability for death or personal injury resulting from its negligence. Multicomp is the registered trademark of the Group. © Premier Farnell plc 2011.