

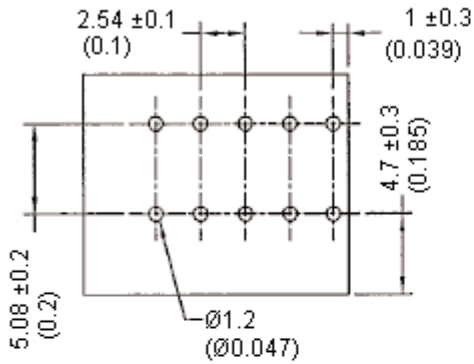


PART NO.

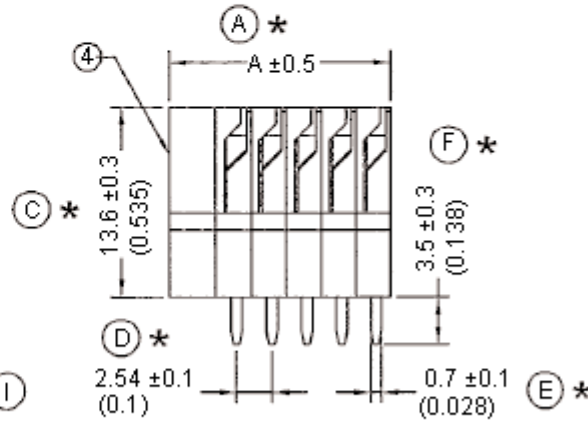
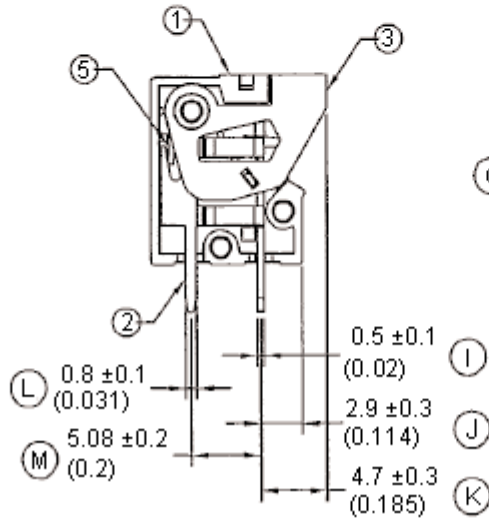
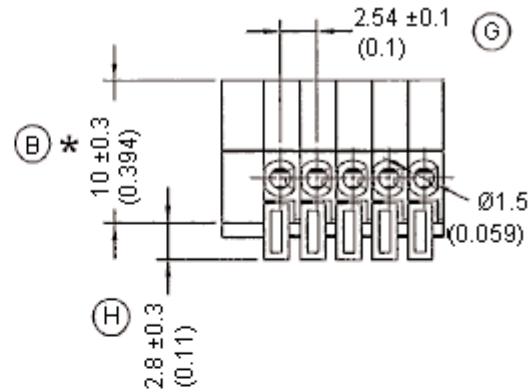
MC00000 - Series

REVISIONS

ECN #	REV	DESCRIPTION	DRAWN	DATE	CHECKD	DATE	APPRVD	DATE
-	A	RELEASED	Shashi	13/10/11	Veena	13/10/11		27/10/11



PCB Layout



Dimensions : Millimetres (Inches)



**Important Notice :** This data sheet and its contents (the "Information") belong to the members of the Premier Farnell group of companies (the "Group") or are licensed to it. No licence is granted for the use of it other than for information purposes in connection with the products to which it relates. No licence of any intellectual property rights is granted. The Information is subject to change without notice and replaces all data sheets previously supplied. The Information supplied is believed to be accurate but the Group assumes no responsibility for its accuracy or completeness, any error in or omission from it or for any use made of it. Users of this data sheet should check for themselves the information and the suitability of the products for their purpose and not make any assumptions based on information included or omitted. Liability for loss or damage resulting from any reliance on the Information or use of it (including liability resulting from negligence or where the Group was aware of the possibility of such loss or damage arising) is excluded. This will not operate to limit or restrict the Group's liability for death or personal injury resulting from its negligence. Multicomp is the registered trademark of the Group. © Premier Farnell plc 2011.

**TOLERANCES:**

**UNLESS OTHERWISE SPECIFIED, DIMENSIONS ARE FOR REFERENCE PURPOSES ONLY.**

<b>DRAWN BY:</b>	<b>DATE:</b>
Shashi	13/10/11
<b>CHECKED BY:</b>	<b>DATE:</b>
Veena	13/10/11
<b>APPROVED BY:</b>	<b>DATE:</b>
	27/10/11

**DRAWING TITLE:**

**2.54mm Screwless PCB Terminal**

<b>SIZE</b> A	<b>DWG NO.</b> M10002770	<b>ELECTRONIC FILE</b> MX322-254xx_DWG	<b>REV</b> A
<b>SCALE:</b> NTS		<b>U.O.M.:</b> mm (Inches)	<b>SHEET:</b> 1 OF 2



PART NO.

MC00000 - Series

REVISIONS

ECN #	REV	DESCRIPTION	DRAWN	DATE	CHECKD	DATE	APPRVD	DATE
-	A	RELEASED	Shashi	13/10/11	Veena	13/10/11		27/10/11

Specifications:

Rating current : 6 amperes, 150 V ac  
 Minimum insulation withstand voltage : 2,000 V ac  
 Insulation resistance : > 2,000 MΩ 500 V dc  
 Operating temperature : -40°C to +105°C  
 Wire strip length : 10 mm  
 Wire range : 20 to 26 AWG

Specification Table

Item No	Material	Plating / Finish	Remark
1	Insulating Body Polyamide 66	-	Green
2	Terminal Brass	Tin Plated	-
3	Lever Polyamide 66	-	Orange
4	Cover	-	Green
5	Spring Stainless Strip Steel	-	-

DimensionsTable

Pitch : 2.54 mm (0.1 inch)

Poles	A (mm)	A (Inch)
2	8.08	0.318
3	10.62	0.418
4	13.16	0.518
5	15.7	0.618
6	18.24	0.718
8	23.32	0.918
10	28.4	1.118
12	33.48	1.318

Part Number Table

Description	Part Number
Terminal Black PCB 2.54 mm Clamp 02 Way	MC000001
Terminal Black PCB 2.54 mm Clamp 03 Way	MC000002
Terminal Black PCB 2.54 mm Clamp 04 Way	MC000003
Terminal Black PCB 2.54 mm Clamp 05 Way	MC000004
Terminal Black PCB 2.54 mm Clamp 06 Way	MC000005
Terminal Black PCB 2.54 mm Clamp 08 Way	MC000006
Terminal Black PCB 2.54 mm Clamp 10 Way	MC000007
Terminal Black PCB 2.54 mm Clamp 12 Way	MC000008

www.element14.com  
 www.farnell.com  
 www.newark.com

**Important Notice :** This data sheet and its contents (the "Information") belong to the members of the Premier Farnell group of companies (the "Group") or are licensed to it. No licence is granted for the use of it other than for information purposes in connection with the products to which it relates. No licence of any intellectual property rights is granted. The Information is subject to change without notice and replaces all data sheets previously supplied. The Information supplied is believed to be accurate but the Group assumes no responsibility for its accuracy or completeness, any error in or omission from it or for any use made of it. Users of this data sheet should check for themselves the information and the suitability of the products for their purpose and not make any assumptions based on information included or omitted. Liability for loss or damage resulting from any reliance on the Information or use of it (including liability resulting from negligence or where the Group was aware of the possibility of such loss or damage arising) is excluded. This will not operate to limit or restrict the Group's liability for death or personal injury resulting from its negligence. Multicomp is the registered trademark of the Group. © Premier Farnell plc 2011.

TOLERANCES:

UNLESS OTHERWISE SPECIFIED, DIMENSIONS ARE FOR REFERENCE PURPOSES ONLY.

DRAWN BY:	DATE:
Shashi	13/10/11
CHECKED BY:	DATE:
Veena	13/10/11
APPROVED BY:	DATE:
	27/10/11

DRAWING TITLE:

**2.54mm Screwless PCB Terminal**

SIZE <b>A</b>	DWG NO. <b>M10002770</b>	ELECTRONIC FILE MX322-254xx_DWG	REV <b>A</b>
SCALE: NTS	U.O.M.: mm (Inches)	SHEET: 2 OF 2	