

# Filterfan PF 22.000 EMC Exhaust filter PFA 20.000 EMC



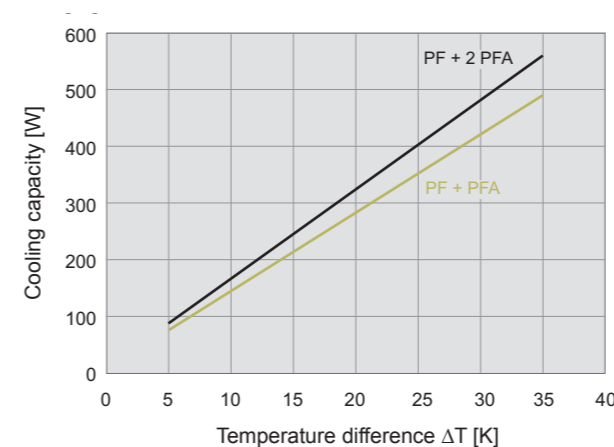
- installation size 2, air flow rate up to 70 m³/h
- secure contact due to improved contact springs on the screen grid
- system of protection IP 54 and IP 55, NEMA type 12
- UL, cUL approval
- UV-resistance (IP 55 version)
- cut-out compatible to installation size 2 of the 3<sup>rd</sup> and 4<sup>th</sup> Generation

Data		PF 22.000 EMC					Unit
Article number	IP 54	11822101055	11822151055	11822851055	11822801055	11822701055	
	IP 55	11822103055	11822153055	11822853055	11822803055	11822703055	
Rated voltage ± 10 %	AC 50 Hz / 60 Hz			DC			V
		230	115	12	24	48	
Unimpeded airflow	IP 54	61 / 70					m³/h
	IP 55	56 / 64					
Airflow rate in combination (PF + PFA 20.000 EMC)	IP 54	44 / 52					
	IP 55	40 / 46					
Power consumption		19 / 18	20 / 20	5	5	5	W
Current consumption		0.12 / 0.18	0.24 / 0.23	0.42	0.21	0.1	A
Noise level (according to EN ISO 3741)	IP 54	44 / 44					dB (A)
	IP 55	44					
Weight		0.78			0.49		kg
Type of connection		terminal strip		cable, 2-core, length 310 mm			
Fuse		6					A
System of protection according to EN 60529 / UL 50	IP 54	NEMA type 12 - standard filter					
	IP 55	NEMA type 12 - fluted filter					
Filtration efficiency	IP 54	88					%
	IP 55	91					
Filter mat quality class according to EN 779	IP 54	G 3					
	IP 55	G 4					
Duty cycle		100					%
Bearing type		sleeve bearing			ball bearing		
Service life L <sub>10</sub> (+ 40 °C) <sup>1</sup>		37500	40000	62500			h
Temperature range		- 15 ... + 55 / + 5 ... + 131					°C / °F
Design (housing and protection against accidental contact)	IP 54	made of injection-moulded thermoplastic, self-extinguishing, UL 94 VO					
	IP 55	additional: UV-resistant					
EMC screen		stainless steel					
Colour		RAL 7035, different colours available on request					
Accessories	Piece	Article number			Information on page		
Exhaust filter PFA 20.000 EMC	IP 54	1	11920001055			170	
	IP 55	1	11920003055			170	
Thermostat	1	17121000000			186/188		

<sup>1</sup> fan failure is defined as being when the current and speed deviate or the operating noises are out of the ordinary  
Approvals see page 129

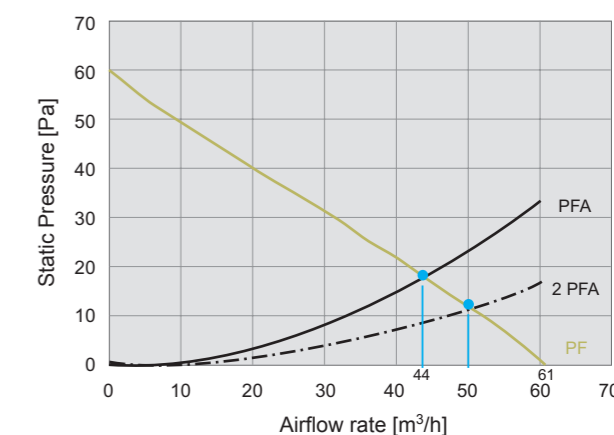
### Cooling capacity performance curves

PF 22.000 EMC IP 54

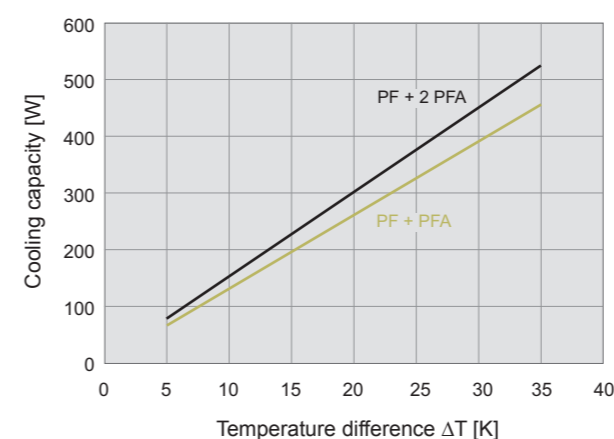


### Static pressure performance curves

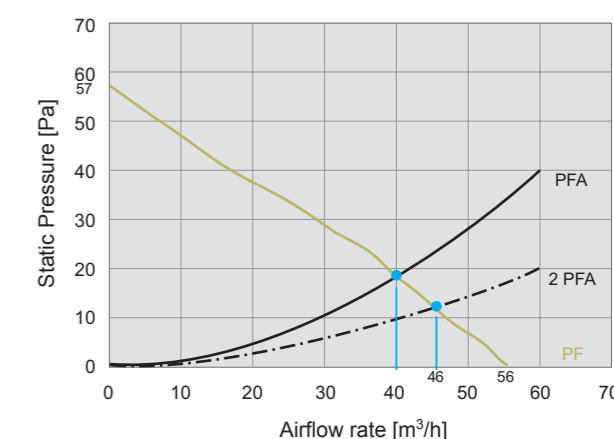
PF 22.000 EMC IP 54



PF 22.000 EMC IP 55

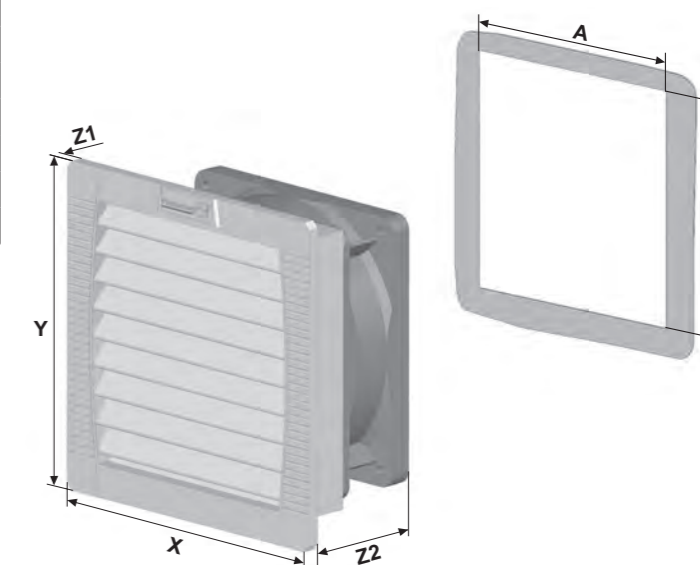


PF 22.000 EMC IP 55



### Dimensions

mm	PF 22.000 EMC	DC	PFA 20.000 EMC
X	145	145	145
Y	145	145	145
Z1	5	5	5
Z2	70	64	26
A	126	126	126
B	126	126	126



Further information on the EMC Filterfans (EMC series) can be found on page 166.