

BALLUFF

sensors worldwide

- BCS00K9
- BCS00LK
- BCS00LL
- BCS00LM
- BCS00LN
- BCS00LP
- BCS00LR
- BCS00LT
- BCS00LU
- BCS00LW
- BCS00LY
- BCS00LZ
- BCS00M0
- BCS00M1
- BCS00M2
- BCS00M3
- BCS00M4
- BCS00M5
- BCS00M6
- BCS00M7
- BCS00M8
- BCS00M9
- BCS00MA
- BCS00MC
- BCS00ME
- BCS00MF
- BCS00MH
- BCS00MJ
- BCS00MK
- BCS00ML
- BCS00MM
- BCS00MN
- BCS00MR
- BCS00MT
- BCS00MU
- BCS00MW
- BCS00MY
- BCS00MZ
- BCS00N0
- BCS00N1
- BCS00N2
- BCS00N3
- BCS00N4
- BCS00N5
- BCS00N6
- BCS00N7
- BCS00N8
- BCS00N9
- BCS00NA
- BCS00NC
- BCS00NE
- BCS00NF
- BCS00NH
- BCS00NJ
- BCS00NK
- BCS00NL
- BCS00NM
- BCS00NN
- BCS00NP
- BCS00NR
- BCS00NT
- BCS00NU
- BCS00NW
- BCS00NY
- BCS00NZ
- BCS00P0
- BCS00P1
- BCS00P2
- BCS00P3
- BCS00P4
- BCS00P5
- BCS00P6
- BCS00P7
- BCS00P8
- BCS00P9
- BCS00PA
- BCS00PC
- BCS00PE
- BCS00PF
- BCS00PH
- BCS00PJ
- BCS00PK
- BCS00PL
- BCS00PM
- BCS00PN
- BCS00PP
- BCS00PR
- BCS00PT
- BCS00PU
- BCS00PV
- BCS00PW
- BCS00RX
- BCS00R0

GlobalProx

The GlobalProx range increases in popularity



- 12x PNP Normally-open
- 12x PNP Normally-closed
- 12x NPN Normally-open
- 12x NPN Normally-closed

- 12x Flush
- 12x Non-flush

- 12x Metal
- 12x Plastic

- 12x Cable
- 12x Connector

- 8x M12
- 8x M18
- 8x M30



96 Variants

GlobalProx

Capacitive Sensors

The GlobalProx range increases in popularity

more added value

The new capacitive BCS range is a worldwide standard with an outstanding price/performance ratio that enjoys global availability and can be used anywhere in the world.

- M12, M18 and M30 designs
- Flush models for object detection
- Non-flush models for level detection
- Cable and M12 plug variants
- Stainless steel and plastic variants available

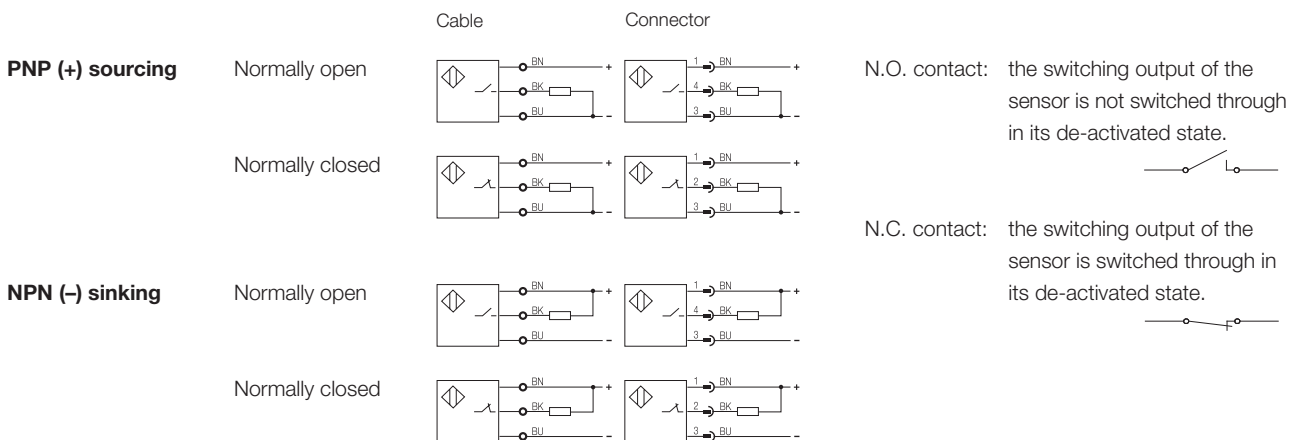


Capacitive object detection made easy with the new GlobalProx series



Capacitive level detection made easy with the new GlobalProx series

Operating voltage U_o	10...30 V DC
Voltage drop U_a at I_o	≤ 1.5 V
Rated insulation voltage U_i (protection class)	75 V DC
Output current max.	100 mA
No-load supply current I_o max.	≤ 15 mA
Reverse polarity/short-circuit protected	Yes/Yes
Temperature drift of s_n ($-5^\circ \dots +55^\circ\text{C}$)	20 %
Ambient temperature range T_a	$-25 \dots +85^\circ\text{C}$
Switching frequency f	100 Hz
Power indicator	Green LED
Output function indicator	Yellow LED
Degree of protection as per IEC 60529	IP 67



Capacitive Sensors

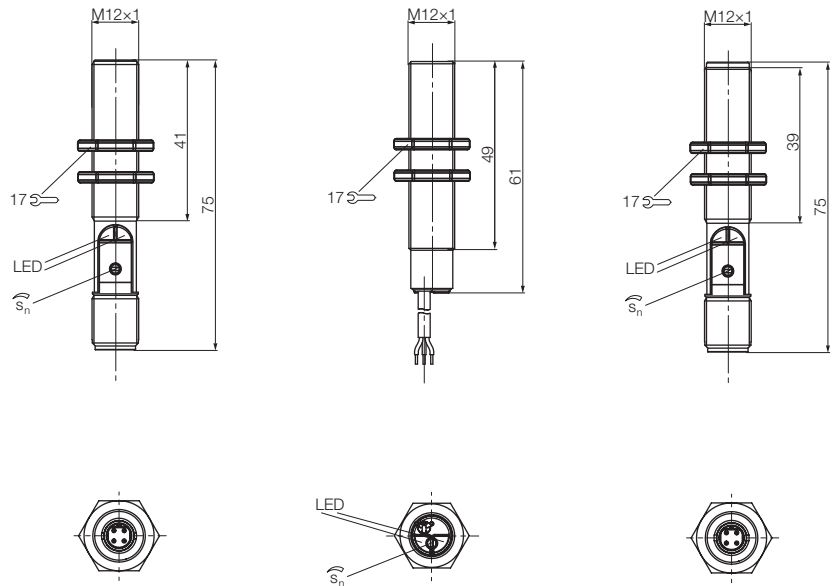
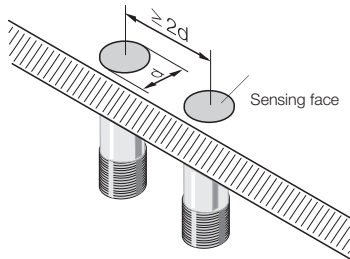
Object detection



Size	M12x1	M12x1	M12x1
Mounting	Flush	Flush	Flush
Rated switching distance s_n	1...4 mm	1...4 mm	1...4 mm
PNP NO	Ordering code Part number BCS00P0 BCS M12B4G2-PSC04D-S04K	Ordering code Part number BCS00K9 BCS M12B4I1-PSC04D-EP02	Ordering code Part number BCS00PJ BCS M12BBG2-PSC04D-S04K
PNP NC	Ordering code Part number BCS00P1 BCS M12B4G2-POC04D-S04K	Ordering code Part number BCS00P8 BCS M12B4I1-POC04D-EP02	Ordering code Part number BCS00PK BCS M12BBG2-POC04D-S04K
NPN NO	Ordering code Part number BCS00P2 BCS M12B4G2-NSC04D-S04K	Ordering code Part number BCS00P9 BCS M12B4I1-NSC04D-EP02	Ordering code Part number BCS00PL BCS M12BBG2-NSC04D-S04K
NPN NC	Ordering code Part number BCS00P3 BCS M12B4G2-NOC04D-S04K	Ordering code Part number BCS00PA BCS M12B4I1-NOC04D-EP02	Ordering code Part number BCS00PM BCS M12BBG2-NOC04D-S04K
Material	Housing	V2A	PBT
	Sensing face	PBT	PBT
	Cover	PA 12/PBT	PA 12
Connection	M12 connector, 4-pin, A-coded	2 m cable PUR, 3x0.34 mm ²	M12 connector, 4-pin, A-coded

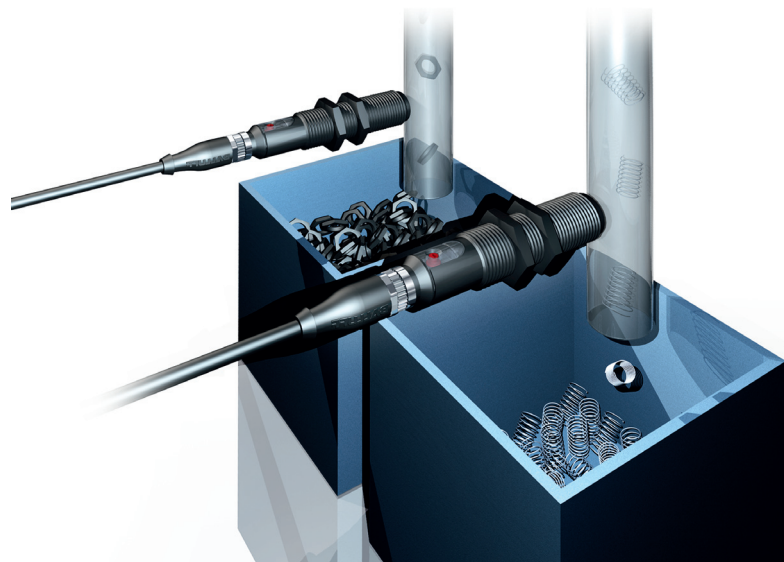
Flush-mount (shielded) proximity switches

... can be installed with their sensing faces flush to the metal. The distance between two proximity switches (in row mounting) must be $\geq 2d$.



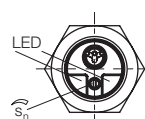
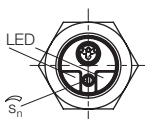
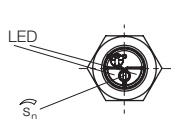
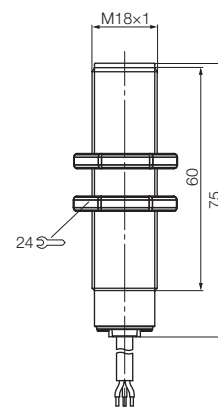
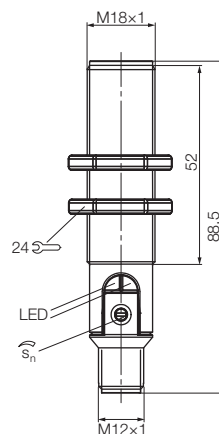
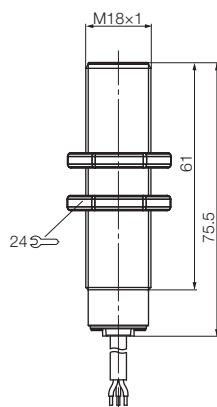
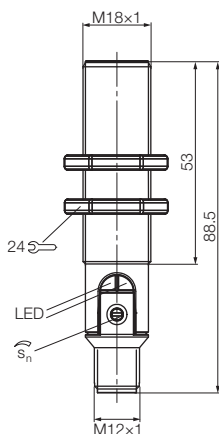
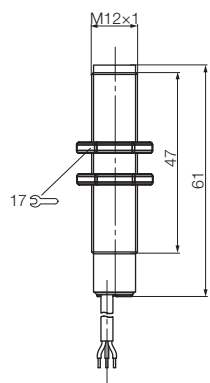
- Further enhanced EMC protection
- All sensors available in plastic or V2A housing
- M12 plug and cable variants
- Easily accessible potentiometer for adaptation to the application
- Flush, also in completely plastic housing

The new capacitive sensors for object detection combine versatility with maximum EMC protection. The complete series incorporates M12, M18 and M30 variants in a plastic and stainless steel housing. All devices are easily adapted to the relevant application using a potentiometer. The flush switching characteristics enable large switching distances, even when detecting plastic components.



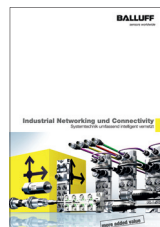
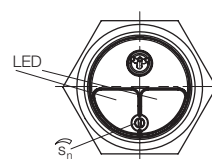
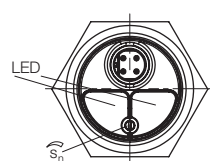
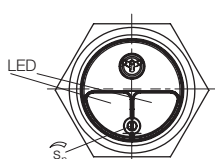
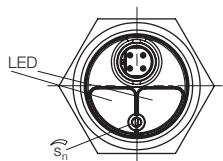
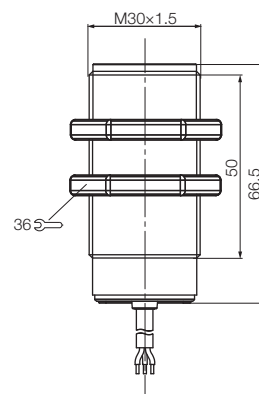
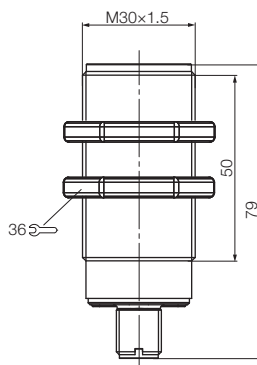
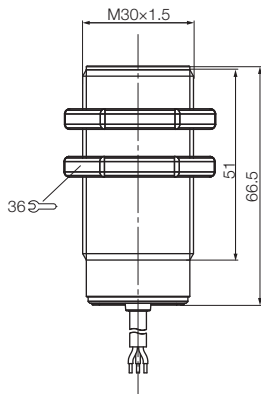
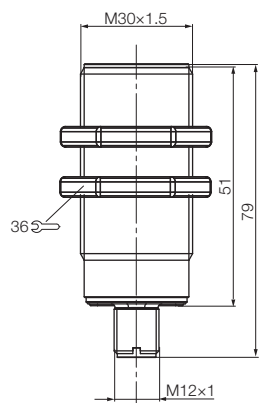


M12x1	M18x1	M18x1	M18x1	M18x1
Flush	Flush	Flush	Flush	Flush
1...4 mm	2...8 mm	2...8 mm	2...8 mm	2...8 mm
BCS00PU	BCS00MF	BCS00LK	BCS00M8	BCS00NZ
BCS M12BB11-PSC04D-EP02	BCS M18B4I3-PSC80D-S04K	BCS M18B4N1-PSC80D-EP02	BCS M18BBI3-PSC80D-S04K	BCS M18BBN1-PSC80D-EP02
BCS00PW	BCS00M4	BCS00LR	BCS00MH	BCS00M1
BCS M12BB11-POC04D-EP02	BCS M18B4I3-POC80D-S04K	BCS M18B4N1-POC80D-EP02	BCS M18BBI3-POC80D-S04K	BCS M18BBN1-POC80D-EP02
BCS00PY	BCS00M5	BCS00LN	BCS00MJ	BCS00M2
BCS M12BB11-NSC04D-EP02	BCS M18B4I3-NSC80D-S04K	BCS M18B4N1-NSC80D-EP02	BCS M18BBI3-NSC80D-S04K	BCS M18BBN1-NSC80D-EP02
BCS00PZ	BCS00M6	BCS00LP	BCS00MK	BCS00M3
BCS M12BB11-NOC04D-EP02	BCS M18B4I3-NOC80D-S04K	BCS M18B4N1-NOC80D-EP02	BCS M18BBI3-NOC80D-S04K	BCS M18BBN1-NOC80D-EP02
PBT	V2A	V2A	PBT	PBT
PBT	PBT	PBT	PBT	PBT
PA 12	PA 12/PBT	PA 12	PA 12/PBT	PA 12
2 m cable PUR, 3x0.34 mm ²	M12 connector, 4-pin, A-coded	2 m cable PUR, 3x0.34 mm ²	M12 connector, 4-pin, A-coded	2 m cable PUR, 3x0.34 mm ²





M30x1.5	M30x1.5	M30x1.5	M30x1.5
Flush	Flush	Flush	Flush
2...15 mm	2...15 mm	2...15 mm	2...15 mm
BCS00MR	BCS00N2	BCS00NA	BCS00NM
BCS M30B4I2-PSC15D-S04K	BCS M30B4I1-PSC15D-EP02	BCS M30BBI2-PSC15D-S04K	BCS M30BBI1-PSC15D-EP02
BCS00MT	BCS00N3	BCS00NC	BCS00NN
BCS M30B4I2-POC15D-S04K	BCS M30B4I1-POC15D-EP02	BCS M30BBI2-POC15D-S04K	BCS M30BBI1-POC15D-EP02
BCS00MU	BCS00N4	BCS00NE	BCS00NP
BCS M30B4I2-NSC15D-S04K	BCS M30B4I1-NSC15D-EP02	BCS M30BBI2-NSC15D-S04K	BCS M30BBI1-NSC15D-EP02
BCS00MW	BCS00N5	BCS00NF	BCS00NR
BCS M30B4I2-NOC15D-S04K	BCS M30B4I1-NOC15D-EP02	BCS M30BBI2-NOC15D-S04K	BCS M30BBI1-NOC15D-EP02
V2A	V2A	PBT	PBT
PBT	PBT	PBT	PBT
PA 12/PBT	PA 12/PBT	PA 12/PBT	PA 12/PBT
M12 connector, 4-pin, A-coded	2 m cable PUR, 3x0.34 mm ²	M12 connector, 4-pin, A-coded	2 m cable PUR, 3x0.34 mm ²



For more information on connectors refer to our „Industrial Networking and Connectivity“ catalog or visit us online at www.balluff.com

Capacitive Sensors

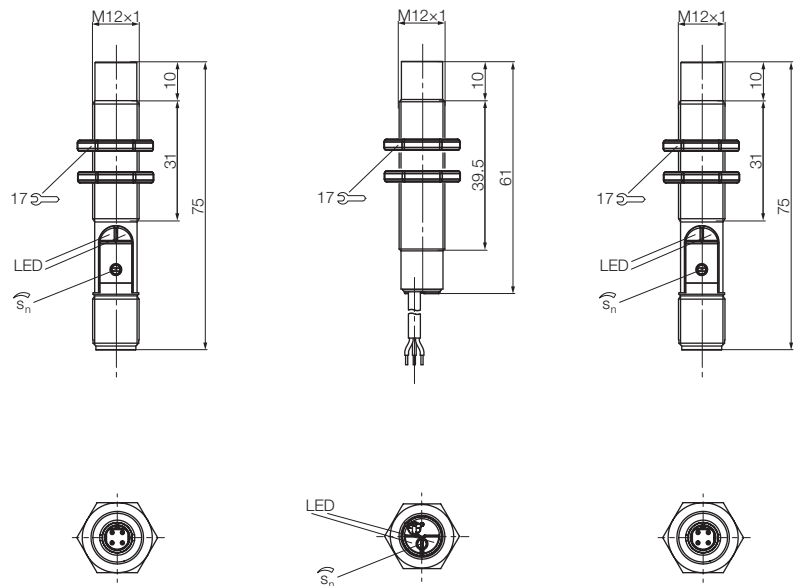
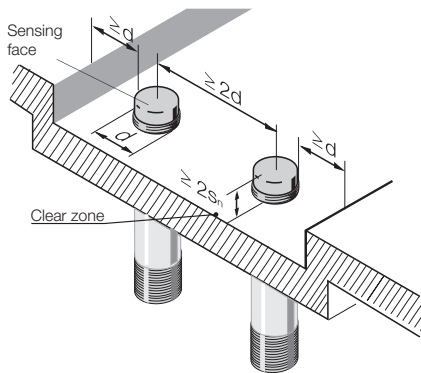
Level detection



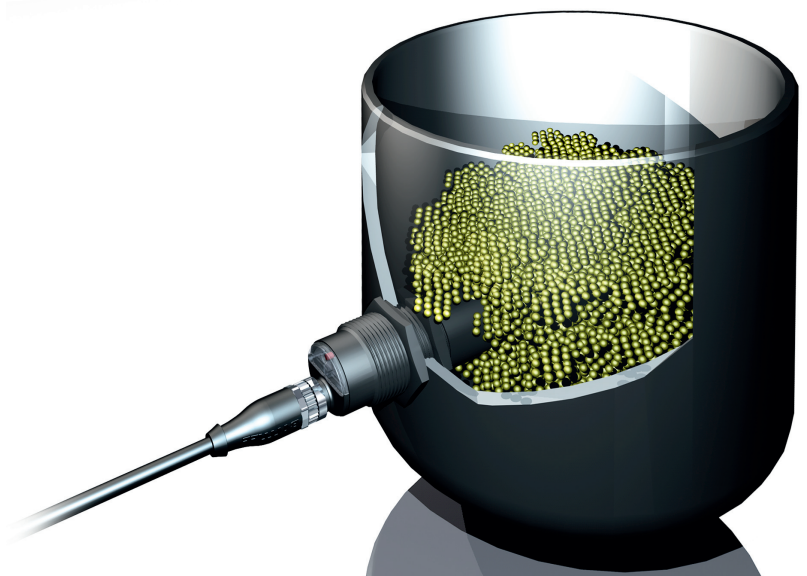
Size		M12×1	M12×1	M12×1
Mounting		Non-flush	Non-flush	Non-flush
Rated switching distance s_n		1...8 mm	1...8 mm	1...8 mm
PNP NO	Ordering code	BCS00P4	BCS00PC	BCS00PN
	Part number	BCS M12B4E2-PSC80H-S04K	BCS M12B4G1-PSC80H-EP02	BCS M12BBE2-PSC80H-S04K
PNP NC	Ordering code	BCS00P5	BCS00PE	BCS00PP
	Part number	BCS M12B4E2-POC80H-S04K	BCS M12B4G1-POC80H-EP02	BCS M12BBE2-POC80H-S04K
NPN NO	Ordering code	BCS00P6	BCS00PF	BCS00PR
	Part number	BCS M12B4E2-NSC80H-S04K	BCS M12B4G1-NSC80H-EP02	BCS M12BBE2-NSC80H-S04K
NPN NC	Ordering code	BCS00P7	BCS00PH	BCS00PT
	Part number	BCS M12B4E2-NOC80H-S04K	BCS M12B4G1-NOC80H-EP02	BCS M12BBE2-NOC80H-S04K
Material	Housing	V2A	V2A	PBT
	Sensing face	PBT	PBT	PBT
	Cover	PA 12/PBT	PA 12	PA 12/PBT
Connection		M12 connector, 4-pin, A-coded	2 m cable PUR, 3×0.34 mm ²	M12 connector, 4-pin, A-coded

Unshielded proximity switches

The sensing face must extend $\geq 2s_n$ from the metallic installation medium. The distance between two proximity switches must be $\geq 2d$.

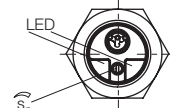
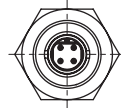
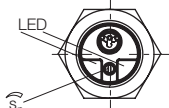
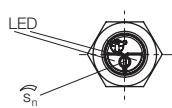
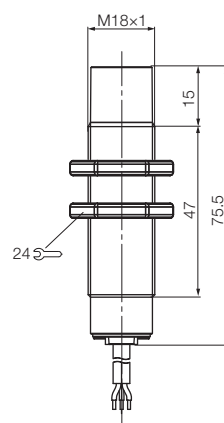
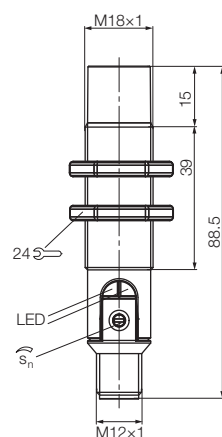
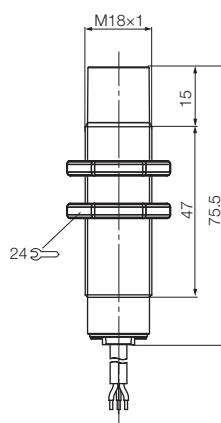
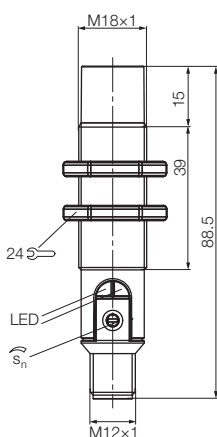
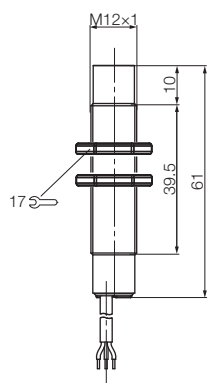


- Further enhanced EMC protection
- All sensors available in plastic or V2A housing
- M12 plug and cable variants
- Easily accessible potentiometer for perfect adaptation to the application
- Improved adhesion compensation





M12x1	M18x1	M18x1	M18x1	M18x1
Non-flush	Non-flush	Non-flush	Non-flush	Non-flush
1..8 mm	2..15 mm	2..15 mm	2..15 mm	2..15 mm
BCS00R0	BCS00ME	BCS00M7	BCS00LM	BCS00LL
BCS M12BBG1-PSC80H-EP02	BCS M18B4G2-PSC15H-S04K	BCS M18B4H1-PSC15H-EP02	BCS M18BBG2-PSC15H-S04K	BCS M18BBH1-PSC15H-EP02
BCS00R1	BCS00ML	BCS00M9	BCS00LT	BCS00LY
BCS M12BBG1-POC80H-EP02	BCS M18B4G2-POC15H-S04K	BCS M18B4H1-POC15H-EP02	BCS M18BBG2-POC15H-S04K	BCS M18BBH1-POC15H-EP02
BCS00R2	BCS00MM	BCS00MA	BCS00LU	BCS00LZ
BCS M12BBG1-NSC80H-EP02	BCS M18B4G2-NSC15H-S04K	BCS M18B4H1-NSC15H-EP02	BCS M18BBG2-NSC15H-S04K	BCS M18BBH1-NSC15H-EP02
BCS00R3	BCS00MN	BCS00MC	BCS00LW	BCS00MO
BCS M12BBG1-NOC80H-EP02	BCS M18B4G2-NOC15H-S04K	BCS M18B4H1-NOC15H-EP02	BCS M18BBG2-NOC15H-S04K	BCS M18BBH1-NOC15H-EP02
PBT	V2A	V2A	PBT	PBT
PBT	PBT	PBT	PBT	PBT
PA 12	PA 12/PBT	PA 12	PA 12/PBT	PA 12
2 m cable PUR, 3x0.34 mm ²	M12 connector, 4-pin, A-coded	2 m cable PUR, 3x0.34 mm ²	M12 connector, 4-pin, A-coded	2 m cable PUR, 3x0.34 mm ²



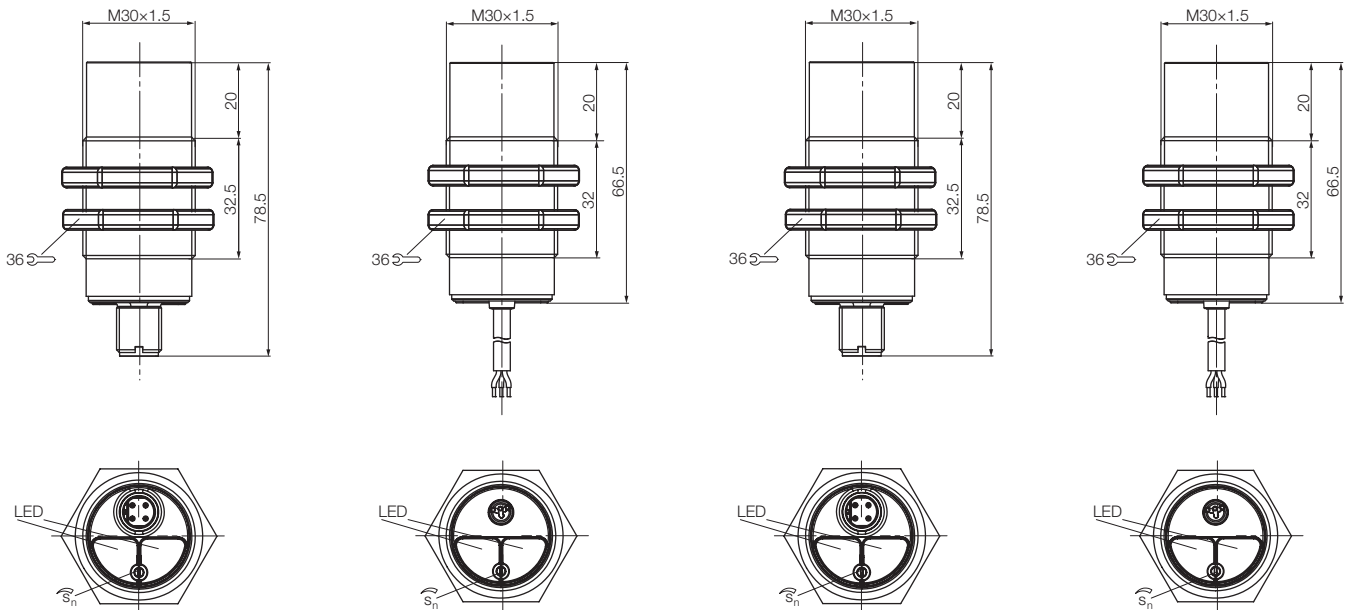
The new capacitive sensors for level detection combine versatility with maximum EMC protection. The complete series incorporates M12, M18 and M30 variants in a plastic and stainless steel housing. All devices are easily adapted to the relevant application using a potentiometer. Non-flush switching characteristics ensure more effective compensation for adhesions that come into contact with the material.



For more information on connectors refer to our „Industrial Networking and Connectivity“ catalog or visit us online at www.balluff.com



M30×1.5 Non-flush 1...25 mm	M30×1.5 Non-flush 1...25 mm	M30×1.5 Non-flush 1...25 mm	M30×1.5 Non-flush 1...25 mm
BCS00MY	BCS00N6	BCS00NH	BCS00NT
BCS M30B4E2-PSC25H-S04K	BCS M30B4E1-PSC25H-EP02	BCS M30BBE2-PSC25H-S04K	BCS M30BBE1-PSC25H-EP02
BCS00MZ	BCS00N7	BCS00NJ	BCS00NU
BCS M30B4E2-POC25H-S04K	BCS M30B4E1-POC25H-EP02	BCS M30BBE2-POC25H-S04K	BCS M30BBE1-POC25H-EP02
BCS00N0	BCS00N8	BCS00NK	BCS00NW
BCS M30B4E2-NSC25H-S04K	BCS M30B4E1-NSC25H-EP02	BCS M30BBE2-NSC25H-S04K	BCS M30BBE1-NSC25H-EP02
BCS00N1	BCS00N9	BCS00NL	BCS00NY
BCS M30B4E2-NOC25H-S04K	BCS M30B4E1-NOC25H-EP02	BCS M30BBE2-NOC25H-S04K	BCS M30BBE1-NOC25H-EP02
V2A	V2A	PBT	PBT
PBT	PBT	PBT	PBT
PA 12/PBT	PA 12/PBT	PA 12/PBT	PA 12/PBT
M12 connector, 4-pin, A-coded	2 m cable PUR, 3×0.34 mm ²	M12 connector, 4-pin, A-coded	2 m cable PUR, 3×0.34 mm ²



Balluff GmbH
 Schurwaldstrasse 9
 73765 Neuhausen a.d.F.
 Germany
 Phone +49 7158 173-0
 Fax +49 7158 5010
 balluff@balluff.de

www.balluff.com