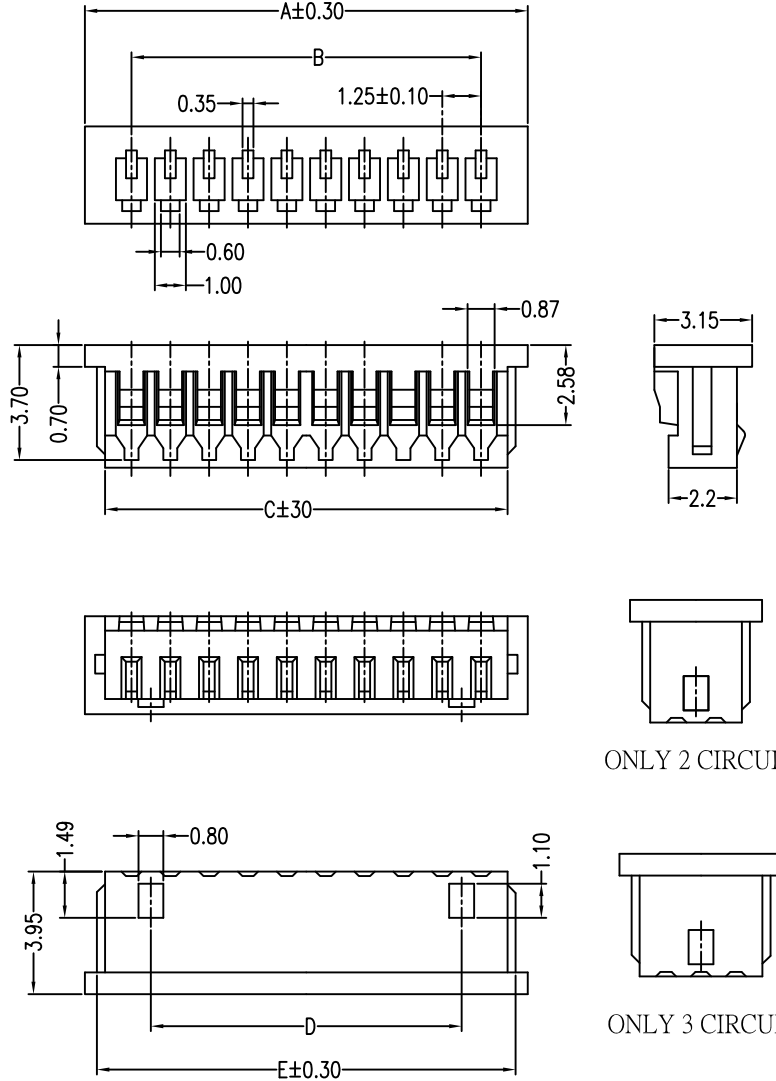


Tous droits strictement réservés. Reproduction ou communication à des tiers interdite sous quelque forme que ce soit sans autorisation écrite du propriétaire. Propriété de c FCI. Droits de reproduction FCI.



All rights strictly reserved. Reproduction or issue to third parties in any form whatever is not permitted without written authority from the proprietor. Property of FCI. Copyright FCI.



ONLY 2 CIRCUITS

ONLY 3 CIRCUITS

NOTES:  
 1. SPECIFICATIONS  
 Current Rating: 1A AC,DC  
 Voltage Rating: 125V AC,DC  
 Temperature Range:  $-40^{\circ}\text{C} \sim +105^{\circ}\text{C}$   
 Contact Resistance: 20m $\Omega$  Max.  
 Insulation Resistance: 100M $\Omega$  Min.  
 Withstanding Voltage: 500V AC/minute  
 Material: Natural Thermoplastic, UL94V-0

2. Part number of terminal for wire assembly: 10114827

3. Ordering Information & Dimensions:  
 10114826- X 0 X XX LF

Material: PA66  
 LF: See note A  
 pin counts from 02~15  
 Packaging: Bulk

PART NO.	Dimensions				
	A	B	C	D	E
10114826-x0x02LF	4.25	1.25±0.05	2.95		3.47
10114826-x0x03LF	5.50	2.50±0.10	4.20		4.72
10114826-x0x04LF	6.75	3.75±0.10	5.45	2.50±0.10	5.97
10114826-x0x05LF	8.00	5.00±0.10	6.70	3.75±0.10	7.22
10114826-x0x06LF	9.25	6.25±0.15	7.95	5.00±0.15	8.47
10114826-x0x07LF	10.50	7.50±0.15	9.20	6.25±0.15	9.72
10114826-x0x08LF	11.75	8.75±0.15	10.45	7.50±0.15	10.97
10114826-x0x09LF	13.00	10.00±0.15	11.70	8.75±0.15	12.22
10114826-x0x10LF	14.25	11.25±0.20	12.95	10.00±0.20	13.47
10114826-x0x11LF	15.50	12.50±0.20	14.20	11.25±0.20	14.72
10114826-x0x12LF	16.75	13.75±0.20	15.45	12.50±0.20	15.97
10114826-x0x13LF	18.00	15.00±0.20	16.70	13.75±0.20	17.22
10114826-x0x14LF	19.25	16.25±0.20	17.95	15.00±0.20	18.47
10114826-x0x15LF	20.50	17.50±0.20	19.20	16.25±0.20	19.72

mat'l. code				tolerances unless otherwise specified				CUSTOMER COPY		FCI		
ltr	ecn no	dr	date	linear	.X ± 0.25		projection	www.fciconnect.com				
A	T10-0145	J H	12/1/10		.XX ± 0.15				title			
					.XXX ±				WTB 1.25MM HOUSING			
					angles	0° ±2'						
				dr	JASON HSU	12/1/10		product family		code		
				enr	JASON HSU	12/1/10		WTB		TWN		
				chr	GARY HSIEH	12/1/10		size		sheet		
				appd	JOSEPH HSIA	12/1/10		10114826		1 of 1		
sheet index	revision sheet	A	1				scale	A4				