

TECHNICAL CHARACTERISTICS

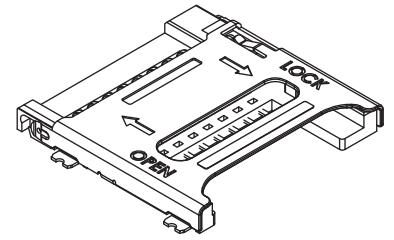
MATERIAL
 INSULATOR: LCP
 FLAMABILITY RATING: UL94-V0
 COLOR: BLACK
 CONTACT MATERIAL: COPPER ALLOY
 CONTACT TYPE: STAMPED
 CONTACT PLATING: GOLD
 SHIELDING: STAINLESS STEEL
 QUALITY CLASS: 10000 MATING CYCLES

ENVIRONMENTAL
 OPERATING TEMPERATURE: -25 UP TO 85°C
 COMPLIANCE: LEAD FREE AND ROHS

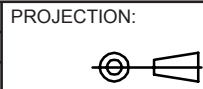
ELECTRICAL
 CURRENT RATING: 0.5A
 WORKING VOLTAGE: 100VAC
 INSULATOR RESISTANCE: >1000 MOHM
 DIELECTRIC WITHSTANDING VOLTAGE: 500VAC/MN
 CONTACT RESISTANCE: 100 mOHM MAX

SOLDERING
 REFLOW PROCESS ONLY

PACKAGING
 TAPE & REEL



RoHS Compliant			
B	12-FEB-16	TKP	GG
A	11-AUG-31	PDF	GG
REV	DATE	FILE	BY



GENERAL TOLERANCE
 .X = +/- 0.2
 .XX = +/- 0.15



APPROVAL: RJ

UNIT: MM
 SCALE:
 SHEET: 1/2
 DRAW: VICKY

DESCRIPTION: Micro SD Card Connector - Hinge - 8 pins
 WERI PART NO: 693 072 010 801

SIZE
A4

1

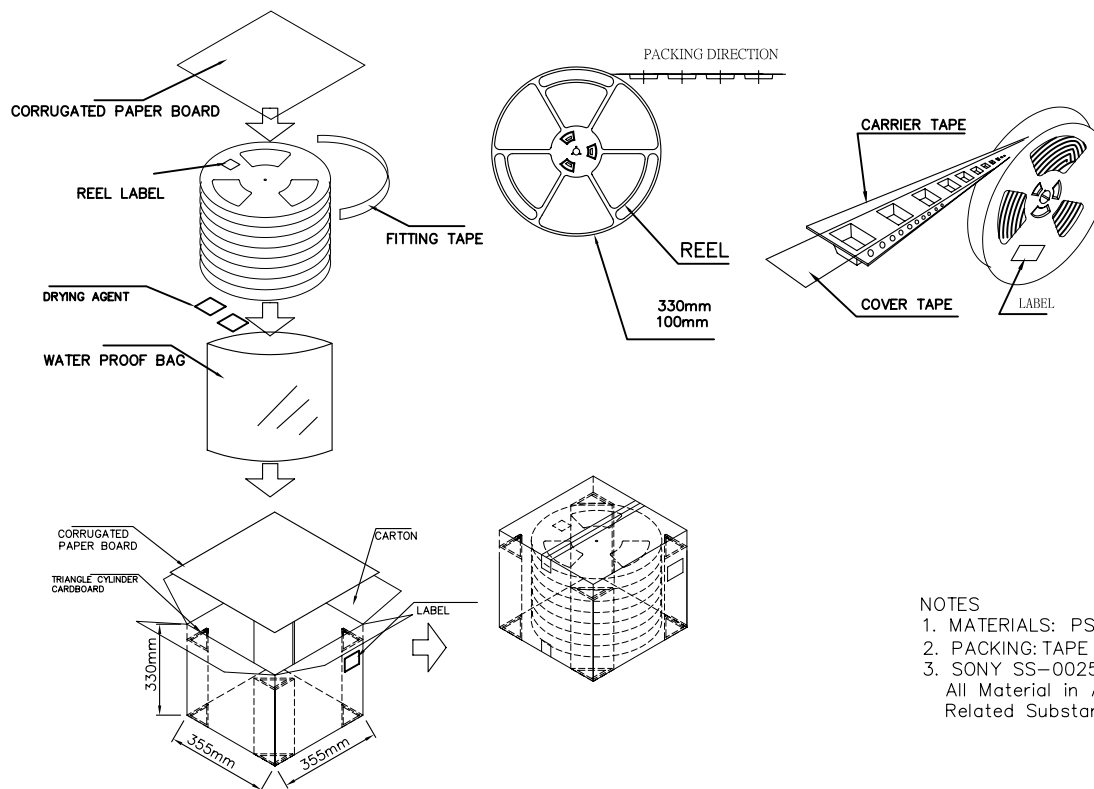
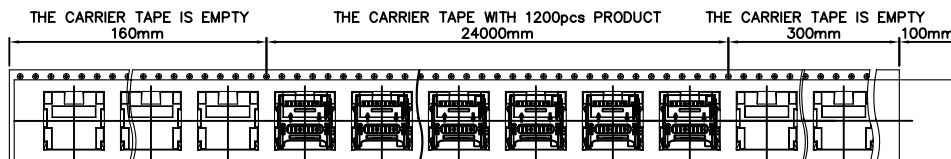
2

3

4

5

PACKING DIRECTION

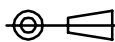


NOTES

1. MATERIALS: PS
 2. PACKING: TAPE REEL(1200PCS/REEL ,10800PCS/CARTON)
 3. SONY SS-00259 or RoHS
- All Material in According With The Rohs Environment Related Substances List Controlled.

RoHS Compliant

PROJECTION:



GENERAL TOLERANCE

.X = ± 0.2 .XX = ± 0.15 

APPROVAL: RJ

UNIT: MM

SCALE:

SHEET: 2/2

DRAW: VICKY

DESCRIPTION: Micro SD Card Connector - Hinge - 8 pins

WERI PART NO: 693 072 010 801

SIZE

A4

REV

DATE

FILE

BY