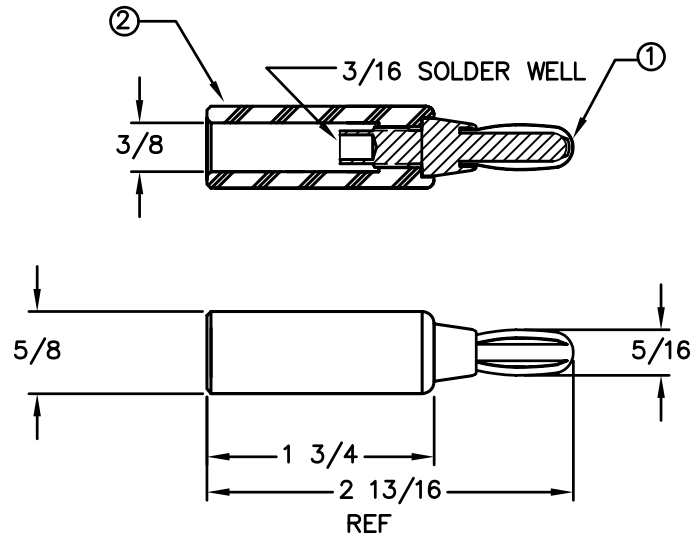


BILL OF MATERIAL

DET	QTY	DESCRIPTION	MATERIAL	PLATE
1	1	GIANT BANANA PLUG	SEE DRAWING	NICKEL
2	1	HANDLE	DELTRIN	NA
285 SUB ASSEMBLY				
	1	SPRING-CONTACT	BeCu	-
	1	BODY	BRASS 360	-

REVISIONS

SYM	DESCRIPTION	REVISED BY	DATE	APPR
-----	-------------	------------	------	------



PART NO	COLOR
285-102	RED
285-103	BLACK

ELECTRICAL RATINGS  
 25 AMPS  
 2 KV

MATERIAL: SEE TABLE		FINISH: NA		<h1>ABBATRON</h1> <p>Electronic Connectors and Hardware                  632 Arch Street, Meadville, Pa. 16335</p>			
DIMENSIONAL TOLERANCES UNLESS OTHERWISE SPECIFIED			TITLE: 285-10X INSULATED GIANT BANANA PLUG				
.XX	.XXX	.XXX					
---	---	---					
FRACTIONS		ANGLES		SCALE			
---	---	---		1:1			
HEAT TREAT: ---		DRAWN: T. LORD		DATE: 5/20/03			
PLOT SCALE: 1=1		CHECKED: T. LORD		DATE: 5/20/03			
		APPROVED: T. LORD		DATE: 5/20/03			
SIZE: B	DRAWING NUMBER: SMP-00425			ISSUE: A			