



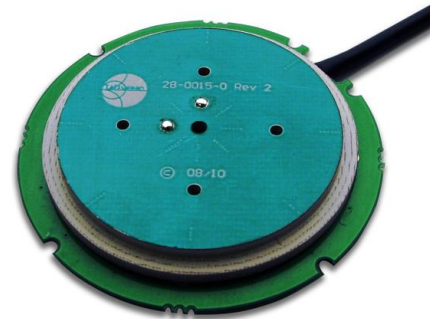
A TIME AND PLACE *for everything™*

TW2605 Embedded Iridium™ Certified Antenna

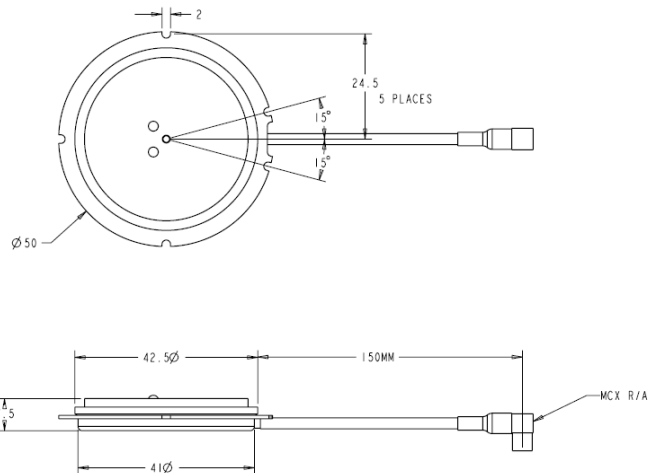
The TW2605 by Tallysman Wireless is a professional grade, embedded, passive right hand circularly polarised antenna for the 1616 to 1626.5 MHz frequency band, certified and specially designed to maximise the performance of Iridium™ voice and data modems.

The TW2605 features a high performance dual-feed patch element that provides great axial ratio (3dB max) over the entire Iridium™ frequency band, thus signals at the band edges remain truly circular, unlike the response of single feed antennas.

The TW2605 provides excellent Iridium™ signal coverage, and comes in a compact circular form factor with a built-in 50 mm diameter ground plane and with a 15 cm RG174 cable.



TW2605 Dimensions (mm)



Applications

- Iridium™ Voice and Data Applications
- Sea & Land Container Tracking
- Military & Security
- Fleet Management & Asset Tracking
- Marine & Avionics Systems
- Law Enforcement & Public Safety

Features

- Custom high gain 4.25 dBic dual-feed patch
- Great axial ratio, 3 dB over full bandwidth
- 15 KV ESD circuit protection
- Robust design
- Small form factor

Benefits

- Excellent circular polarized signal transmission
- Industrial temperature range
- Rugged Design
- RoHS compliant



TW2605 Embedded Iridium™ Certified Antenna

Specifications

Vcc = 3V, over full bandwidth, T=25°C

Antenna

Architecture	Dual, quadrature feeds
Antenna Gain (100mm ground plane)	4.25 dBic
Axial Ratio (over full bandwidth)	≤3 dB

Electrical

Architecture	Hybrid 90° phase signal splitter
Frequency Bandwidth	1616 to 1626.5 MHz
Polarization	RHCP
Gain flatness	≤1 dB, from 1616 to 1626.5 MHz
VSWR (at antenna)	<1.5:1
Return Loss (10 dB bandwidth)	<-20 MHz
ESD Circuit protection	15 KV air discharge

Mechanicals & Environmental

Mechanical Size	50 mm dia. x 7.8 mm H
Connectors	Male, SMA straight, MCX right angle or MMCX right angle, other connectors optional
Cable	RG174 / 15 cm, custom lengths optional
Operating Temp. Range	-40 to +85 °C
Weight	100 g
Attachment Method	Adhesive or screw mount
Environmental	RoHS compliant
Shock	Vertical axis: 50 G, other axes: 30 G
Vibration	3 axis, sweep = 15 min, 10 to 200 Hz sweep: 3 G
Warranty	One year – parts and labour

Ordering Information

TW2605 – Iridium™ antenna, 15cm cable, SMA Male	32-2605-0
TW2605 – Iridium™ antenna, 15cm cable, MCX R/A	32-2605-5
TW2605 – Iridium™ antenna, 15cm cable, MMCX R/A	32-2605-6

Please contact Tallysman Wireless for additional information

Tallysman Wireless Inc

106 Schneider Road, Unit 3
Ottawa ON K2K 1Y2 Canada
Tel 613 591 3131
Fax 613 591 3121
sales@tallysman.com

The information provided herein is intended as a guide only and is subject to change without notice. This document is not to be regarded as a guarantee of performance. Tallysman Wireless Inc. hereby disclaims any or all warranties and liabilities of any kind. © 2010 Tallysman Wireless Inc. All rights reserved.