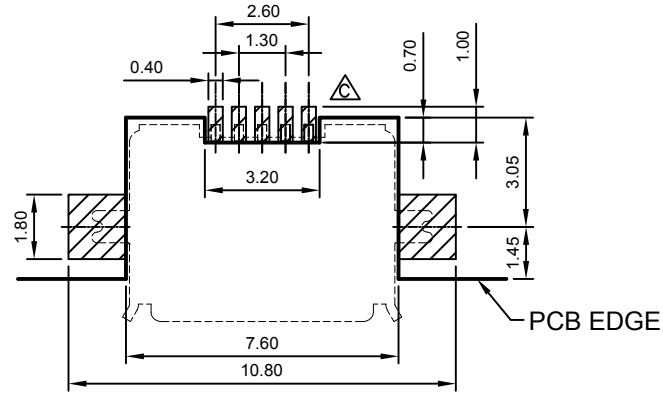
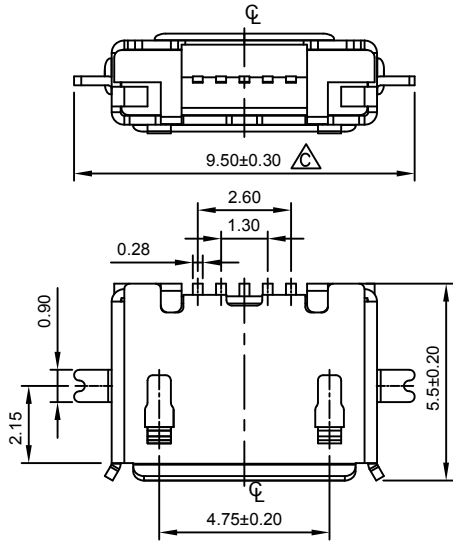
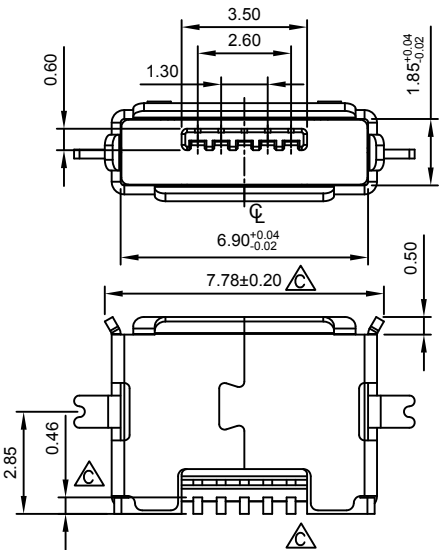
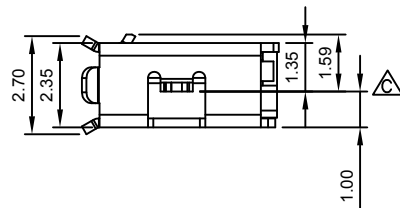


Designed to comply with physical, electrical and environmental requirements of Micro USB Standard (USB2.0), A/B types support USB On-The-Go (OTG) interface.



RECOMMENDED P.C.B LAYOUT
GENERAL TOLERANCE: ±0.05

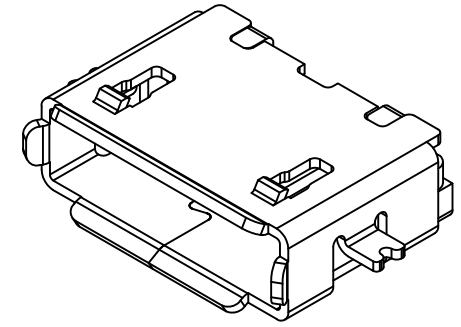
AS VIEWED FROM COMPONENT SIDE
 Solder Area
 Component Outline



Ordering Grid
USB3095 - **30** - **A** **REQUEST SAMPLES AND QUOTATION**

Contact Plating
30 = 30u" Gold

Packing Options
A = Tape & Reel
(1.5K per Reel)



Specifications 规格:

Materials 材料:

Plastic Housing 塑胶外壳: LCP, UL94V-0, Black, LCP, UL94V-0 黑色
 Contact Terminal 接触端子: Copper Alloy 铜合金
 Metallic Shell 金属外壳: Stainless Steel 不锈钢

Plating 电镀:

Underplating 底层电镀: 50μ" Nickel, 50μ" 镍
 Finish 表面处理: Contact Area 接触面积: 30μ" Gold plating, 30μ" 镀金
 Solder Tails 焊接末端: Gold Flash 镀金
 Metallic Shell 金属外壳: Matte Tin 雾锡

Electrical 电气规格:

Voltage Rating 电压额定值: 100 V AC
 Current Rating 电流额定值: 1.0A AC/DC
 Operating Temperature 工作温度: -25°C to +85°C
 Contact Resistance 接触电阻值: 30mΩ Max.
 Insulating Resistance 绝缘电阻值: 1000MΩ Min.
 Dielectric Withstand Voltage 耐电压: 250V AC/Minute

Mechanical 机械性规格:

Mating Force 插入力: 35N Max.
 Unmating Force 拔出力: 8N Min.
 Durability 耐久性: 10,000 Cycles 次插拔

By	SA	ASE	ASE
DETAIL	DRAWING RELEASE	CORRECTION TO PCB DIM.	PCN: USB3095-001
REV DATE	A 04/04/11	B 03/10/11	C 29/02/12

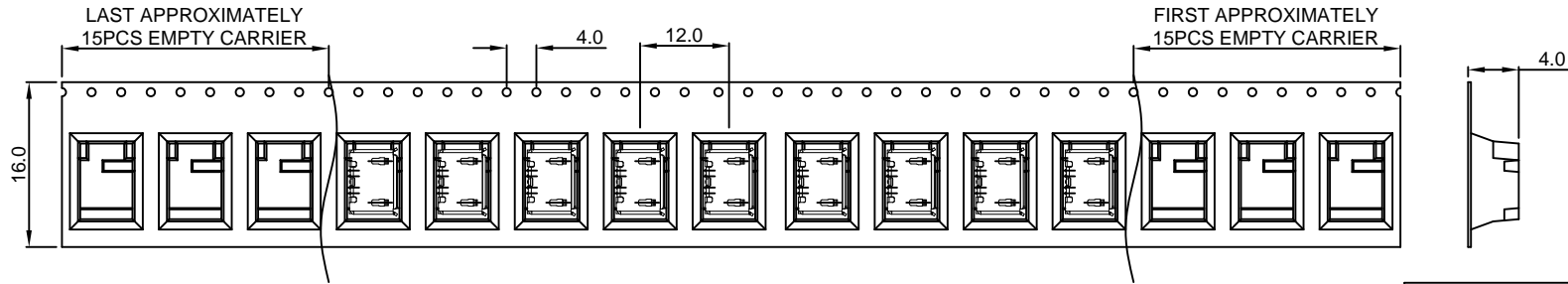


Tolerances (Except as noted)		Part Number:-	Date:-
Dimensions in mm		USB3095	04 APR 11
X.X ± 0.3	X.X° ± 2°	Description:-	
X.XX ± 0.20	X.XX° ± 1°	μ USB RECEPTACLE, TYPE AB, MID MOUNT SMT, R/A, BOTTOM MOUNT, OFFSET 1.59MM, WITHOUT PEG	
X.XXX ± 0.10	X.XXX° ± 0.5°	© THIS DRAWING IS CONFIDENTIAL AND MUST NOT BE COPIED OR DISCLOSED WITHOUT WRITTEN CONSENT	
Third Angle Projection		Scale	Revision
		NTS	C
		Material	Drawn by
		See Note	SA
		E & OE	Sheet No.
			1/2

GCT

www.globalconnectortechnology.com

Global Connector Technology Ltd. - USB3095: Micro USB Receptacle, Type AB, Mid Mount SMT, Horizontal, Bottom Mount (Standard), Offset 1.59mm, without Peg

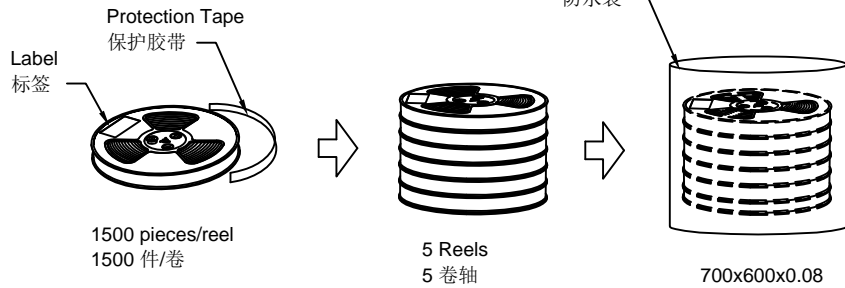
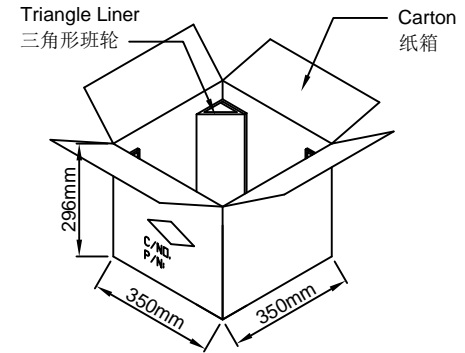
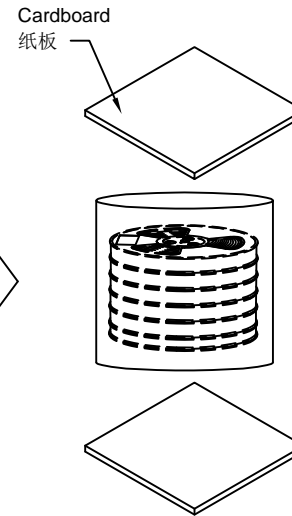
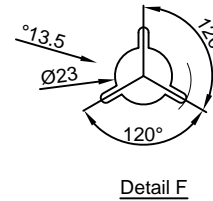
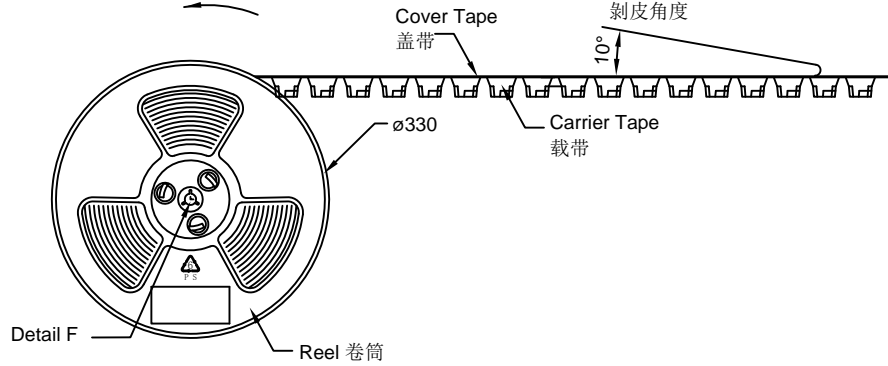


Products P/N	PCS/Reel	Reels/Carton	PCS/Carton
USB3095-30-A	1500	5	7500

Notes注意:

1. Peeling off force of top tape: 0.1-1.3N
2. Part Conforms to EIA-481-C Standards 产品符合EIA-481-C标准
3. All dimensions in millimeters 所有尺寸均是毫米
4. 10 sprocket hole pitch cumulative tolerance±0.2mm

I/O Direction
卷盤繞逆時針方向轉動



By	SA	ASE	ASE
DETAIL	DRAWING RELEASE	CORRECTION TO PCB DIM.	PCN: USB3095-001
REV DATE	A 04/04/11	B 03/10/11	C 29/02/12



Tolerances (Except as noted)	Part Number:-	Date:-
Dimensions in mm	USB3095	04 APR 11
	Description:-	
	μ USB RECEPTACLE, TYPE AB, MID MOUNT SMT, R/A, BOTTOM MOUNT, OFFSET 1.59MM, WITHOUT PEG	
Third Angle Projection	© THIS DRAWING IS CONFIDENTIAL AND MUST NOT BE COPIED OR DISCLOSED WITHOUT WRITTEN CONSENT	

GCT

www.globalconnectortechology.com

Scale NTS	Revision C	Material See Note	Drawn by SA	E & OE	Sheet No. 2/2
-----------	------------	-------------------	-------------	--------	---------------