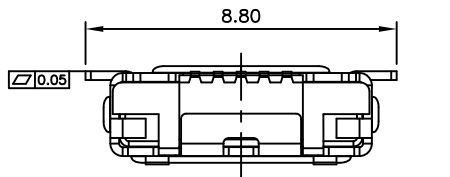
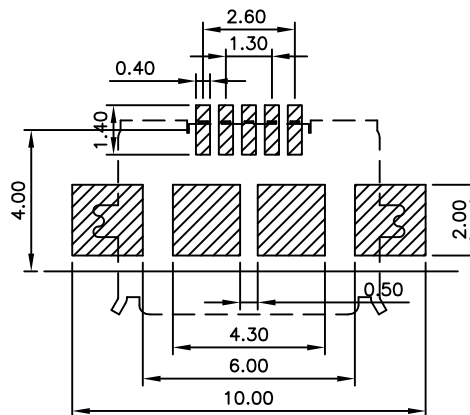
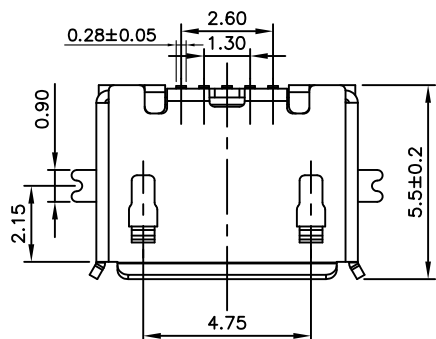


Global Connector Technology Ltd. - USB3085: Micro USB Receptacle, Type AB, Surface Mount, Horizontal, Bottom Mount (Standard), Without Peg



Designed to comply with physical, electrical and environmental requirements of Micro USB Standard (USB2.0), A/B types support USB On-The-Go (OTG) interface.

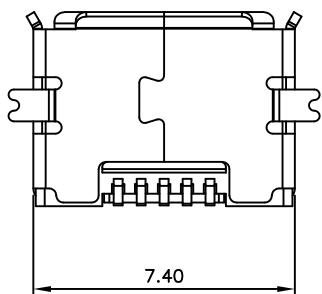
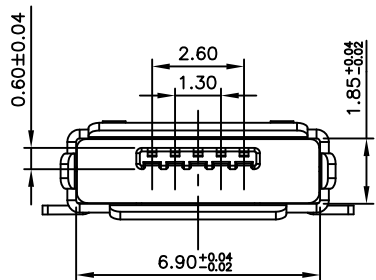
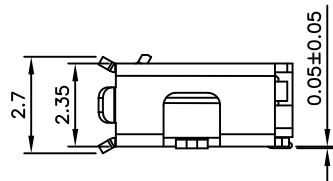


RECOMMENDED P.C.B LAYOUT

GENERAL TOLERANCE: ±0.05

AS VIEWED FROM COMPONENT SIDE

- Solder Area
- Component Outline

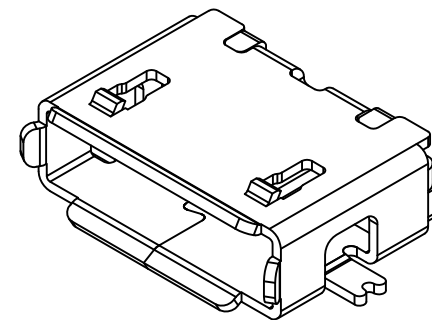


Ordering Grid



Contact Plating
30 = 30u" Gold

Packing Options
A = Tape & Reel
(1.5K per Reel)



Specifications 规格:

Materials 材料:

Plastic Housing 塑胶外壳: LCP, UL94V-0, Black, LCP, UL94V-0 黑色
Contact Terminal 接触端子: Copper Alloy 铜合金
Metallic Shell 金属外壳: Stainless Steel 不锈钢

Plating 电镀:

Underplating 底层电镀: 50u" Nickel, 50u" 镍
Finish 表面处理: Contact Area 接触面积: 30u" Gold plating, 30u" 镀金
Solder Tails 焊接末端: Gold Flash 镀金
Metallic Shell 金属外壳: Matte Tin 雾锡

Electrical 电气规格:

Voltage Rating 电压额定值: 100 V AC
Current Rating 电流额定值: Signal(Pins 2,3,4)信号: 1.0A. $\triangle B$
Power (Pins 1,5) 电源: 1.8A.
Operating Temperature 工作温度: -25°C to +85°C
Contact Resistance 接触电阻值: 30mΩ Max.
Insulating Resistance 绝缘电阻值: 1000MΩ Min.
Dielectric Withstand Voltage 耐电压: 250V AC/Minute

Mechanical 机械性规格:

Mating Force 插入力: 35N Max.
Unmating Force 拔出力: 8N Min.
Durability 耐久性: 10,000 Cycles 次插拔

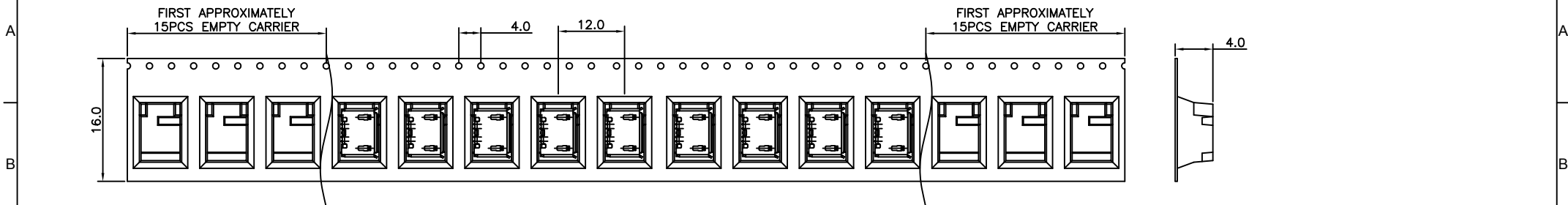
By	SA	CM
DETAIL	DRAWING RELEASE	DRAWING UPDATE
REV DATE	A 04/04/11	B 26/10/11



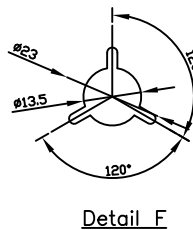
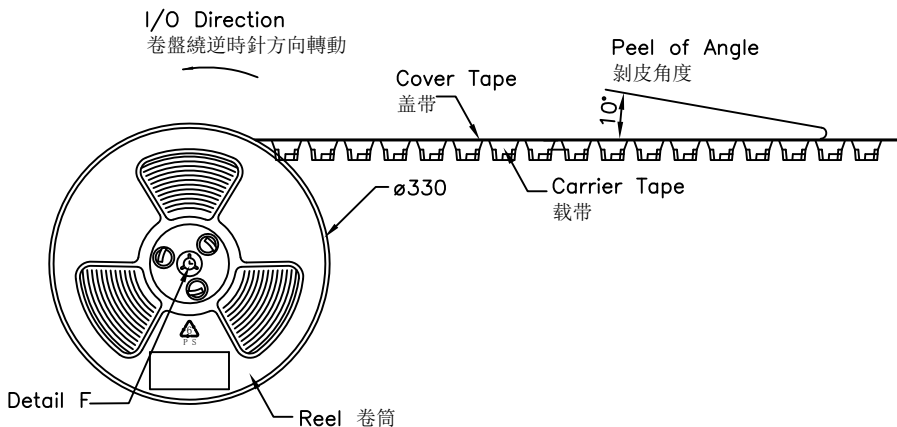
Tolerances (Except as noted)	Part Number:- USB3085	Date:- 04 APR 11
Dimensions in mm	Description:- μ USB RECEPTACLE, TYPE AB, SURFACE MOUNT, HORIZONTAL, BOTTOM MOUNT, WITHOUT PEG	
X.X ± 0.3	X.X' ± 2"	
X.XX ± 0.20	X.XX' ± 1"	
X.XXX ± 0.10	X.XXX' ± 0.5"	
Third Angle Projection	THIS DRAWING IS CONFIDENTIAL AND MUST NOT BE COPIED OR DISCLOSED WITHOUT WRITTEN CONSENT	

<h1>GCT</h1>				
www.globalconnectortechology.com				
Scale NTS	Revision B	Material See Note	Drawn by SA	Sheet No. E & OE 1/2

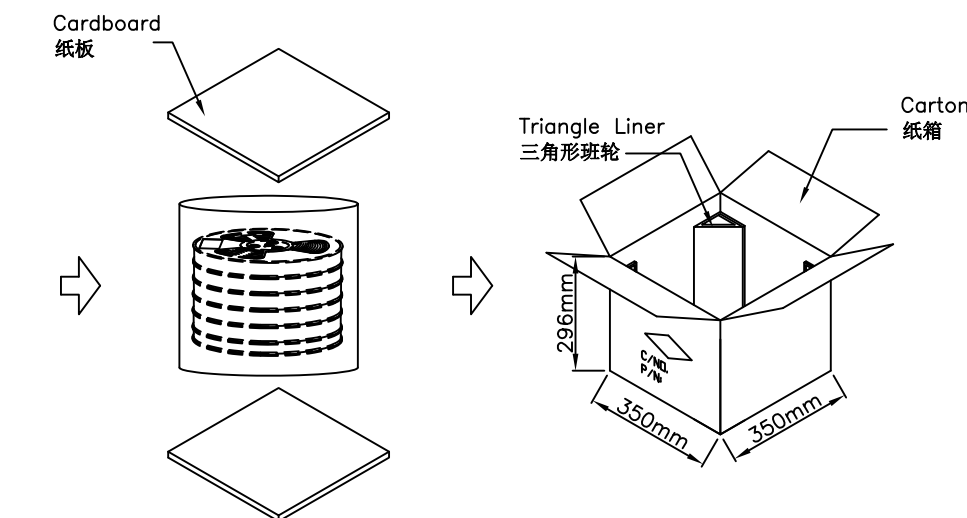
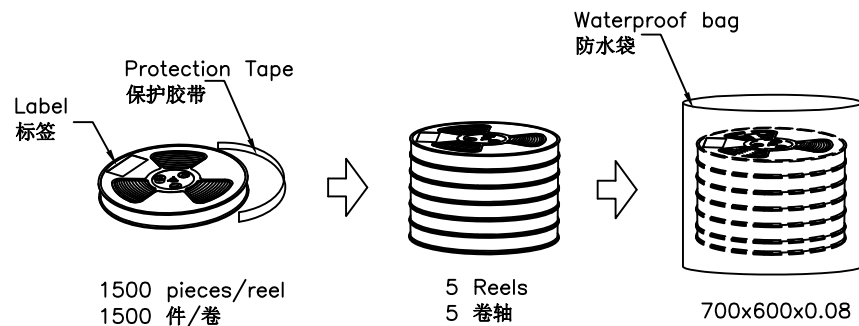
Global Connector Technology Ltd. - USB3095: Micro USB Receptacle, Type AB, Surface Mount, Horizontal, Bottom Mount (Standard), without Peg



Products P/N	PCS/Reel	Reels/Carton	PCS/Carton
USB3085-30-A	1500	5	7500



- Notes 注意:
1. Peeling off force of top tape: 0.1-1.3N
 2. Part Conforms to EIA-481-C Standards 产品符合EIA-481-C标准
 3. All dimensions in millimeters 所有尺寸均是毫米
 4. 10 sprocket hole pitch cumulative tolerance±0.2mm



By	SA	CM
DETAIL	DRAWING RELEASE	DRAWING UPDATE
REV DATE	A 04/04/11	B 26/10/11



Tolerances (Except as noted)	Part Number:- USB3085	Date:- 04 APR 11
Dimensions in mm	Description:- μ USB RECEPTACLE, TYPE AB, SURFACE MOUNT, HORIZONTAL, BOTTOM MOUNT, WITHOUT PEG	
Third Angle Projection	© THIS DRAWING IS CONFIDENTIAL AND MUST NOT BE COPIED OR DISCLOSED WITHOUT WRITTEN CONSENT	

GCT

www.globalconnectortechology.com

Scale	Revision	Material	Drawn by	Sheet No.
NTS	B	See Note	SA	E & OE 2/2